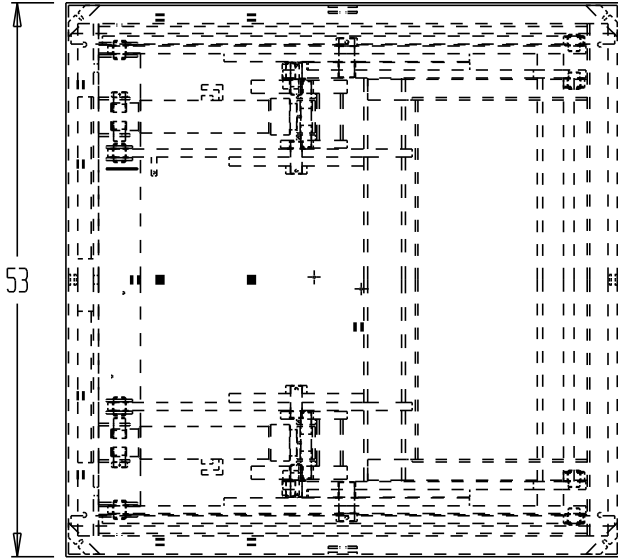
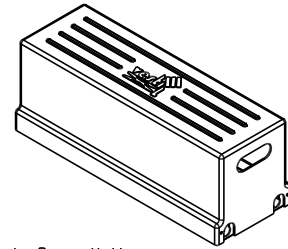


LOW PROFILE SCISSORS TABLE - EHLTX-5353-3-39



PLEASE CIRCLE SPECIFICATIONS:

POWER	AC	DC (12V)	AIR/OIL	
MOTOR VOLTAGE	115	208	230	460
DEDICATED CIRCUIT REQUIRED				
MOTOR PHASE	SINGLE		THREE	
CONTROL	HAND		*FOOT	
* BATTERY CHRG.	REMOTE		ON BOARD	
* CHRG. INDICATOR	YES		NO	



Remote Power Unit
32 1/2" x 12" x 12 1/2" (L x W x H)
with 8' hose & cable

* STANDARD OPTIONS

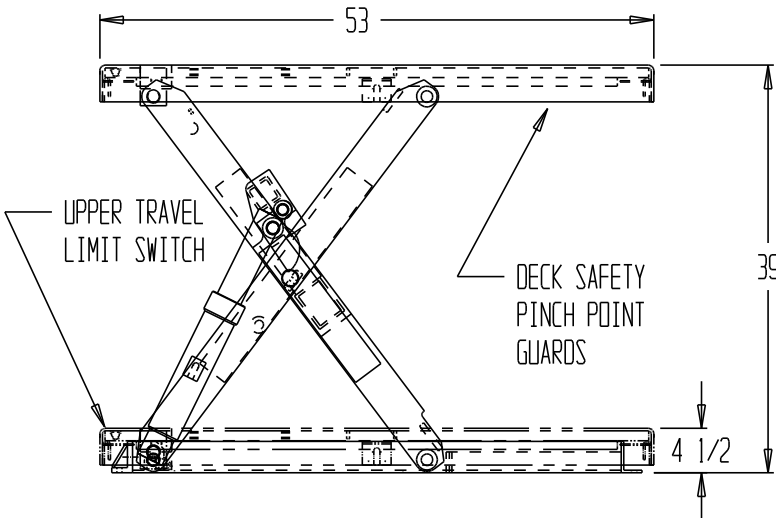
- APPROACH RAMP WITH 32" WIDE CROWN ROLLER
- 48" LONG LEVEL PLATFORM FOR RAMP
- NEMA-4 FOOT CONTROL WITH GUARD
- ACCORDIAN SKIRTING (FACTORY INSTALLED)
- ACCORDIAN SKIRTING (CUSTOMER INSTALLED)
- 48" DIA. THIN SPIN CAROUSEL

(MOST DECK ADDITIONS DERATE THE TABLE BY AT LEAST 250 LBS)

Deck tolerances +/- 1/2"

Table height tolerances +/- 1/2"

Deck Flatness ± 1/4"



STANDARD FEATURES

MODEL NUMBER EHLTX-5353-3-39
 PLATFORM WIDTH- 53"
 PLATFORM LENGTH- 53"
 PLATFORM RAISED HEIGHT- 39"
 PLATFORM LOWERED HEIGHT- 4 1/2"
 CAPACITY- 3,000 LBS
 CONTROL- -HAND ON 8' CORD
 24 VAC CONTROL VOLTAGE

Any additions, deletions or omissions must be corrected on this drawing, as this drawing will be considered all inclusive.

All graphics provided are for reference only. If certain dimensions are critical please verify those dimensions with your salesperson

APPROVAL

I, THE UNDERSIGNED, AGREE THAT THE PRODUCT AS REPRESENTED SATISFIES DESIGN & DIMENSION REQUIREMENTS. I ALSO ACKNOWLEDGE MY DUTY TO CONFIRM PRODUCT & INSTALLATION COMPLIANCE WITH ALL APPLICABLE FEDERAL, STATE AND LOCAL REGULATIONS & STANDARDS.

ALL SPECIAL UNITS ARE NON-RETURNABLE

[] As drawn [] As marked

Signed: _____ Date: _____

LEAD TIME WILL START UPON RECEIPT OF SIGNED APPROVAL DRAWING

DISTRIBUTOR'S NAME: VESTIL MFG		P.O.#: _
DRAWN BY: _____		W.O.#: _
DATE: _	SALES: _	
REFERENCE: _	SCALE: 1:18	DRWG./FILE NAME:
QUOTED LEADTIME: _	QUOTE #: _	27-007-003-006