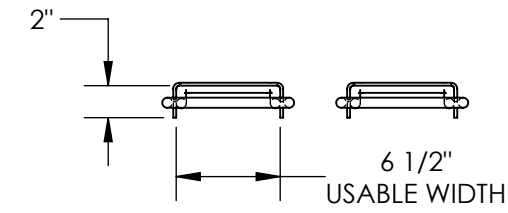
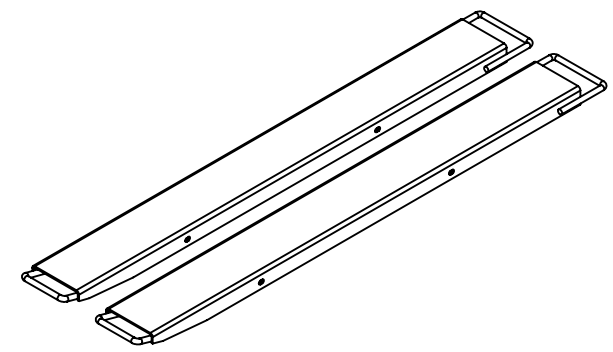
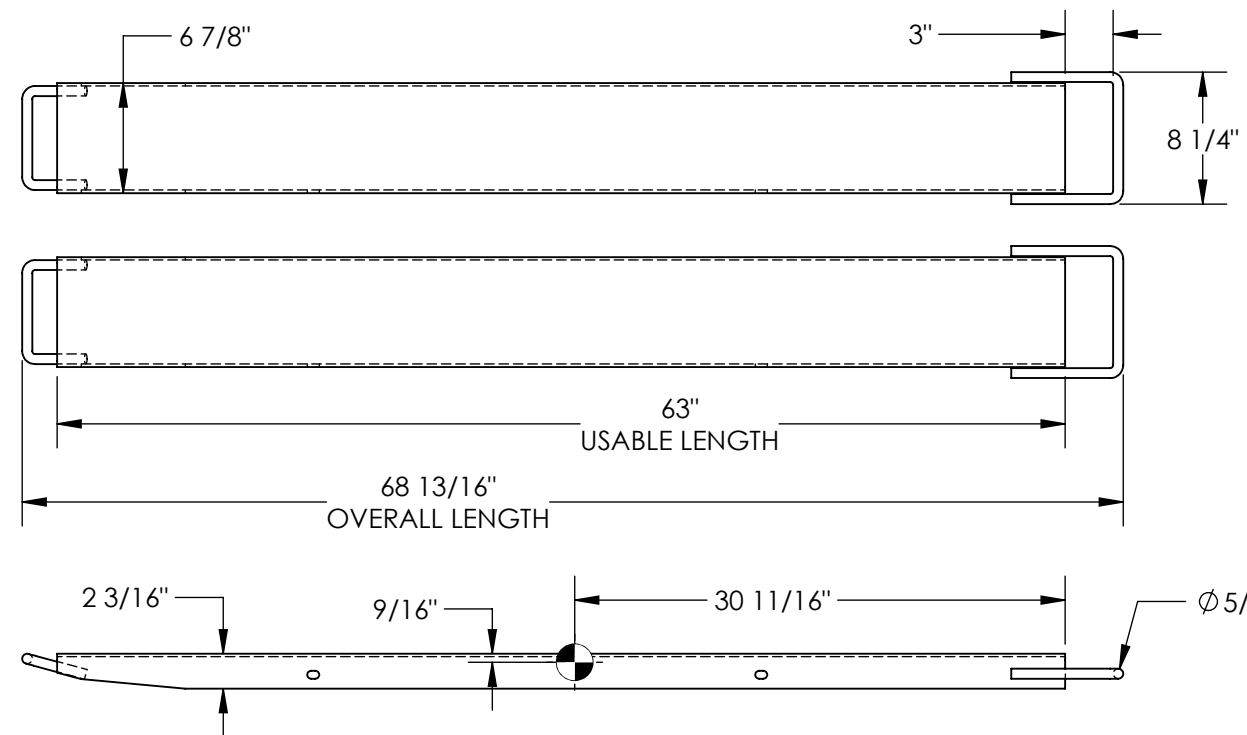


# FORK EXTENSION, HIGH STRENGTH - FE-HS-6-63

APPROX WEIGHT: 75 lbs.  
DOES NOT INCLUDE WEIGHT OF POWER OR PACKAGING!!!

\*\*\* ANY ADDITIONS, DELETIONS, OR OMISSIONS MUST BE CORRECTED ON THIS DRAWING AS THIS DRAWING WILL BE CONSIDERED ALL INCLUSIVE \*\*\*

ALL GRAPHICS PROVIDED ARE FOR REFERENCE ONLY. IF CERTAIN DIMENSIONS ARE CRITICAL PLEASE VERIFY THOSE DIMENSIONS WITH YOUR SALESPERSON



## STANDARD FEATURES

MODEL NUMBER IS FE-HS-6-63  
 FORK EXTENSION WIDTH: 6 7/8"  
 OVERALL WIDTH W/ LOOP: 8 1/4"  
 USABLE WIDTH: 6 1/2"  
 OVERALL LENGTH: 68 13/16"  
 USABLE LENGTH: 63"  
 FITS 6" WIDE X 2 1/2" MAX. THICKNESS FORK  
 SOLID STEEL CONSTRUCTION  
 TOUGH BAKED IN POWDER COATED YELLOW FINISH  
 APPROX. WEIGHT / LOST LOAD = 75 LBS. PER PAIR  
 MINIMUM EFFECTIVE THICKNESS = LESS THAN 1"  
 CAPACITY = 4,000 # PER PAIR, EVENLY DISTRIBUTED  
 FORK EXTENSIONS DO NOT INCREASE THE LOAD  
 CENTER OF EXISTING FORK TRUCK.  
 NEVER EXCEED LOAD CENTER RATING PER FORK  
 TRUCK MANUFACTURER'S GUIDELINES.  
 DO NOT USE THESE FORK EXTENSIONS IF LOAD WILL  
 EXCEED FORK TRUCK MANUFACTURER'S LOAD  
 CENTER RATING.  
 FORK EXTENSIONS MUST NOT EXCEED 150%  
 ORIGINAL FORK LENGTH.

## SPECIAL FEATURES

NONE

DIMENSION TOLERANCE ± 1/4"

**APPROVAL**

I, THE UNDERSIGNED, AGREE THAT THE PRODUCT AS REPRESENTED SATISFIES DESIGN AND DIMENSION REQUIREMENTS. I ALSO ACKNOWLEDGE MY DUTY TO CONFIRM PRODUCT AND INSTALLATION COMPLIANCE WITH ALL APPLICABLE FEDERAL, STATE AND LOCAL REGULATIONS AND STANDARDS.

**UNITS REQUIRING APPROVAL DRAWINGS OR MODIFIED ARE NON-RETURNABLE**

As drawn       As marked

Signed: \_\_\_\_\_ Date: \_\_\_\_\_

Printed Name: \_\_\_\_\_

LEAD TIME WILL START UPON RECEIPT OF SIGNED APPROVAL DRAWING

DISTRIBUTOR'S NAME:		P.O.#
VESTIL MANUFACTURING		X
DRAWN BY: CRA	DATE: 07/11/2018	W.O.#
REFERENCE: X	SCALE: 1:12	X
QUOTED LEAD TIME: X	QUOTE #	SALES: X
	X	FILE NAME:
		08-007-432