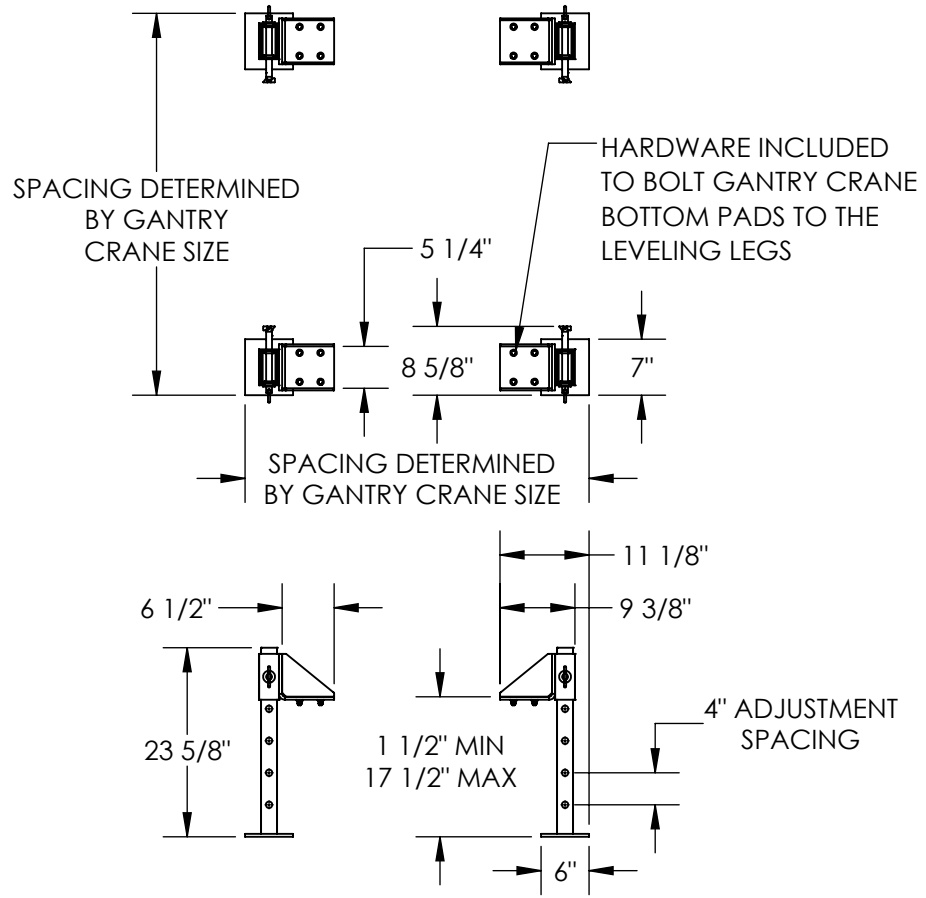


LEVELING LEGS FOR ALUMINUM GANTRY, RETROFIT - FHA-4-ALO-RF

APPROX WEIGHT: 51.81 lbs.
 DOES NOT INCLUDE WEIGHT OF POWER OR PACKAGING!!!

*** ANY ADDITIONS, DELETIONS, OR OMISSIONS MUST BE CORRECTED ON THIS DRAWING AS THIS DRAWING WILL BE CONSIDERED ALL INCLUSIVE ***

ALL GRAPHICS PROVIDED ARE FOR REFERENCE ONLY. IF CERTAIN DIMENSIONS ARE CRITICAL PLEASE VERIFY THOSE DIMENSIONS WITH YOUR SALESPERSON



CASTINGS AND LEGS SHOWN FOR REFERENCE (NOT INCLUDED IN ASM.)

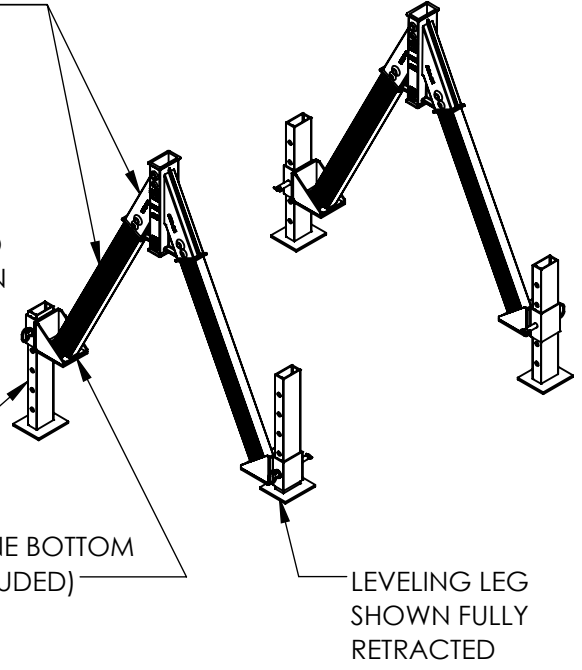
3D VIEW FOR REFERENCE

LEVELING LEGS MAY BE INDIVIDUALLY ADJUSTED TO LEVEL THE CRANE ON UNEVEN TERRAIN

LEVELING LEG SHOWN FULLY EXTENDED

(GANTRY CRANE BOTTOM PAD, NOT INCLUDED)

LEVELING LEG SHOWN FULLY RETRACTED



DIMENSION TOLERANCE ± 1/4"

STANDARD FEATURES

- MODEL NUMBER IS FHA-4-ALO-RF
- OVERALL WIDTH IS 11 1/8"
- USABLE WIDTH IS 6 1/2"
- OVERALL LENGTH IS 8 5/8"
- USABLE LENGTH IS 5 1/4"
- HEIGHT TO BOTTOM OF GANTRY PAD IS ADJUSTABLE FROM 1 1/2" TO 17 1/2"
- OVERALL HEIGHT IS 23 5/8"
- ALL ALUMINUM WELDED CONSTRUCTION
- MAX CAPACITY IS 4,000 LBS. EVENLY DISTRIBUTED

SPECIAL FEATURES

NONE

A
P
P
R
O
V
A
L

I, THE UNDERSIGNED, AGREE THAT THE PRODUCT AS REPRESENTED SATISFIES DESIGN AND DIMENSION REQUIREMENTS. I ALSO ACKNOWLEDGE MY DUTY TO CONFIRM PRODUCT AND INSTALLATION COMPLIANCE WITH ALL APPLICABLE FEDERAL, STATE AND LOCAL REGULATIONS AND STANDARDS.

ANY MODIFIED UNITS ARE NON-RETURNABLE

[] As drawn [] As marked

Signed: _____ Date: _____

Printed Name: _____

LEAD TIME WILL START UPON RECEIPT OF SIGNED APPROVAL DRAWING

FOR INTERNAL USE ONLY PROJECT SIGN OFF	
SALES	
ENG.	
FAB.	
POWER	

DISTRIBUTOR'S NAME:		P.O.#
VESTIL MANUFACTURING		X
DRAWN BY: MTS		DATE: 11/11/2019
REFERENCE: X		SCALE: 1:24
QUOTED LEAD TIME: X		QUOTE # X
		W.O.# X
		SALES: X
		FILE NAME: 28-007-441-003