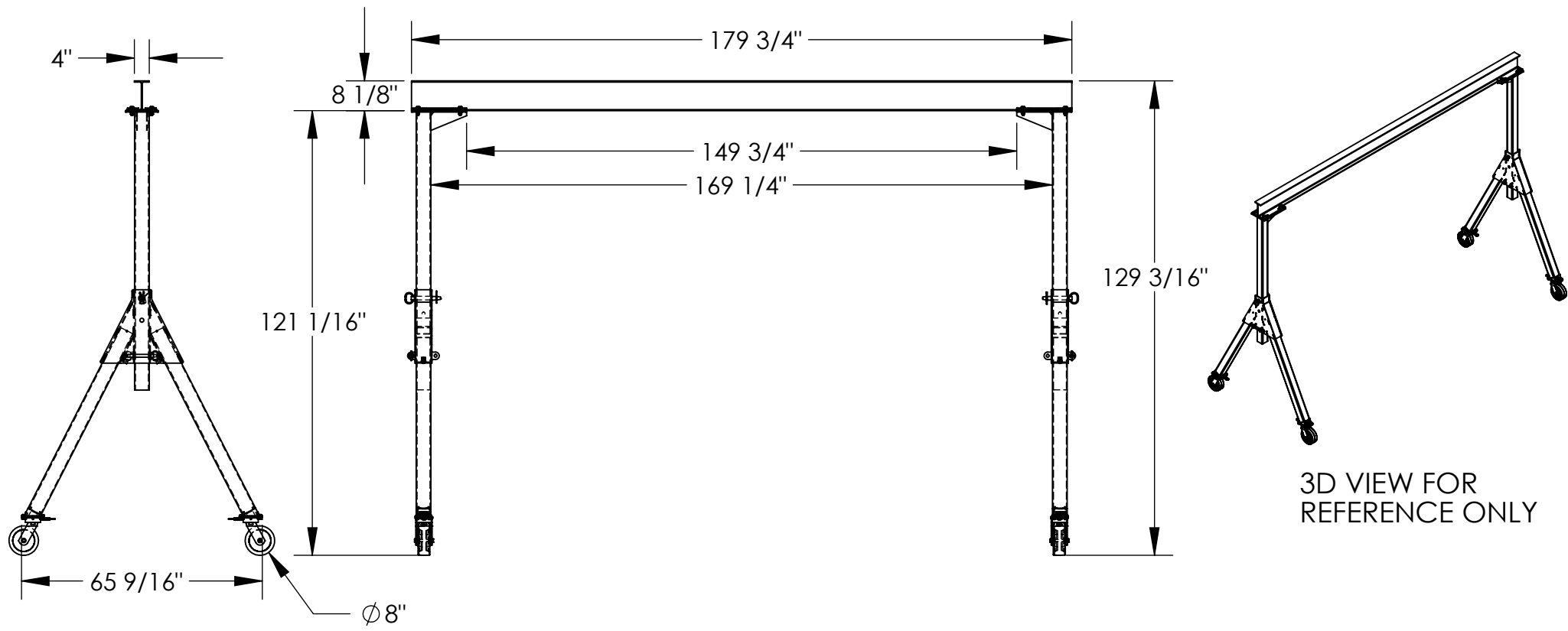


FIXED STEEL GANTRY CRANE - KNOCKDOWN - FHSN-4-15

APPROX WEIGHT: 813.89 lbs. DOES NOT INCLUDE WEIGHT OF POWER OR PACKAGING!!!

*** ANY ADDITIONS, DELETIONS, OR OMISSIONS MUST BE CORRECTED ON THIS DRAWING AS THIS DRAWING WILL BE CONSIDERED ALL INCLUSIVE ***
 ALL GRAPHICS PROVIDED ARE FOR REFERENCE ONLY. IF CERTAIN DIMENSIONS ARE CRITICAL PLEASE VERIFY THOSE DIMENSIONS WITH YOUR SALESPERSON



3D VIEW FOR REFERENCE ONLY

DIMENSION TOLERANCE $\pm 1/4$ "

STANDARD FEATURES

- MODEL NUMBER IS FHSN-4-15
- CAPACITY IS 4,000 LBS.
- BASE WIDTH IS $65 \frac{9}{16}$ "
- OVERALL HEIGHT IS $129 \frac{3}{16}$ "
- I-BEAM HEIGHT IS $8 \frac{1}{8}$ "
- I-BEAM FLANGE WIDTH IS 4 "
- OVERALL I-BEAM LENGTH IS $179 \frac{3}{4}$ "
- USABLE I-BEAM LENGTH IS $149 \frac{3}{4}$ "
- UNDER I-BEAM HEIGHT IS $121 \frac{1}{16}$ "
- CASTERS: (4) $\phi 8$ " X 3" WIDE PHENOLIC SWIVEL CASTERS WITH FOUR LOCKING POSITIONS

SPECIAL FEATURES

NONE

APPROVAL

I, THE UNDERSIGNED, AGREE THAT THE PRODUCT AS REPRESENTED SATISFIES DESIGN AND DIMENSION REQUIREMENTS. I ALSO ACKNOWLEDGE MY DUTY TO CONFIRM PRODUCT AND INSTALLATION COMPLIANCE WITH ALL APPLICABLE FEDERAL, STATE AND LOCAL REGULATIONS AND STANDARDS.

UNITS REQUIRING APPROVAL DRAWINGS OR MODIFIED ARE NON-RETURNABLE

[] As drawn [] As marked

Signed: _____ Date: _____

Printed Name: _____

LEAD TIME WILL START UPON RECEIPT OF SIGNED APPROVAL DRAWING

| | | |
|----------------------|---------|------------------|
| DISTRIBUTOR'S NAME: | | P.O.# |
| VESTIL MANUFACTURING | | X |
| DRAWN BY: MTS | | DATE: 02/27/2015 |
| REFERENCE: X | | SCALE: 1:40 |
| QUOTED LEAD TIME: X | QUOTE # | FILE NAME: |
| | X | 28-007-381 |