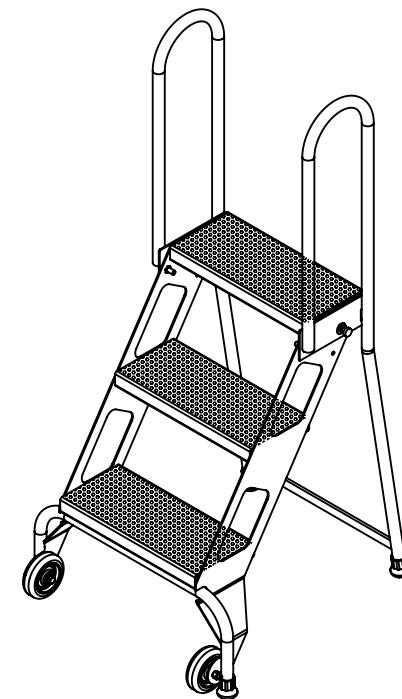
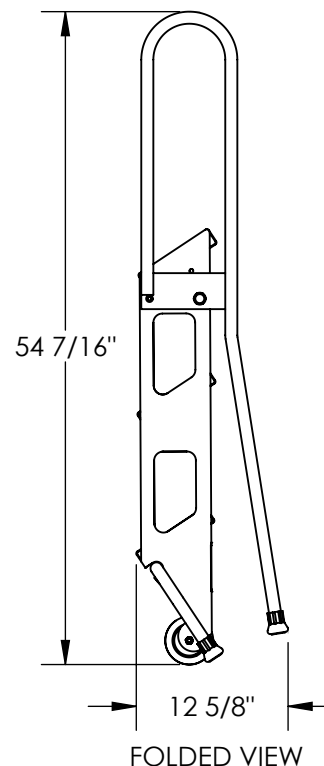
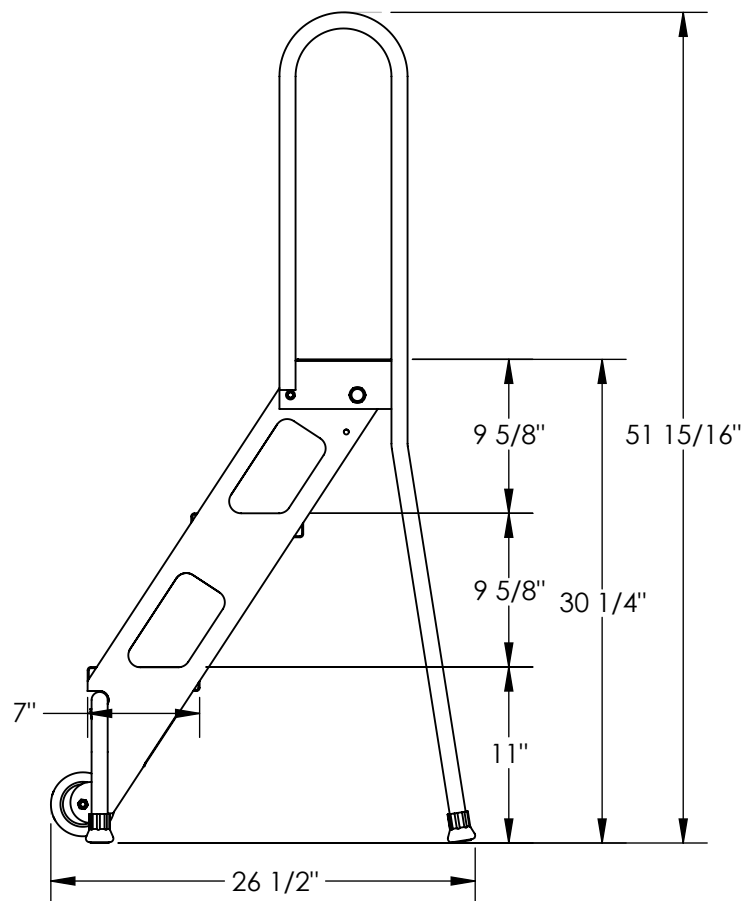
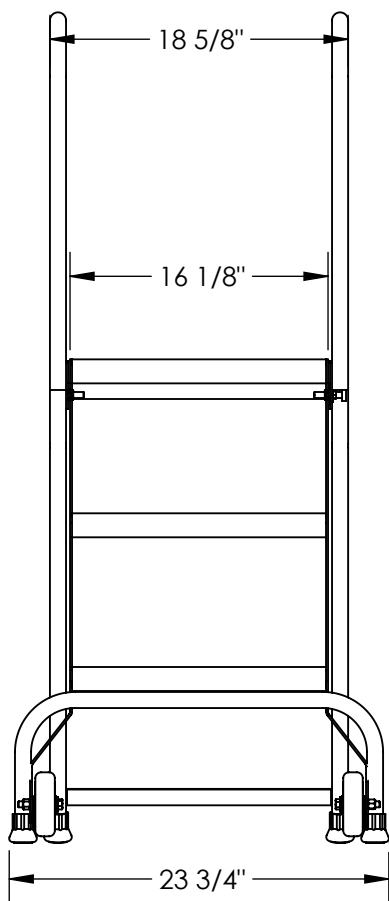


FOLDABLE THREE-STEP LADDER - FLAD-3

APPROX WEIGHT: 37.46 lbs.
 DOES NOT INCLUDE WEIGHT OF POWER OR PACKAGING!!!

*** ANY ADDITIONS, DELETIONS, OR OMISSIONS MUST BE CORRECTED ON THIS DRAWING AS THIS DRAWING WILL BE CONSIDERED ALL INCLUSIVE ***

ALL GRAPHICS PROVIDED ARE FOR REFERENCE ONLY. IF CERTAIN DIMENSIONS ARE CRITICAL PLEASE VERIFY THOSE DIMENSIONS WITH YOUR SALESPERSON



3D VIEW SHOWN FOR REFERENCE ONLY

DIMENSION TOLERANCE $\pm 1/4"$

STANDARD FEATURES

- MODEL NUMBER IS FLAD-3
- OVERALL WIDTH IS 23 3/4"
- USABLE WIDTH IS 18 5/8"
- OVERALL DEPTH IS 26 1/2"
- STEPS USABLE DEPTH IS 7"
- OVERALL HEIGHT IS 51 15/16"
- MAX CAPACITY IS 350 LBS.
- Ø4" X 1-1/4" W POLY-ON POLY WHEELS
- RUBBER STOP CRUTCH TIPS
- 58° CLIMB ANGLE
- TOP STEP HEIGHT IS 30 1/4"
- FOLDED DIMENSIONS IS 23 3/4"W X 12 5/8"D X 54 7/16"H

SPECIAL FEATURES

NONE

APPROVAL

I, THE UNDERSIGNED, AGREE THAT THE PRODUCT AS REPRESENTED SATISFIES DESIGN AND DIMENSION REQUIREMENTS. I ALSO ACKNOWLEDGE MY DUTY TO CONFIRM PRODUCT AND INSTALLATION COMPLIANCE WITH ALL APPLICABLE FEDERAL, STATE AND LOCAL REGULATIONS AND STANDARDS.
ALL SPECIAL UNITS ARE NON-RETURNABLE
 As drawn As marked

Signed: _____ Date: _____

LEAD TIME WILL START UPON RECEIPT OF SIGNED APPROVAL DRAWING

DISTRIBUTOR'S NAME:		P.O.#
VESTIL MANUFACTURING		X
DRAWN BY: ND		W.O.#
DATE: 8/30/12		X
REFERENCE: X	SCALE: 1:12	SALES: X
QUOTED LEAD TIME: X	QUOTE #	FILE NAME:
	X	44-007-353