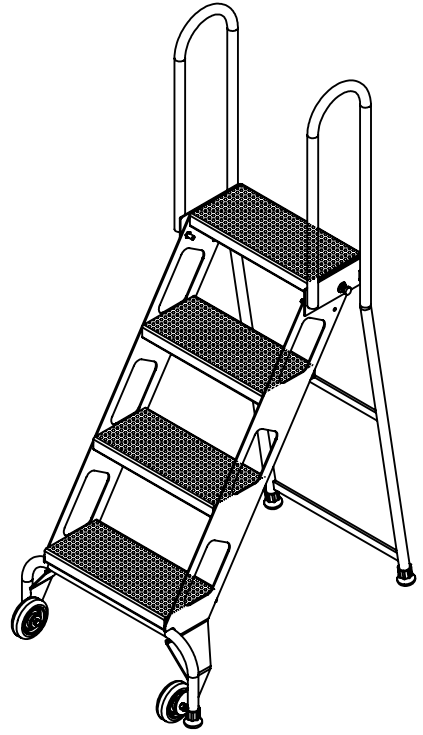
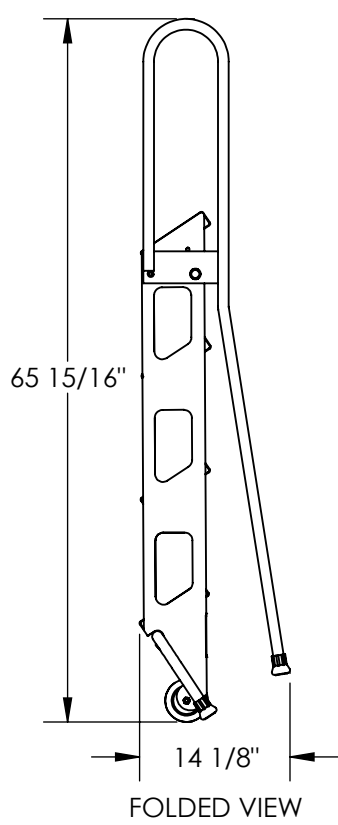
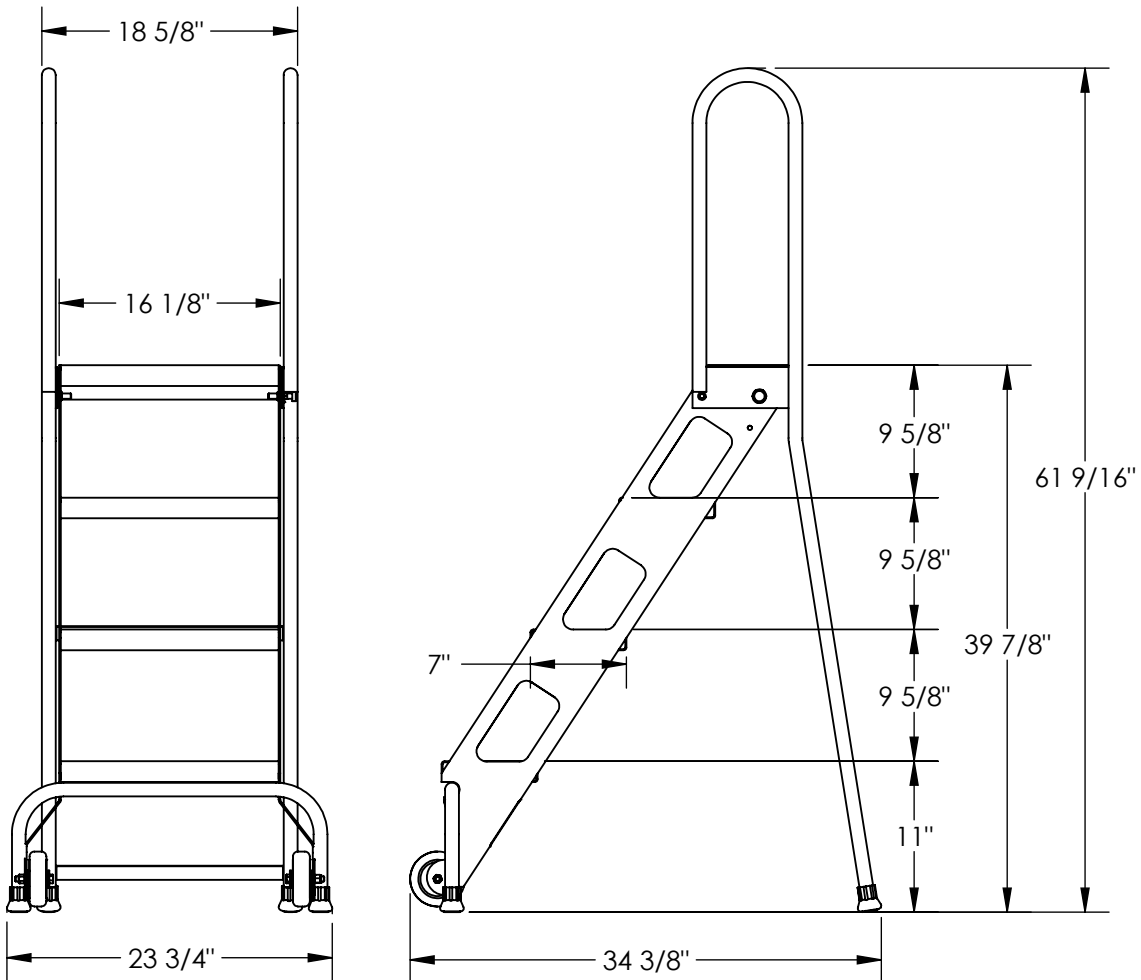


FOLDABLE TWO-STEP LADDER - FLAD-4-SS

*** ANY ADDITIONS, DELETIONS, OR OMISSIONS MUST BE CORRECTED ON THIS DRAWING AS THIS DRAWING WILL BE CONSIDERED ALL INCLUSIVE ***
 ALL GRAPHICS PROVIDED ARE FOR REFERENCE ONLY. IF CERTAIN DIMENSIONS ARE CRITICAL PLEASE VERIFY THOSE DIMENSIONS WITH YOUR SALESPERSON



3D VIEW SHOWN FOR REFERENCE ONLY

DIMENSION TOLERANCE ± 1/4"

STANDARD FEATURES

- MODEL NUMBER IS FLAD-4-SS
- OVERALL WIDTH IS 23 3/4"
- USABLE WIDTH IS 18 5/8"
- OVERALL DEPTH IS 34 3/8"
- STEPS USABLE DEPTH IS 7"
- OVERALL HEIGHT IS 61 9/16"
- MAX CAPACITY IS 350 LBS.
- Ø4" X 1-1/4" W POLY-ON POLY WHEELS
- RUBBER STOP CRUTCH TIPS
- 58° CLIMB ANGLE
- TOP STEP HEIGHT IS 39 7/8"
- CONSTRUCTED OF 304 STAINLESS STEEL
- FOLDED DIMENSIONS ARE 23 3/4"W X 14 1/8"D X 65 15/16"H

SPECIAL FEATURES

NONE

APPROVAL

I, THE UNDERSIGNED, AGREE THAT THE PRODUCT AS REPRESENTED SATISFIES DESIGN AND DIMENSION REQUIREMENTS. I ALSO ACKNOWLEDGE MY DUTY TO CONFIRM PRODUCT AND INSTALLATION COMPLIANCE WITH ALL APPLICABLE FEDERAL, STATE AND LOCAL REGULATIONS AND STANDARDS.

ANY MODIFIED UNITS ARE NON-RETURNABLE

[] As drawn [] As marked

Signed: _____ Date: _____

Printed Name: _____

LEAD TIME WILL START UPON RECEIPT OF SIGNED APPROVAL DRAWING

FOR INTERNAL USE ONLY PROJECT SIGN OFF	
SALES	
ENG.	
FAB.	
POWER	

DISTRIBUTOR'S NAME:		P.O.#
VESTIL MANUFACTURING		X
DRAWN BY: MDP		W.O.#
DATE: 3/26/2018		X
REFERENCE: X	SCALE: 1:14	SALES: X
QUOTED LEAD TIME: X	QUOTE #	FILE NAME:
	X	44-007-354-001