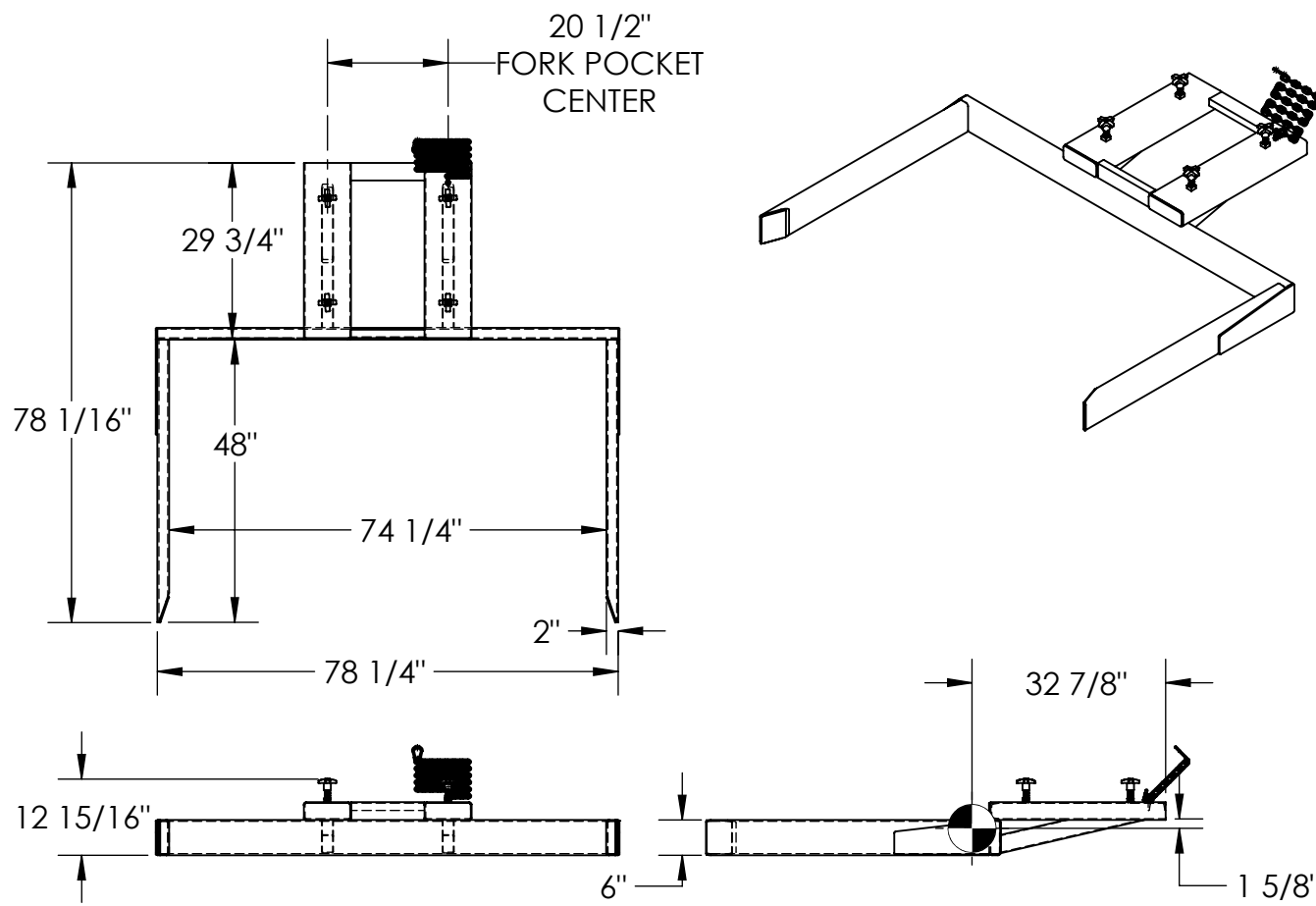


FRONT LOAD DUMPSTER MOVER - FLDM-2-72

APPROX WEIGHT: 287.67 lbs.
 DOES NOT INCLUDE WEIGHT OF POWER OR PACKAGING!!!

*** ANY ADDITIONS, DELETIONS, OR OMISSIONS MUST BE CORRECTED ON THIS DRAWING AS THIS DRAWING WILL BE CONSIDERED ALL INCLUSIVE ***

ALL GRAPHICS PROVIDED ARE FOR REFERENCE ONLY. IF CERTAIN DIMENSIONS ARE CRITICAL PLEASE VERIFY THOSE DIMENSIONS WITH YOUR SALESPERSON



APPROX. WEIGHT / LOST LOAD = 287.67 LBS
 MINIMUM EFFECTIVE THICKNESS = FORK LENGTH - 29 3/4"
 VERTICAL CENTER OF GRAVITY = 1 5/8"
 HORIZONTAL CENTER OF GRAVITY = 32 7/8"
 NEVER EXCEED LOAD CENTER
 RATING PER FORKTRUCK
 MANUFACTURERS GUIDELINES.
 DO NOT USE THIS FORK TRUCK
 ATTACHMENT IF LOAD WILL EXCEED
 FORK TRUCK MANUFACTURER'S
 LOAD CENTER RATING

DIMENSION TOLERANCE ± 1/4"

STANDARD FEATURES

- MODEL NUMBER IS FLDM-2-72
- OVERALL WIDTH IS 78 1/4"
- USABLE WIDTH IS 74 1/4"
- OVERALL LENGTH IS 78 1/16"
- USABLE LENGTH IS 12 15/16"
- OVERALL HEIGHT IS 78 1/16"
- USABLE HEIGHT IS 48"
- MAX CAPACITY IS 2,000LBS
- TOUGH BAKED IN POWDER COAT
- YELLOW FINISH

SPECIAL FEATURES

NONE

APPROVAL	I, THE UNDERSIGNED, AGREE THAT THE PRODUCT AS REPRESENTED SATISFIES DESIGN AND DIMENSION REQUIREMENTS. I ALSO ACKNOWLEDGE MY DUTY TO CONFIRM PRODUCT AND INSTALLATION COMPLIANCE WITH ALL APPLICABLE FEDERAL, STATE AND LOCAL REGULATIONS AND STANDARDS.	
	UNITS REQUIRING APPROVAL DRAWINGS OR MODIFIED ARE NON-RETURNABLE	
	[] As drawn [] As marked	
	Signed: _____	Date: _____
Printed Name: _____		
LEAD TIME WILL START UPON RECEIPT OF SIGNED APPROVAL DRAWING		

DISTRIBUTOR'S NAME:		P.O.#
VESTIL MANUFACTURING		X
W.O.#	DATE: 12/20/2023	X
DRAWN BY: TAL	SCALE: 1:32	SALES: X
REFERENCE: X	QUOTE #	FILE NAME:
QUOTED LEAD TIME: X	X	08-007-502