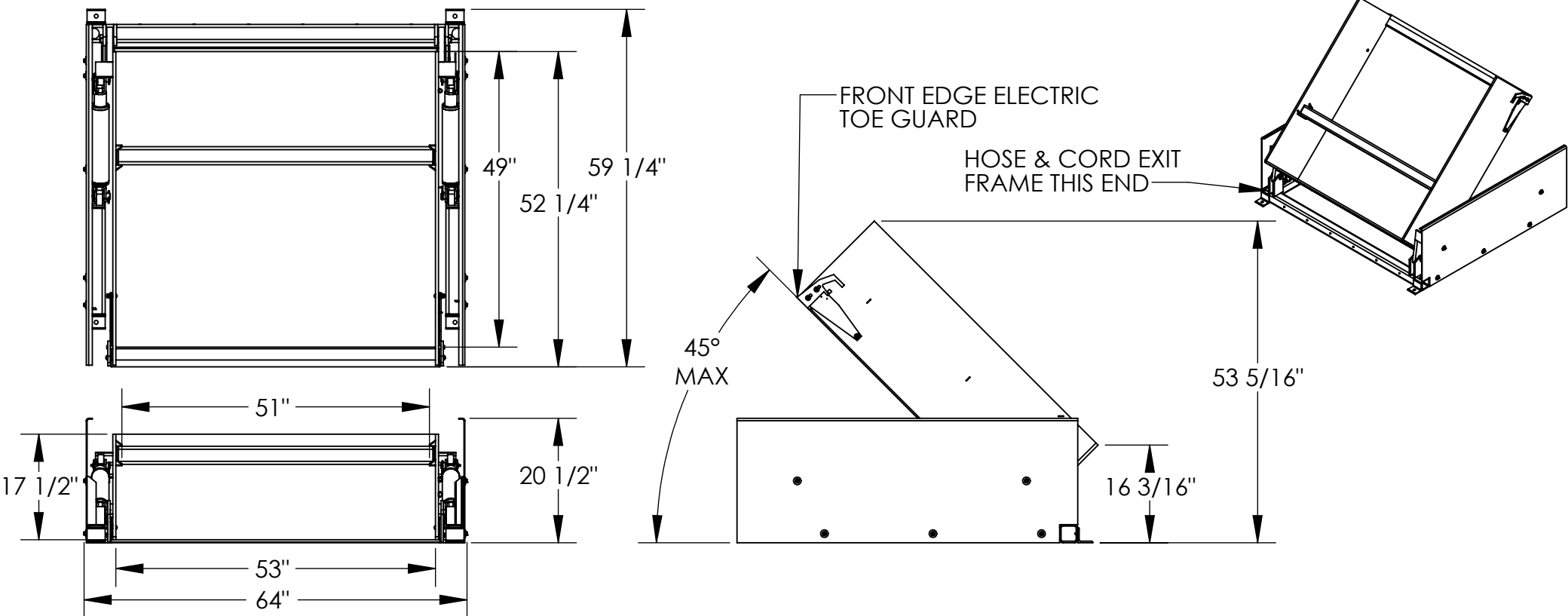


# GROUND LIFT FILTER - GLT-4000

APPROX WEIGHT: 1142.78 lbs.  
 DOES NOT INCLUDE WEIGHT OF POWER OR PACKAGING!!!

\*\*\* ANY ADDITIONS, DELETIONS, OR OMISSIONS MUST BE CORRECTED ON THIS DRAWING AS THIS DRAWING WILL BE CONSIDERED ALL INCLUSIVE \*\*\*

ALL GRAPHICS PROVIDED ARE FOR REFERENCE ONLY. IF CERTAIN DIMENSIONS ARE CRITICAL PLEASE VERIFY THOSE DIMENSIONS WITH YOUR SALESPERSON



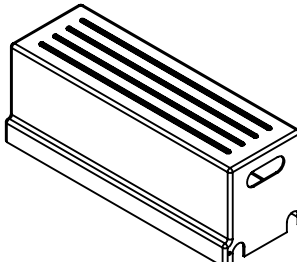
## STANDARD FEATURES

- MODEL NUMBER IS: GLT-4000
- CAPACITY IS 4000 LBS, EVENLY DISTRIBUTED
- USABLE WIDTH IS 51"
- USABLE LENGTH IS 49"
- USABLE LIP HEIGHT IS 17 1/2"
- MAX TILT ANGLE IS 45°
- PLATFORM LOWERED HEIGHT IS 1/2"
- OVERALL LENGTH IS 59 1/4"
- OVERALL WIDTH IS 63 1/2"
- OVERALL HEIGHT IS 20 5/8"
- EXTERNAL POWER UNIT
- CONTROL IS HANDHELD, 2 BUTTON, NEMA 4 PENDANT WITH MINIMUM 8' USABLE COIL CORD
- DURABLE LIQUID PAINT BLUE FINISH W/ YELLOW TOE GUARD

## SPECIAL FEATURES

NONE

REMOTE POWER UNIT:  
 32 1/2" x 12" x 12 1/2" (L x W x H)  
 WITH 8' HOSE & CABLE



PLEASE CIRCLE SPECIFICATIONS:

POWER	AC	<del>DC (12V)</del>	<del>AIR/OIL</del>
MOTOR VOLTAGE	115	208	230 460
DEDICATED CIRCUIT REQUIRED			
MOTOR PHASE	<del>SINGLE</del>	THREE	
CONTROL	HAND	<del>FOOT</del>	

DIMENSION TOLERANCE ± 1/4"

**A P P R O V A L**

I, THE UNDERSIGNED, AGREE THAT THE PRODUCT AS REPRESENTED SATISFIES DESIGN AND DIMENSION REQUIREMENTS. I ALSO ACKNOWLEDGE MY DUTY TO CONFIRM PRODUCT AND INSTALLATION COMPLIANCE WITH ALL APPLICABLE FEDERAL, STATE AND LOCAL REGULATIONS AND STANDARDS.

**UNITS REQUIRING APPROVAL DRAWINGS OR MODIFIED ARE NON-RETURNABLE**

[ ] As drawn [ ] As marked

Signed: \_\_\_\_\_ Date: \_\_\_\_\_

Printed Name: \_\_\_\_\_

LEAD TIME WILL START UPON RECEIPT OF SIGNED APPROVAL DRAWING

DISTRIBUTOR'S NAME:		P.O.#
VESTIL MANUFACTURING		X
DRAWN BY: SJG	DATE: 11/30/2017	W.O.#
REFERENCE: X	SCALE: 1:24	X
QUOTED LEAD TIME: X	QUOTE #	SALES: X
	X	FILE NAME:
		04-007-032