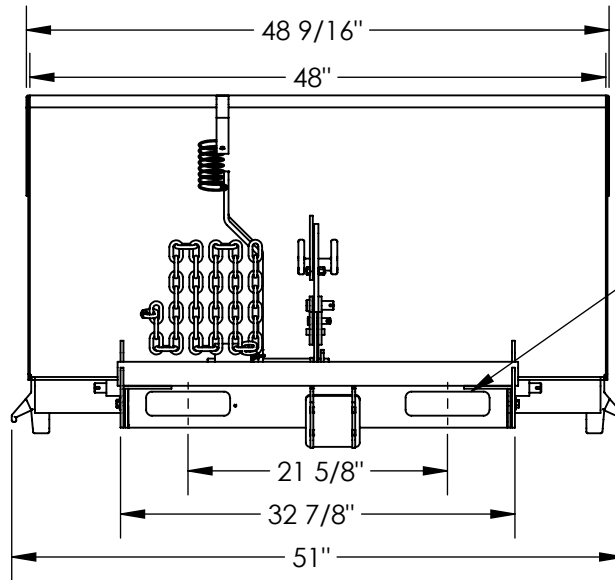


BUMP AND DUMP 90° HOPPER - H-100-MD-BD

APPROX WEIGHT: 402 lbs.
 DOES NOT INCLUDE WEIGHT OF POWER OR PACKAGING!!!

*** ANY ADDITIONS, DELETIONS, OR OMISSIONS MUST BE CORRECTED ON THIS DRAWING AS THIS DRAWING WILL BE CONSIDERED ALL INCLUSIVE ***

ALL GRAPHICS PROVIDED ARE FOR REFERENCE ONLY. IF CERTAIN DIMENSIONS ARE CRITICAL PLEASE VERIFY THOSE DIMENSIONS WITH YOUR SALESPERSON



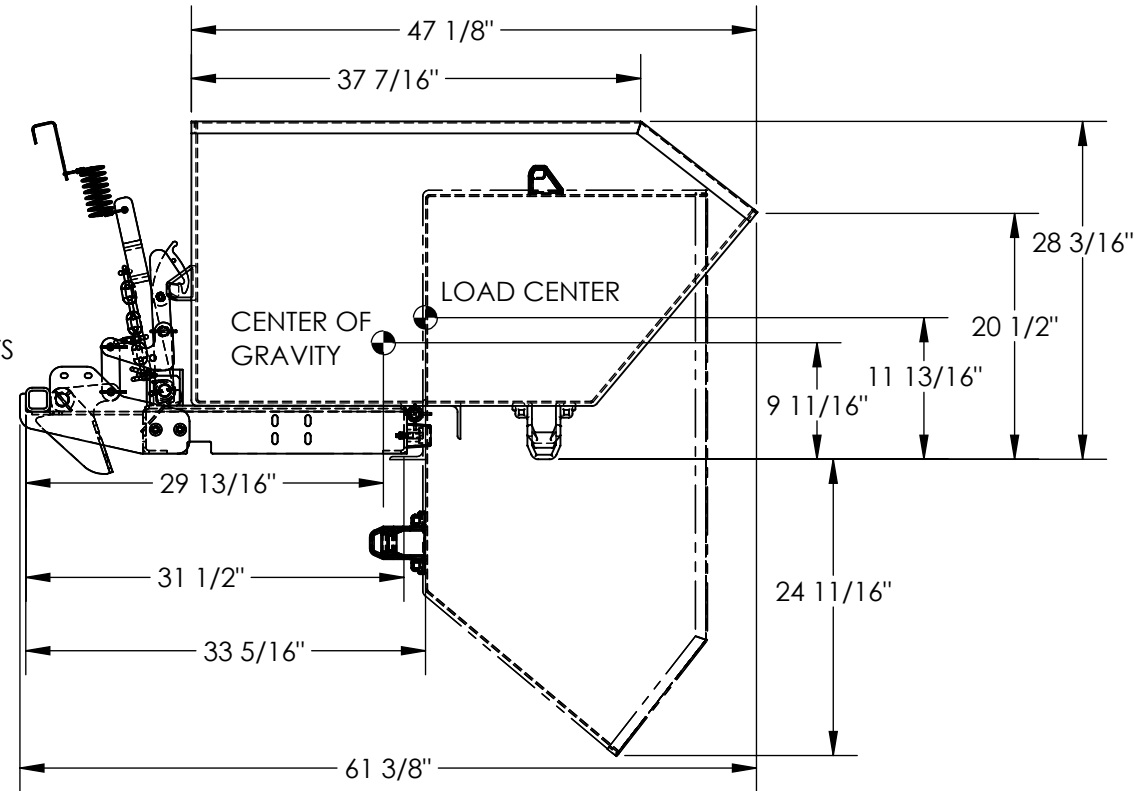
7" X 2" USABLE
 FORK POCKETS

APPROX. WEIGHT / LOST LOAD = 402 LBS.
 MINIMUM EFFECTIVE THICKNESS =
 FORK LENGTH MINUS 31 1/2"

NEVER EXCEED LOAD CENTER
 RATING PER FORKTRUCK
 MANUFACTURERS GUIDELINES.
 DO NOT USE THIS FORK TRUCK
 ATTACHMENT IF LOAD WILL
 EXCEED FORK TRUCK MANUFACTURER'S
 LOAD CENTER RATING

STANDARD FEATURES

MODEL NUMBER IS H-100-MD-BD
 OVERALL WIDTH IS 51"
 INSIDE WIDTH IS 48"
 OVERALL LENGTH IS 61 3/8"
 OVERALL HEIGHT IS 28 3/16"
 MAX CAPACITY IS 4,000 LBS.
 VOLUME IS 1 CU. YRDS.
 HOPPER IS TOUGH BAKED IN POWDER
 COATED BLUE FINISH
 BUMP AND DUMP MECHANISM IS
 TOUGH BAKED IN POWDER COATED YELLOW FINISH



DIMENSION TOLERANCE ± 1/4"

**** ADDITION OF CASTERS MAY
 CHANGE WEIGHT CAPACITY
 BASED ON CASTER RATING**

SPECIAL FEATURES

NONE

APPROVAL

I, THE UNDERSIGNED, AGREE THAT THE PRODUCT AS REPRESENTED SATISFIES DESIGN AND DIMENSION REQUIREMENTS. I ALSO ACKNOWLEDGE MY DUTY TO CONFIRM PRODUCT AND INSTALLATION COMPLIANCE WITH ALL APPLICABLE FEDERAL, STATE AND LOCAL REGULATIONS AND STANDARDS.
UNITS REQUIRING APPROVAL DRAWINGS OR MODIFIED ARE NON-RETURNABLE

As drawn As marked

Signed: _____ Date: _____

Printed Name: _____

LEAD TIME WILL START UPON RECEIPT OF SIGNED APPROVAL DRAWING

DISTRIBUTOR'S NAME:		P.O.#
VESTIL MANUFACTURING		X
DRAWN BY: JWW		W.O.#
DATE: 2/3/2022		X
REFERENCE: X	SCALE: 1:16	SALES: X
QUOTED LEAD TIME: X	QUOTE #	FILE NAME:
	X	37-007-184