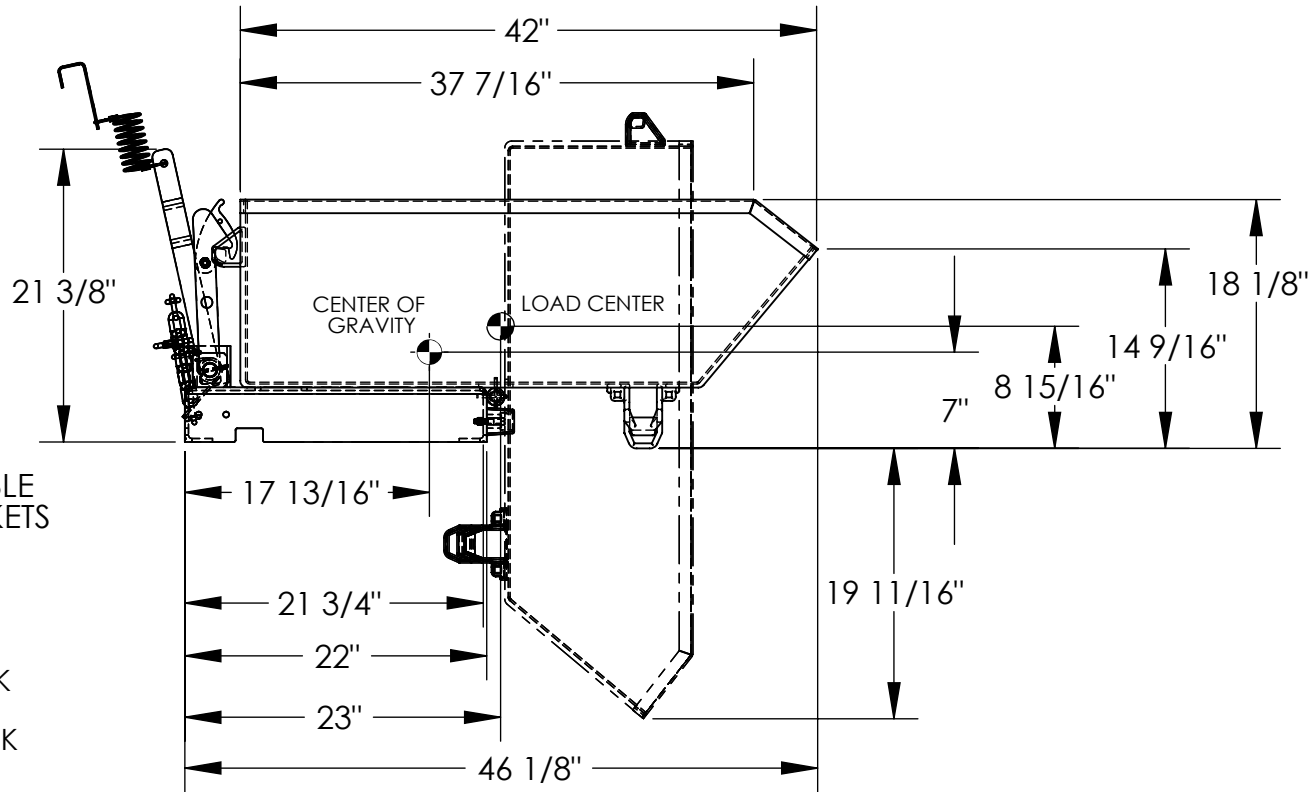
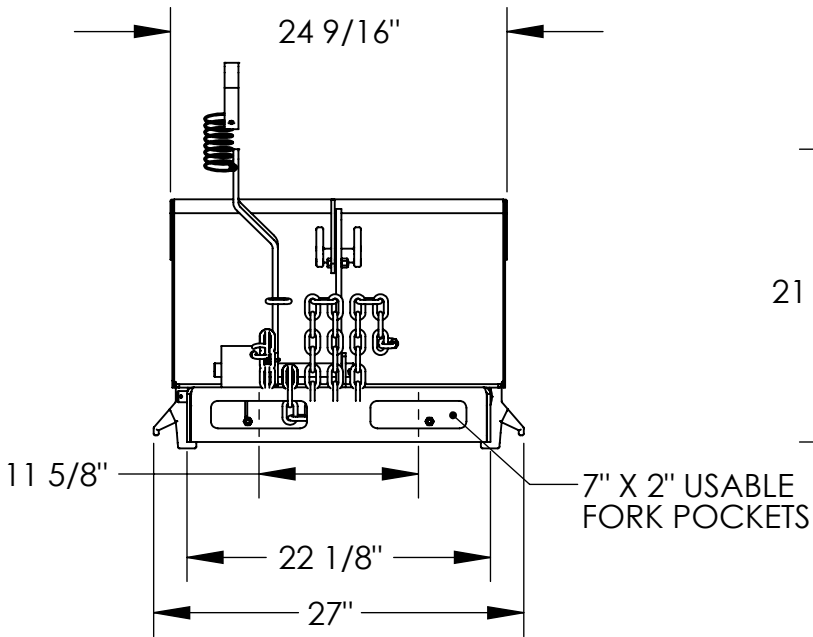


LOW PROFILE 90° SELF DUMPING HOPPER - H-25-MD

APPROX WEIGHT: 194.85 lbs.
 DOES NOT INCLUDE WEIGHT OF POWER OR PACKAGING!!!

*** ANY ADDITIONS, DELETIONS, OR OMISSIONS MUST BE CORRECTED ON THIS DRAWING AS THIS DRAWING WILL BE CONSIDERED ALL INCLUSIVE ***

ALL GRAPHICS PROVIDED ARE FOR REFERENCE ONLY. IF CERTAIN DIMENSIONS ARE CRITICAL PLEASE VERIFY THOSE DIMENSIONS WITH YOUR SALESPERSON



NEVER EXCEED LOAD CENTER RATING PER FORK TRUCK MANUFACTURER'S GUIDELINES. DO NOT USE THIS FORK TRUCK ATTACHMENT IF LOAD WILL EXCEED FORK TRUCK MANUFACTURER'S LOAD CENTER RATING.
 APPROX. WEIGHT/ LOST LOAD=194.85 LBS.
 EFFECTIVE THICKNESS= FORK LENGTH MINUS 21 3/4"

**** ADDITION OF CASTERS MAY CHANGE WEIGHT CAPACITY BASED ON CASTER RATING**

STANDARD FEATURES

- MODEL NUMBER: H-25-MD
- OVERALL WIDTH: 27"
- OVERALL LENGTH: 46 1/8"
- OVERALL HEIGHT: 21 3/8"
- CAPACITY: 4,000 LBS.
- VOLUME: 1/4 CU. YRD.
- TOUGH BAKED IN POWDER COATED BLUE FINISH

SPECIAL FEATURES

NONE

DIMENSION TOLERANCE ± 1/4"

I, THE UNDERSIGNED, AGREE THAT THE PRODUCT AS REPRESENTED SATISFIES DESIGN AND DIMENSION REQUIREMENTS. I ALSO ACKNOWLEDGE MY DUTY TO CONFIRM PRODUCT AND INSTALLATION COMPLIANCE WITH ALL APPLICABLE FEDERAL, STATE AND LOCAL REGULATIONS AND STANDARDS.
ANY MODIFIED UNITS ARE NON-RETURNABLE
 As drawn As marked

Signed: _____ Date: _____
 Printed Name: _____

LEAD TIME WILL START UPON RECEIPT OF SIGNED APPROVAL DRAWING

FOR INTERNAL USE ONLY PROJECT SIGN OFF		DISTRIBUTOR'S NAME: VESTIL MANUFACTURING		P.O.# X
SALES		DRAWN BY: W. STALEY		W.O.# X
ENG.		DATE: 4/9/08	SALES: X	
FAB.		REFERENCE: X	SCALE: 1:14	FILE NAME:
POWER		QUOTED LEAD TIME: X	QUOTE # X	37-007-072