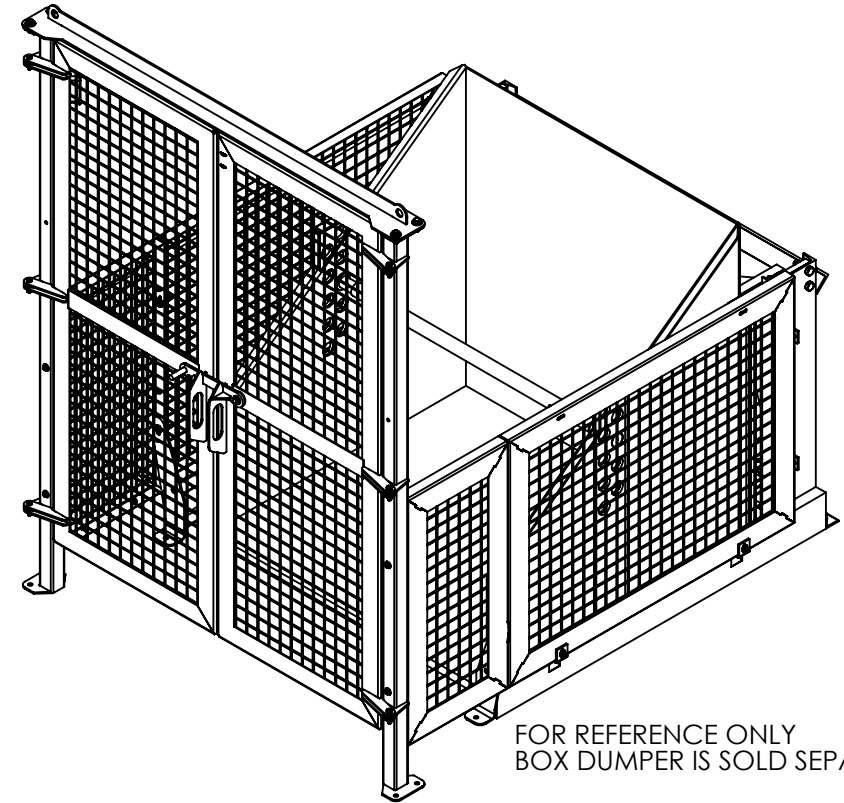
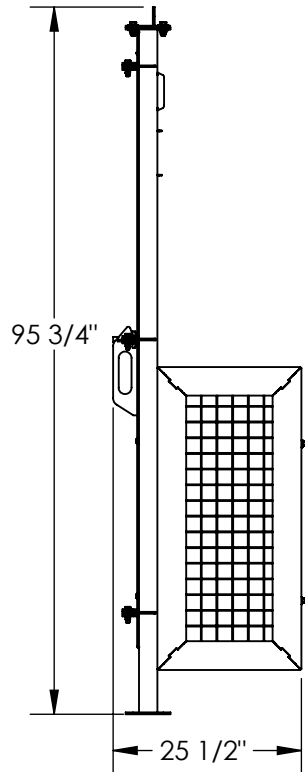
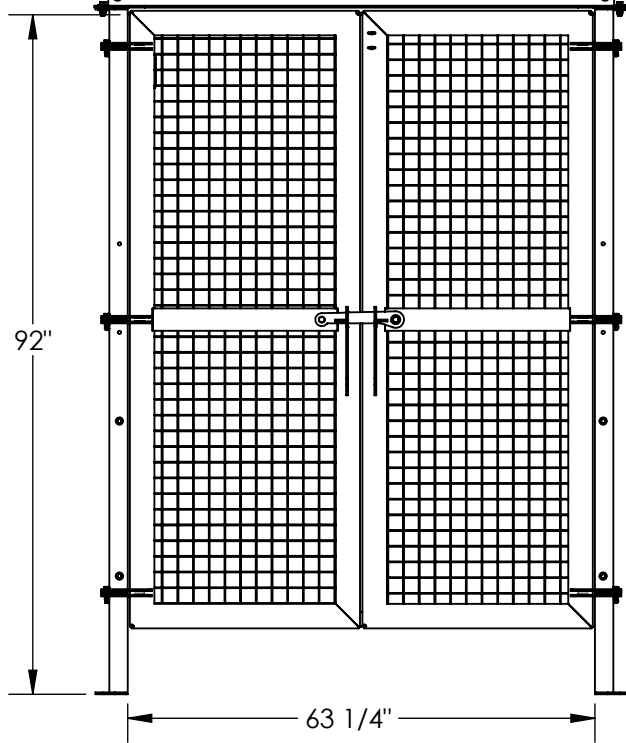
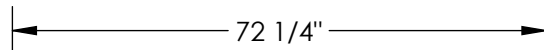
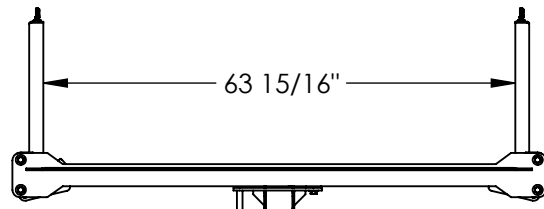


# GATE - HBD-GATE-36

APPROX WEIGHT: 328.50 lbs.  
DOES NOT INCLUDE WEIGHT OF POWER OR PACKAGING!!!

\*\*\* ANY ADDITIONS, DELETIONS, OR OMISSIONS MUST BE CORRECTED ON THIS DRAWING AS THIS DRAWING WILL BE CONSIDERED ALL INCLUSIVE \*\*\*

ALL GRAPHICS PROVIDED ARE FOR REFERENCE ONLY. IF CERTAIN DIMENSIONS ARE CRITICAL PLEASE VERIFY THOSE DIMENSIONS WITH YOUR SALESPERSON



FOR REFERENCE ONLY  
BOX DUMPER IS SOLD SEPARATELY

DIMENSION TOLERANCE  $\pm 1/4$ "

## STANDARD FEATURES

- MODEL NUMBER IS HBD-GATE-36
- OVERALL WIDTH IS 72 1/4"
- USABLE WIDTH IS 63 1/4"
- OVERALL LENGTH IS 25 1/2"
- USABLE HEIGHT IS 92"
- OVERALL HEIGHT IS 95 3/4"
- USED ON HBD-X-36
- GATE WILL INCLUDE NON-CONTACT MAGNETIC INTERLOCK SWITCH
- UNIT WILL NOT OPERATE WHEN GATE IS OPEN
- GUARDS AND GATE TOUGH BAKED IN POWDER COAT YELLOW FINISH

## SPECIAL FEATURES

NONE

<b>APPROVAL</b>	I, THE UNDERSIGNED, AGREE THAT THE PRODUCT AS REPRESENTED SATISFIES DESIGN AND DIMENSION REQUIREMENTS. I ALSO ACKNOWLEDGE MY DUTY TO CONFIRM PRODUCT AND INSTALLATION COMPLIANCE WITH ALL APPLICABLE FEDERAL, STATE AND LOCAL REGULATIONS AND STANDARDS.	
	<b>UNITS REQUIRING APPROVAL DRAWINGS OR MODIFIED ARE NON-RETURNABLE</b>	
	[ ] As drawn	[ ] As marked
Signed: _____	Date: _____	
Printed Name: _____		
<b>LEAD TIME WILL START UPON RECEIPT OF SIGNED APPROVAL DRAWING</b>		

DISTRIBUTOR'S NAME:		P.O.#
VESTIL MANUFACTURING		X
DRAWN BY: CA		W.O.#
DATE: 09/29/2016		X
REFERENCE: X	SCALE: 1:26	SALES: X
QUOTED LEAD TIME: X	QUOTE #	FILE NAME:
	X	34-007-044