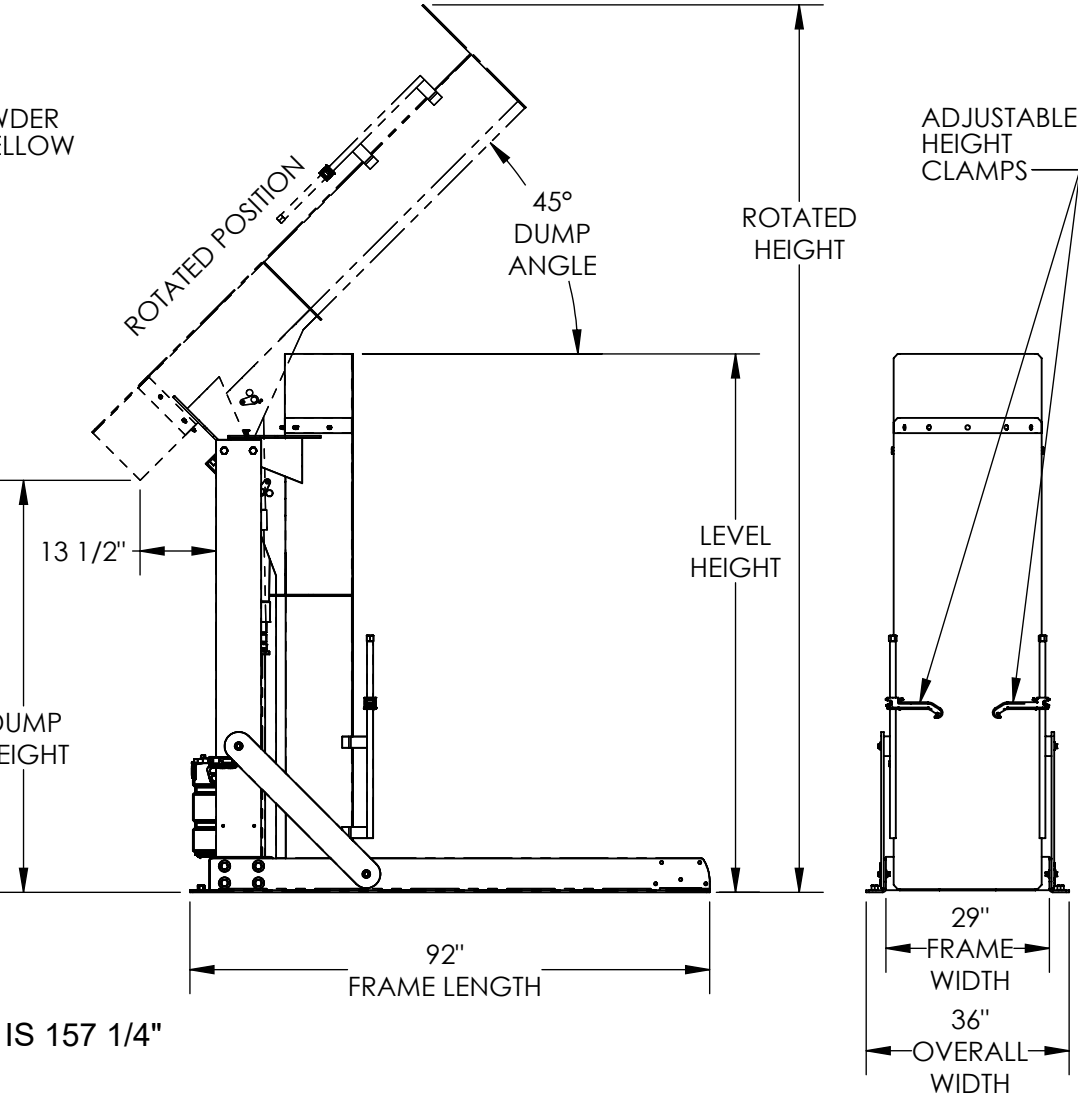
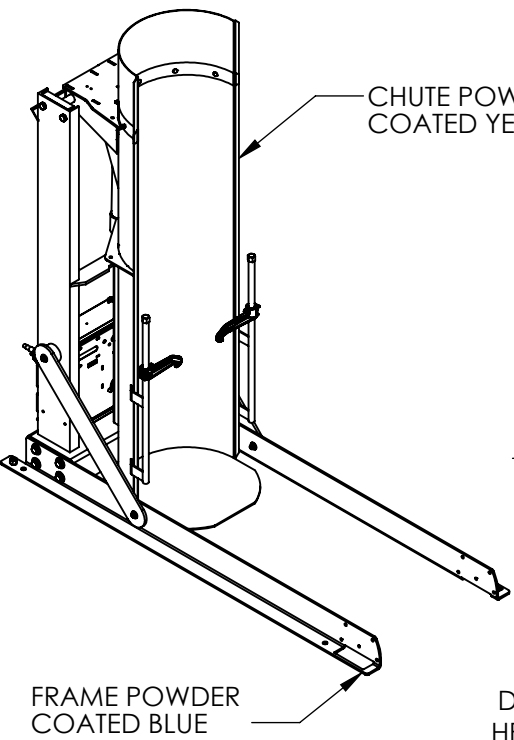


STATIONARY HYDRAULIC DRUM DUMPER - HDD-72-7-S

APPROX WEIGHT: 898.15 lbs. DOES NOT INCLUDE WEIGHT OF POWER OR PACKAGING!!!

ANY ADDITIONS, DELETIONS, OR OMISSIONS MUST BE CORRECTED ON THIS DRAWING AS THIS DRAWING WILL BE CONSIDERED ALL INCLUSIVE
 ALL GRAPHICS PROVIDED ARE FOR REFERENCE ONLY. IF CERTAIN DIMENSIONS ARE CRITICAL PLEASE VERIFY THOSE DIMENSIONS WITH YOUR SALESPERSON



STANDARD FEATURES

- MODEL NUMBER IS HDD-72-7-S
- OVERALL WIDTH IS 36"
- OVERALL LENGTH IS 92"
- LEVEL HEIGHT IS 95 1/4"
- DUMP HEIGHT IS 72"
- ROTATION HEIGHT CLEARANCE IS 157 1/4"
- DUMP ANGLE 45°
- MAX CAPACITY IS 750 LBS,
- ALL STEEL CONSTRUCTION
- PENDANT HAND CONTROL WITH 8' CORD
- ACCEPTABLE DRUM SIZE:
 Ø16 1/2" TO Ø23 1/2" (ROUND) X 27 1/2" TO 39 1/2" H (TALL)
- BASE POWDER COATED BLUE
- CHUTE POWDER COATED YELLOW
- TOUGH BAKED IN POWDER COATED FINISH

SPECIAL FEATURES

NONE

DIMENSION TOLERANCE ± 1/4"

3,000 P.S.I. HYDRAULIC COMPONENTS RATING
WARNING: CHECK STATE AND LOCAL CODES !!!
UNIT MUST BE SECURED TO FLOOR BEFORE USE

PLEASE CIRCLE SPECIFICATIONS:

| | | | |
|--------------------------------------|--|-----------------------------------|-----------------------------------|
| POWER | <input checked="" type="checkbox"/> AC | <input type="checkbox"/> *DC | <input type="checkbox"/> *AIR/OIL |
| MOTOR VOLTAGE | <input checked="" type="checkbox"/> 115 | <input type="checkbox"/> 208 | <input type="checkbox"/> 230 460 |
| DEDICATED CIRCUIT REQUIRED | | | |
| MOTOR PHASE | <input checked="" type="checkbox"/> SINGLE | <input type="checkbox"/> THREE | |
| CONTROL | <input checked="" type="checkbox"/> HAND | <input type="checkbox"/> * FOOT | |
| ~ ALL BATTERY CHARGERS ARE 115V AC ~ | | | |
| * BATTERY CHRG. | <input type="checkbox"/> REMOTE | <input type="checkbox"/> ON-BOARD | |
| * CHRG. INDICATOR | <input type="checkbox"/> YES | <input type="checkbox"/> NO | |

* AVAILABLE AT ADDITIONAL COST

APPROVAL

I, THE UNDERSIGNED, AGREE THAT THE PRODUCT AS REPRESENTED SATISFIES DESIGN AND DIMENSION REQUIREMENTS. I ALSO ACKNOWLEDGE MY DUTY TO CONFIRM PRODUCT AND INSTALLATION COMPLIANCE WITH ALL APPLICABLE FEDERAL, STATE AND LOCAL REGULATIONS AND STANDARDS.

UNITS REQUIRING APPROVAL DRAWINGS OR MODIFIED ARE NON-RETURNABLE

[] As drawn [] As marked

Signed: _____ Date: _____

Printed Name: _____

LEAD TIME WILL START UPON RECEIPT OF SIGNED APPROVAL DRAWING

| | | |
|----------------------|-------------|------------|
| DISTRIBUTOR'S NAME: | | P.O.# |
| VESTIL MANUFACTURING | | X |
| DRAWN BY: CRM | | W.O.# |
| DATE: 08/12/2010 | | X |
| REFERENCE: X | SCALE: 1:34 | SALES: X |
| QUOTED LEAD TIME: X | QUOTE # X | FILE NAME: |
| | | 09-007-125 |