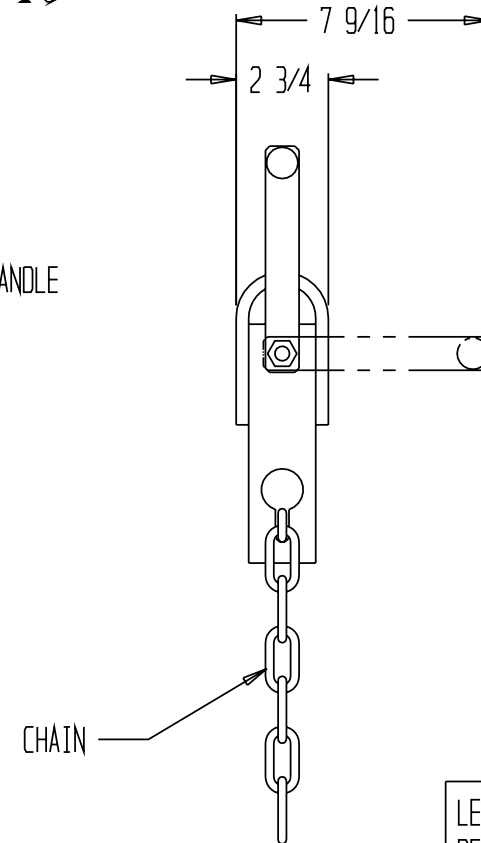
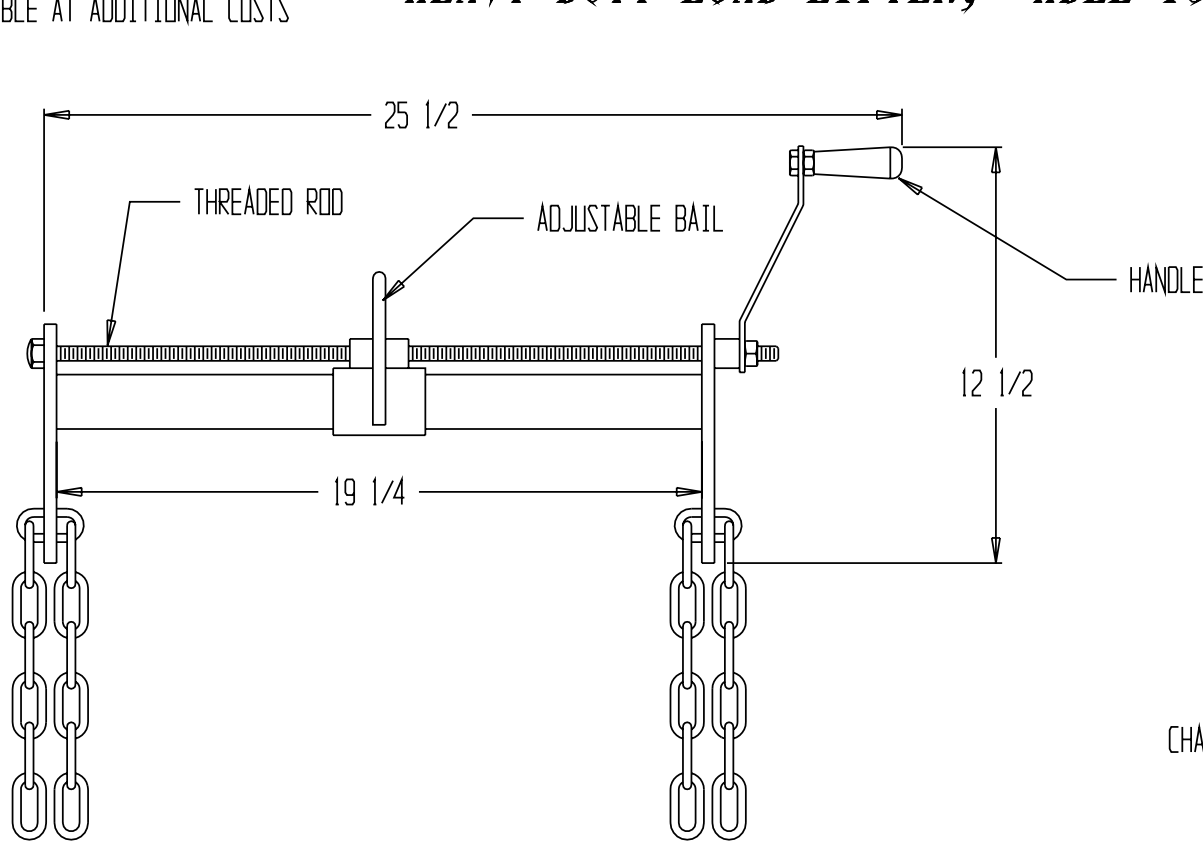


\*\*SPECIAL UNITS ARE NON-RETURNABLE  
 \*AVAILABLE AT ADDITIONAL COSTS

# HEAVY DUTY LOAD LIFTER, HDLL-15



LEAD TIME WILL START UPON  
 RECEIPT OF SIGNED APPROVAL  
 DRAWING

## STANDARD FEATURES

MODEL NUMBER: HDLL-15  
 CAPACITY: 1,500 LBS.  
 OVERALL WIDTH: 25 1/2"  
 OVERALL HEIGHT: 12 1/2"  
 OVERALL DEPTH: 7 9/16"  
 CONNECTOR LINKS & HOOK NOT INCLUDED

## SPECIAL FEATURES

NONE

\*\*\* ALL GRAPHICS PROVIDED ARE FOR REFERENCE ONLY.  
 IF CERTAIN DIMENSIONS ARE CRITICAL PLEASE VERIFY  
 THOSE DIMENSIONS WITH YOUR SALESPERSON. \*\*\*

\*\*Any additions, deletions or omissions must be corrected on this  
 drawing, as this drawing will be considered all inclusive.\*\*

## APPROVAL

I, the undersigned, hereby approve this print  
 As drawn       As marked  
 This includes my approval of design & dimensions.  
 Signed: \_\_\_\_\_  
 Date: \_\_\_\_\_

DISTRIBUTOR'S NAME:		P.O.#: _
<b>VESTIL MANUFACTURING</b>		W.O.#: _
DRAWN BY: SR	DATE: 5-17-06	SALES: _
REFERENCE:		DRWG./FILE NAME:
-	SCALE: 1:6	HDLL-15