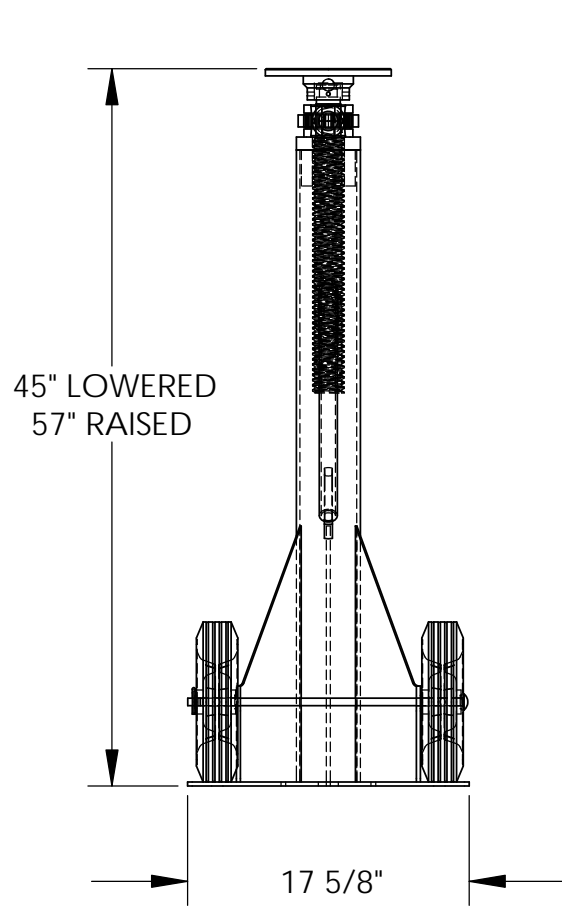


RATCHET TRAILER STABILIZING JACK - HI-J

APPROX WEIGHT: 109.17 lbs.
 DOES NOT INCLUDE WEIGHT OF POWER OR PACKAGING!!!

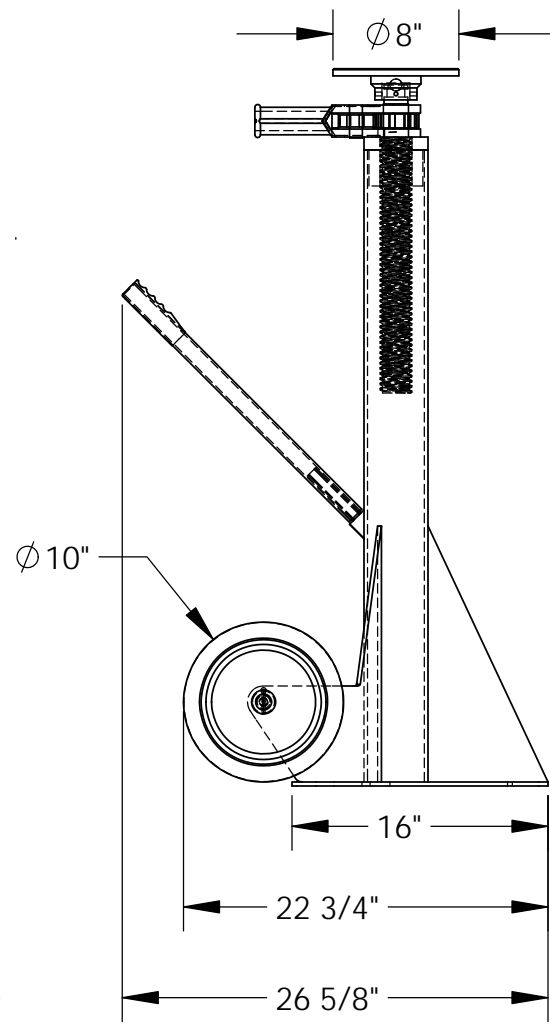
*** ANY ADDITIONS, DELETIONS, OR OMISSIONS MUST BE CORRECTED ON THIS DRAWING AS THIS DRAWING WILL BE CONSIDERED ALL INCLUSIVE ***

ALL GRAPHICS PROVIDED ARE FOR REFERENCE ONLY. IF CERTAIN DIMENSIONS ARE CRITICAL PLEASE VERIFY THOSE DIMENSIONS WITH YOUR SALESPERSON



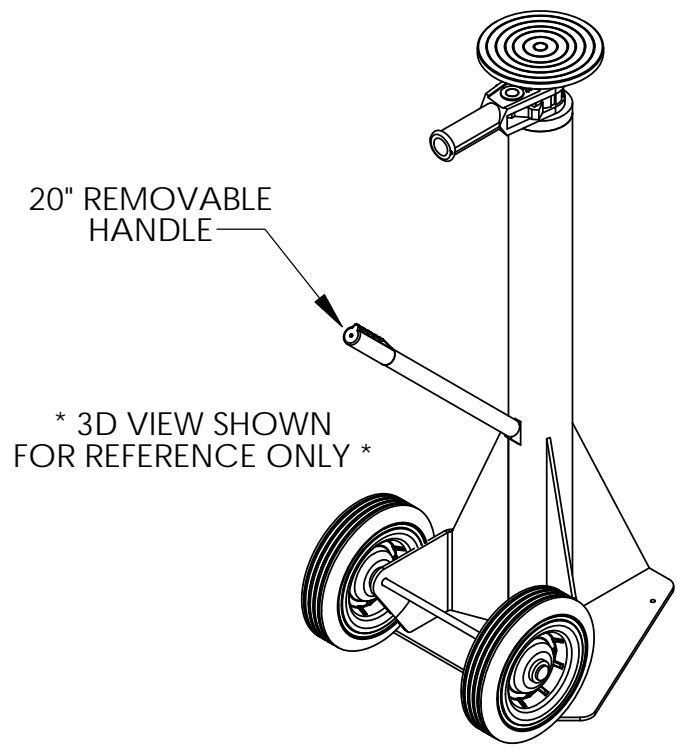
STANDARD FEATURES

- MODEL NUMBER: HI-J
- OVERALL WIDTH: 17 5/8"
- OVERALL LENGTH: 26 5/8"
- SERVICE RANGE: 45" TO 57"
- STATIC CAPACITY: 100,000 LBS.
- LIFTING CAPACITY: 40,000 LBS.
- TOP CAP: 8" DIAMETER
- WHEEL SIZE IS Ø10"
- HANDLE LENGTH IS 20"



SPECIAL FEATURES

NONE



* 3D VIEW SHOWN FOR REFERENCE ONLY *

DIMENSION TOLERANCE ± 1/4"

I, THE UNDERSIGNED, AGREE THAT THE PRODUCT AS REPRESENTED SATISFIES DESIGN AND DIMENSION REQUIREMENTS. I ALSO ACKNOWLEDGE MY DUTY TO CONFIRM PRODUCT AND INSTALLATION COMPLIANCE WITH ALL APPLICABLE FEDERAL, STATE AND LOCAL REGULATIONS AND STANDARDS.

ANY MODIFIED UNITS ARE NON-RETURNABLE

As drawn As marked

Signed: _____ Date: _____

Printed Name: _____

LEAD TIME WILL START UPON RECEIPT OF SIGNED APPROVAL DRAWING

FOR INTERNAL USE ONLY PROJECT SIGN OFF		DISTRIBUTOR'S NAME: VESTIL MANUFACTURING		P.O.# X
SALES		DRAWN BY: B.NOTHNAGEL	DATE: 05/15/2015	W.O.# X
ENG.		REFERENCE: X	SCALE: 1:12	SALES: X
FAB.		QUOTED LEAD TIME: X	QUOTE # X	FILE NAME: 13-007-073
POWER				

MAXIMUM WORKING CAPACITY AT GRADE (%)								
0.00%	0.50%	1.00%	1.50%	2.00%	2.50%	3.00%	3.50%	4.00%
100,000	80,000	66,000	55,000	46,000	41,000	37,000	33,000	29,000