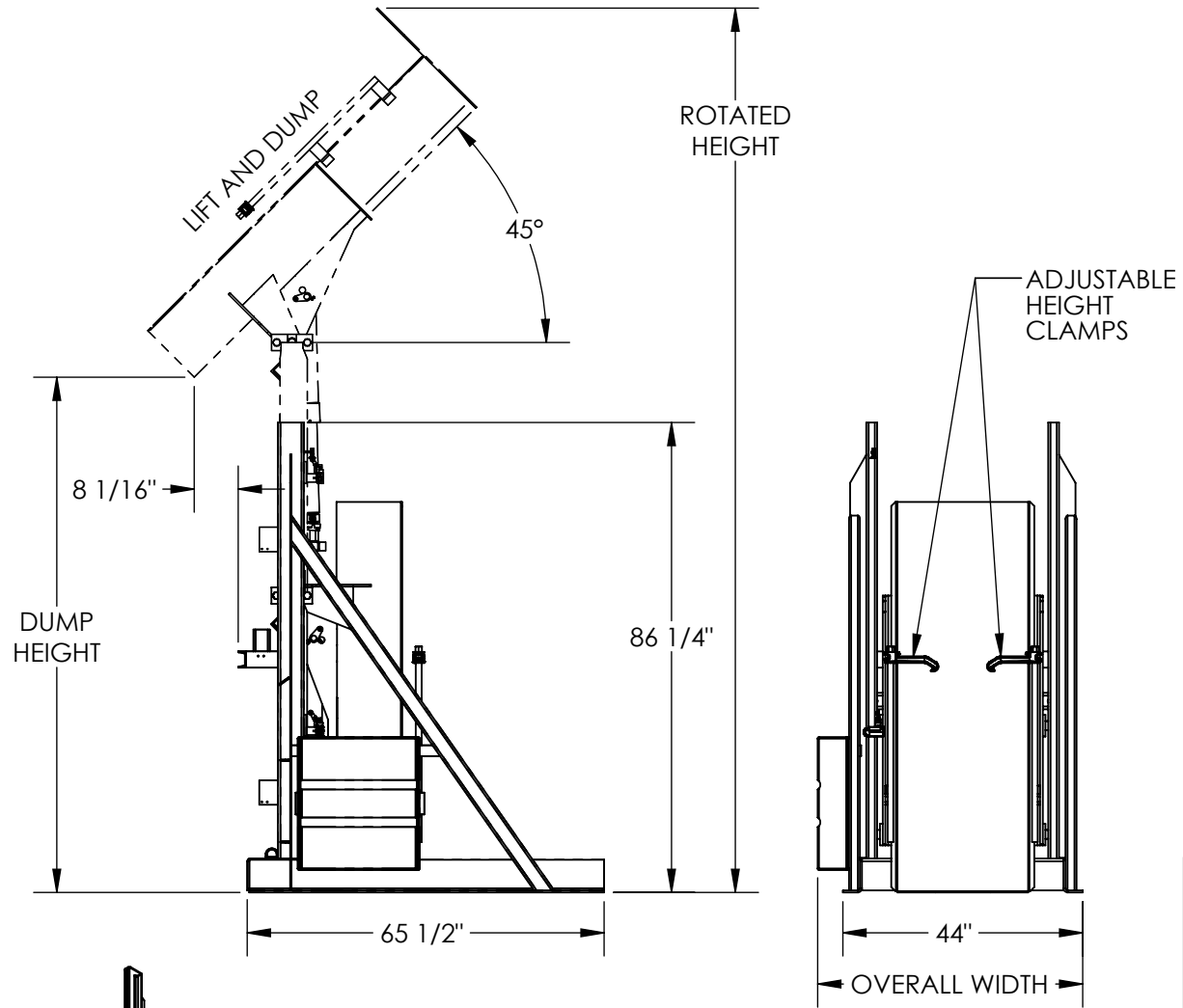


LIFT-AND-DUMP HYDRAULIC DRUM DUMPERS - HLD-94-15-S

APPROX WEIGHT: 1129.23 lbs.
 DOES NOT INCLUDE WEIGHT OF POWER OR PACKAGING!!!

*** ANY ADDITIONS, DELETIONS, OR OMISSIONS MUST BE CORRECTED ON THIS DRAWING AS THIS DRAWING WILL BE CONSIDERED ALL INCLUSIVE ***
 ALL GRAPHICS PROVIDED ARE FOR REFERENCE ONLY. IF CERTAIN DIMENSIONS ARE CRITICAL PLEASE VERIFY THOSE DIMENSIONS WITH YOUR SALESPERSON



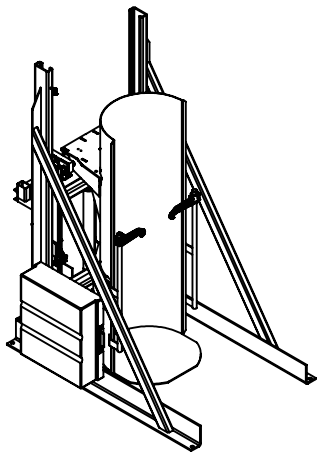
STANDARD FEATURES

- MODEL NUMBER IS HLD-94-15-S
- LIFT AND DUMP DESIGN
- INDEPENDENT LIFT AND DUMP OPERATION
- MAX. DUMP HEIGHT IS 94"
- MIN. DUMP HEIGHT IS 48"
- OVERALL WIDTH IS 51"
- OVERALL LENGTH IS 65 1/2"
- LEVEL HEIGHT IS 86 1/4"
- ROTATED HEIGHT IS 163"
- DUMP ANGLE IS 45°
- UNIT IS STATIONARY
- MAX CAPACITY IS 1,500 LBS.
- DURABLE LIQUID PAINT BLUE FINISH FRAME
- TOUGH BAKED IN POWDER COATED YELLOW FINISH CHUTE
- 3000 PSI HYD. COMPONENT RATING
- WARNING:
CHECK LOCAL AND STATE CODES!

SPECIAL FEATURES

NONE

DIMENSION TOLERANCE ± 1/4"



PLEASE CIRCLE SPECIFICATIONS:

POWER	<input checked="" type="checkbox"/> AC	<input type="checkbox"/> * DC	<input type="checkbox"/> * AIR/OIL
MOTOR VOLTAGE	<input type="checkbox"/> 115	<input type="checkbox"/> 208	<input checked="" type="checkbox"/> 230
DEDICATED CIRCUIT REQUIRED			
MOTOR PHASE	<input type="checkbox"/> SINGLE	<input checked="" type="checkbox"/> THREE	
CONTROL	<input checked="" type="checkbox"/> HAND	<input type="checkbox"/> * FOOT	
~ ALL BATTERY CHARGERS ARE 115V AC ~			
* BATTERY CHRG.	<input type="checkbox"/> REMOTE	<input checked="" type="checkbox"/> ON-BOARD	
* CHRG. INDICATOR	<input checked="" type="checkbox"/> YES	<input type="checkbox"/> NO	

* AVAILABLE AT ADDITIONAL COST

APPROVAL

I, THE UNDERSIGNED, AGREE THAT THE PRODUCT AS REPRESENTED SATISFIES DESIGN AND DIMENSION REQUIREMENTS. I ALSO ACKNOWLEDGE MY DUTY TO CONFIRM PRODUCT AND INSTALLATION COMPLIANCE WITH ALL APPLICABLE FEDERAL, STATE AND LOCAL REGULATIONS AND STANDARDS.
UNITS REQUIRING APPROVAL DRAWINGS OR MODIFIED ARE NON-RETURNABLE
 As drawn As marked

Signed: _____ Date: _____
 Printed Name: _____

LEAD TIME WILL START UPON RECEIPT OF SIGNED APPROVAL DRAWING

DISTRIBUTOR'S NAME:		P.O.#	
VESTIL MANUFACTURING		X	
DRAWN BY: CA		DATE: 07/19/2016	W.O.#
REFERENCE: X		SCALE: 1:34	X
QUOTED LEAD TIME: X		QUOTE #	SALES: X
		X	FILE NAME:
			09-007-099-001