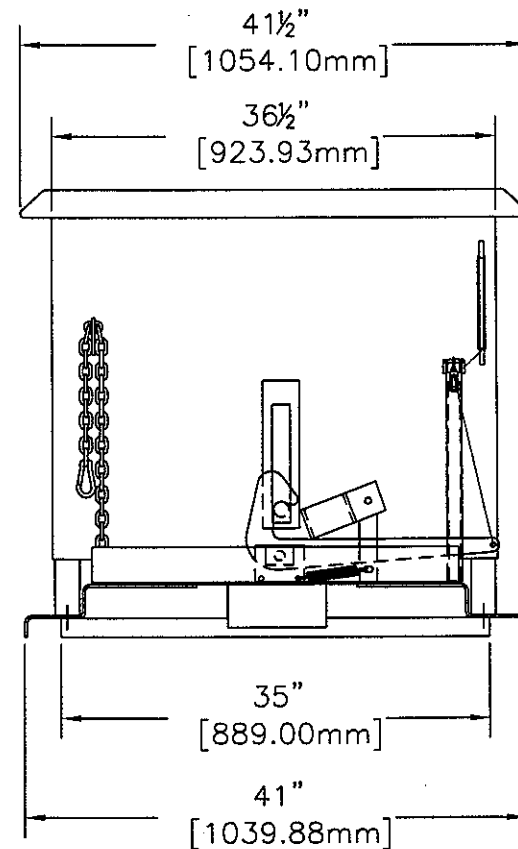
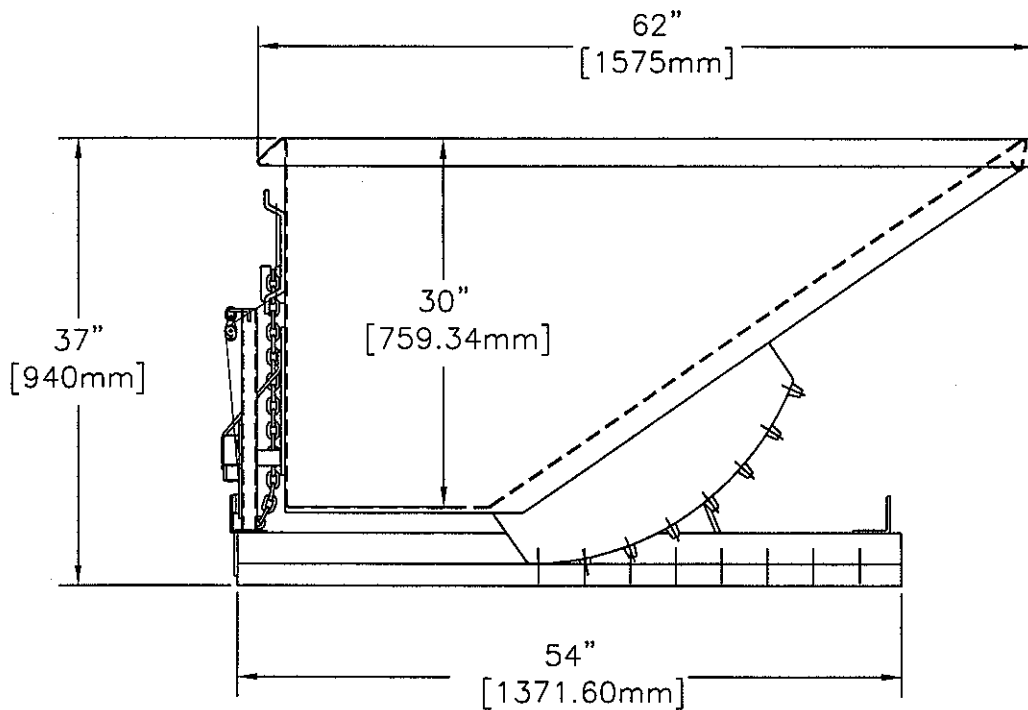


STACKABLE STEEL SELF-DUMPING HOPPER - HOP-100-LD

** Any additions, deletions or omissions must be corrected on this drawing, as this drawing will be considered all inclusive. **

** All graphics provided are for reference only. If certain dimensions are critical please verify those dimensions with your salesperson **



STANDARD FEATURES

MODEL NUMBER: HOP-100-LD
 CAPACITY: 2,000 LBS.
 VOLUME: 1 CUBIC YARD
 OVERALL WIDTH: 41 1/2"
 OVERALL DEPTH: 62"
 OVERALL HEIGHT: 37"

SPECIAL FEATURES

A
P
P
R
O
V
A
L

I, THE UNDERSIGNED, AGREE THAT THE PRODUCT AS REPRESENTED SATISFIES DESIGN & DIMENSION REQUIREMENTS. I ALSO ACKNOWLEDGE MY DUTY TO CONFIRM PRODUCT & INSTALLATION COMPLIANCE WITH ALL APPLICABLE FEDERAL, STATE AND LOCAL REGULATIONS & STANDARDS.

ALL SPECIAL UNITS ARE NON-RETURNABLE
 () As drawn () As marked

Signed: _____ Date: _____

LEAD TIME WILL START UPON RECEIPT OF SIGNED APPROVAL DRAWING

DISTRIBUTOR'S NAME: VESTIL MFG		P.O.#: _
DRAWN BY: _____		W.O.#: _
DATE: _	SALES: _	
REFERENCE: _	SCALE: _	DRWG./FILE NAME: _
QUOTED LEADTIME: _	QUOTE #: _	