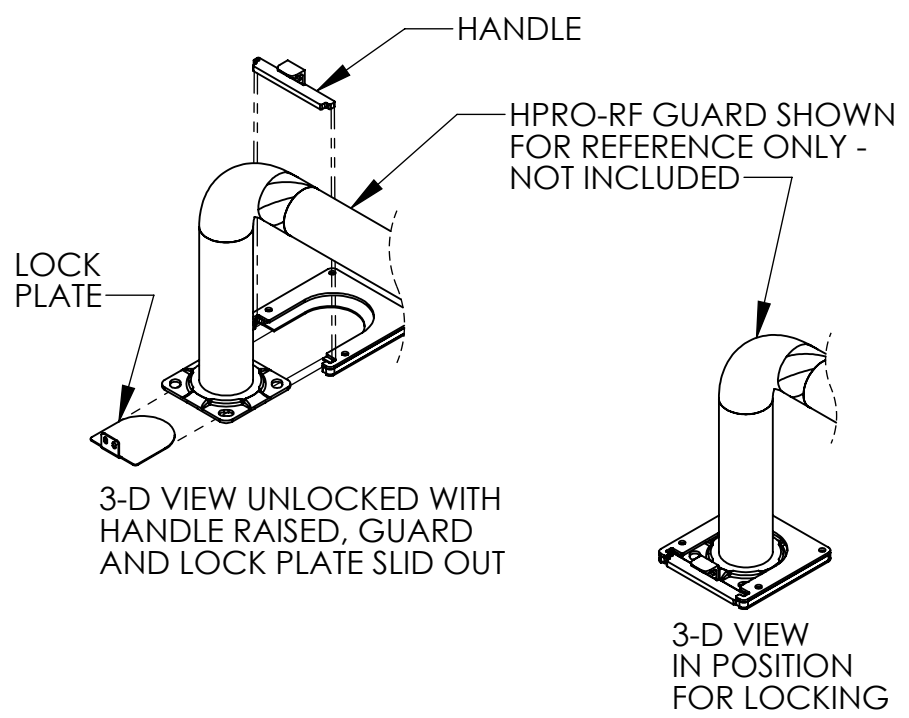
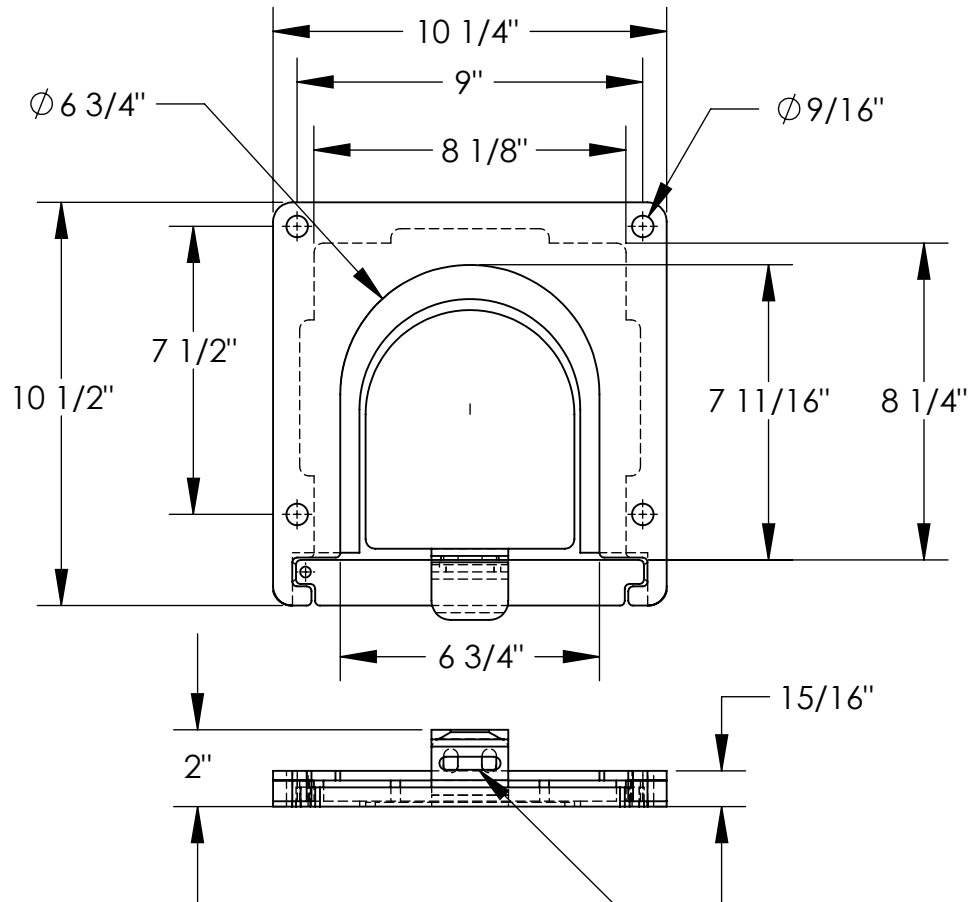


SURFACE MOUNTED REMOVABLE GUARD BASE - HPRO-RF-BASE

APPROX WEIGHT: 12 lbs.
DOES NOT INCLUDE WEIGHT OF POWER OR PACKAGING!!!

*** ANY ADDITIONS, DELETIONS, OR OMISSIONS MUST BE CORRECTED ON THIS DRAWING AS THIS DRAWING WILL BE CONSIDERED ALL INCLUSIVE ***
ALL GRAPHICS PROVIDED ARE FOR REFERENCE ONLY. IF CERTAIN DIMENSIONS ARE CRITICAL PLEASE VERIFY THOSE DIMENSIONS WITH YOUR SALESPERSON



STANDARD FEATURES

- MODEL NUMBER IS HPRO-RF-BASE
- OVERALL LENGTH IS 10 1/2"
- OVERALL HEIGHT IS 2"
- OVERALL WIDTH IS 10 1/4"
- USABLE WIDTH IS 6 3/4"
- FOR USE WITH 4 1/2" O.D.
- HPRO-RF RACK GUARDS
- GUARD IS EASILY INSERTED INTO BASE FOR INSTALLATION
- BASE MAY BE LOCKED WITH A PADLOCK (NOT PROVIDED) TO PREVENT GUARD REMOVAL
- BASE PLATE INCLUDES FOUR PRE-DRILLED MOUNTING HOLES
- ZINC COATED STEEL CONSTRUCTION

LOCK ATTACHMENT LOCATION (SECURES LOCK PLATE TO HANDLE)

SPECIAL FEATURES

NONE

DIMENSION TOLERANCE $\pm 1/4"$

APPROVAL	I, THE UNDERSIGNED, AGREE THAT THE PRODUCT AS REPRESENTED SATISFIES DESIGN AND DIMENSION REQUIREMENTS. I ALSO ACKNOWLEDGE MY DUTY TO CONFIRM PRODUCT AND INSTALLATION COMPLIANCE WITH ALL APPLICABLE FEDERAL, STATE AND LOCAL REGULATIONS AND STANDARDS.	
	ANY MODIFIED UNITS ARE NON-RETURNABLE	
	[] As drawn [] As marked	
	Signed: _____	Date: _____
Printed Name: _____		
LEAD TIME WILL START UPON RECEIPT OF SIGNED APPROVAL DRAWING		

FOR INTERNAL USE ONLY PROJECT SIGN OFF	
SALES	
ENG.	
FAB.	
POWER	

DISTRIBUTOR'S NAME:		P.O.#
VESTIL MANUFACTURING		X
DRAWN BY: MTS	DATE: 09/21/2017	W.O.#
REFERENCE: X	SCALE: 1:5	X
QUOTED LEAD TIME: X	QUOTE #	FILE NAME:
	X	23-007-632-002