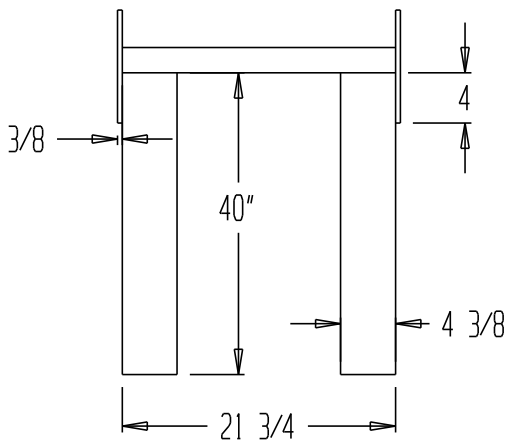


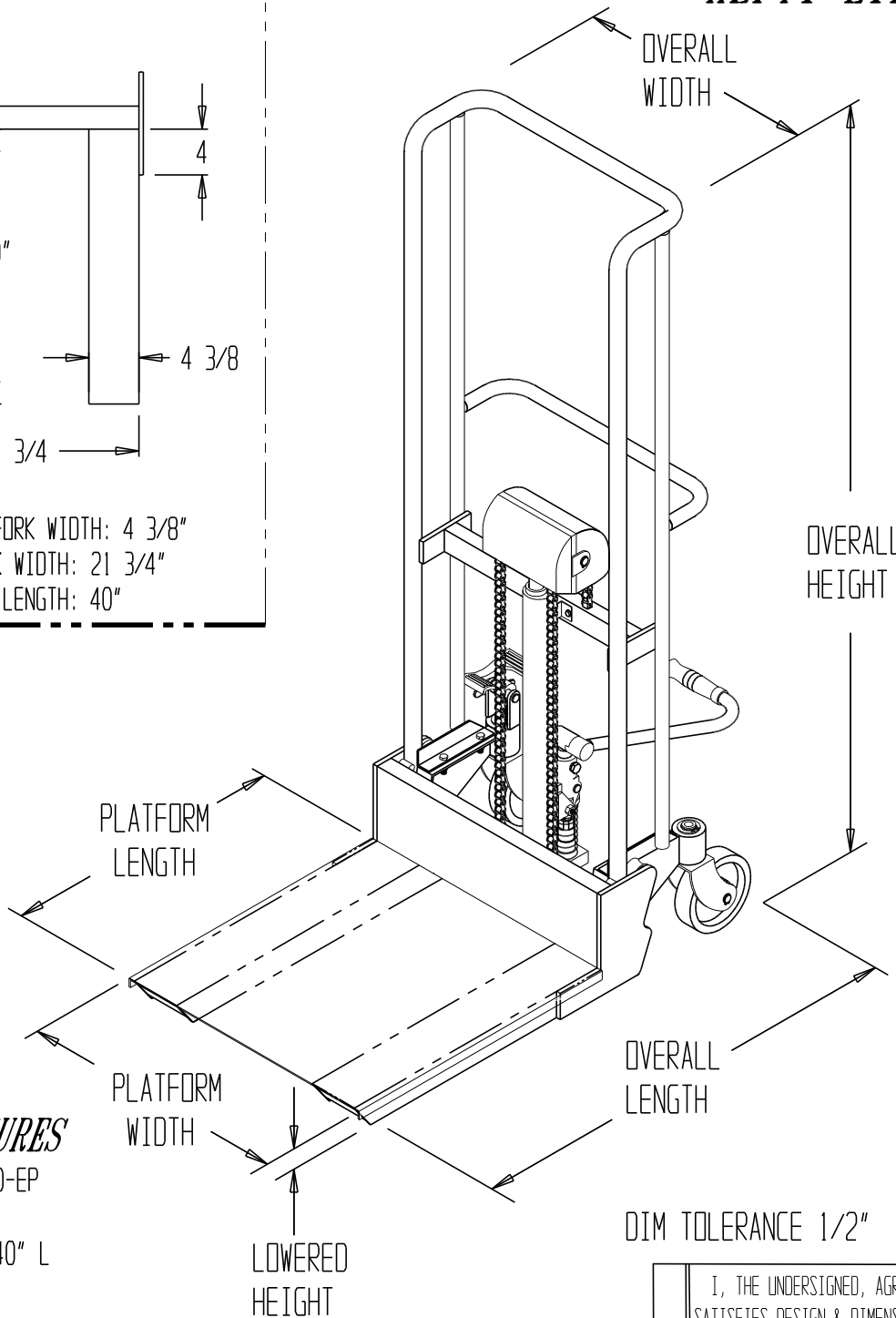
FORK DETAIL - TOP VIEW



FORK SPECS:

INDIVIDUAL FORK WIDTH: 4 3/8"
 OVERALL FORK WIDTH: 21 3/4"
 USABLE FORK LENGTH: 40"

HEFTI-LIFT, HYD-10-EP



STANDARD FEATURES

MODEL NUMBER: HYD-10-EP
 CAPACITY: 300 LBS
 DECK SIZE: 23" W x 40" L
 OVERALL HEIGHT: 70"
 OVERALL LENGTH: 53"
 OVERALL WIDTH: 23"
 LOWERED HEIGHT: 4 1/2"
 RAISED HEIGHT: 59"
 HANDLE HEIGHT: 42"
 OUTRIGGERS:
 ID = 14" / OD = 18 1/4"
 CASTERS:
 2- BACK 6" x 2"
 2- FRONT 3" x 2"
 FOOT PUMP OPERATION
 FORK THICKNESS: 0.184"
 FORK HEIGHT: 2 3/8"

SPECIAL FEATURES

NONE

Any additions, deletions or omissions must be corrected on this drawing, as this drawing will be considered all inclusive.

All graphics provided are for reference only. If certain dimensions are critical please verify those dimensions with your salesperson

DIM TOLERANCE 1/2"

I, THE UNDERSIGNED, AGREE THAT THE PRODUCT AS REPRESENTED SATISFIES DESIGN & DIMENSION REQUIREMENTS. I ALSO ACKNOWLEDGE MY DUTY TO CONFIRM PRODUCT & INSTALLATION COMPLIANCE WITH ALL APPLICABLE FEDERAL, STATE AND LOCAL REGULATIONS & STANDARDS.

UNITS REQUIRING APPROVAL DRAWINGS OR MODIFIED ARE NON-RETURNABLE

[] As drawn [] As marked

Signed: _____ Date: _____

Printed Name: _____

LEAD TIME WILL START UPON RECEIPT OF SIGNED APPROVAL DRAWING

DISTRIBUTOR'S NAME: VESTIL MFG		P.O.#: -
DRAWN BY: _____		W.O.#: -
DATE: 5/5/16	SCALE: N/A	SALES: -
REFERENCE: -	QUOTED LEADTIME: -	DRWG./FILE NAME: HYD-10-EP
QUOTE #: -		