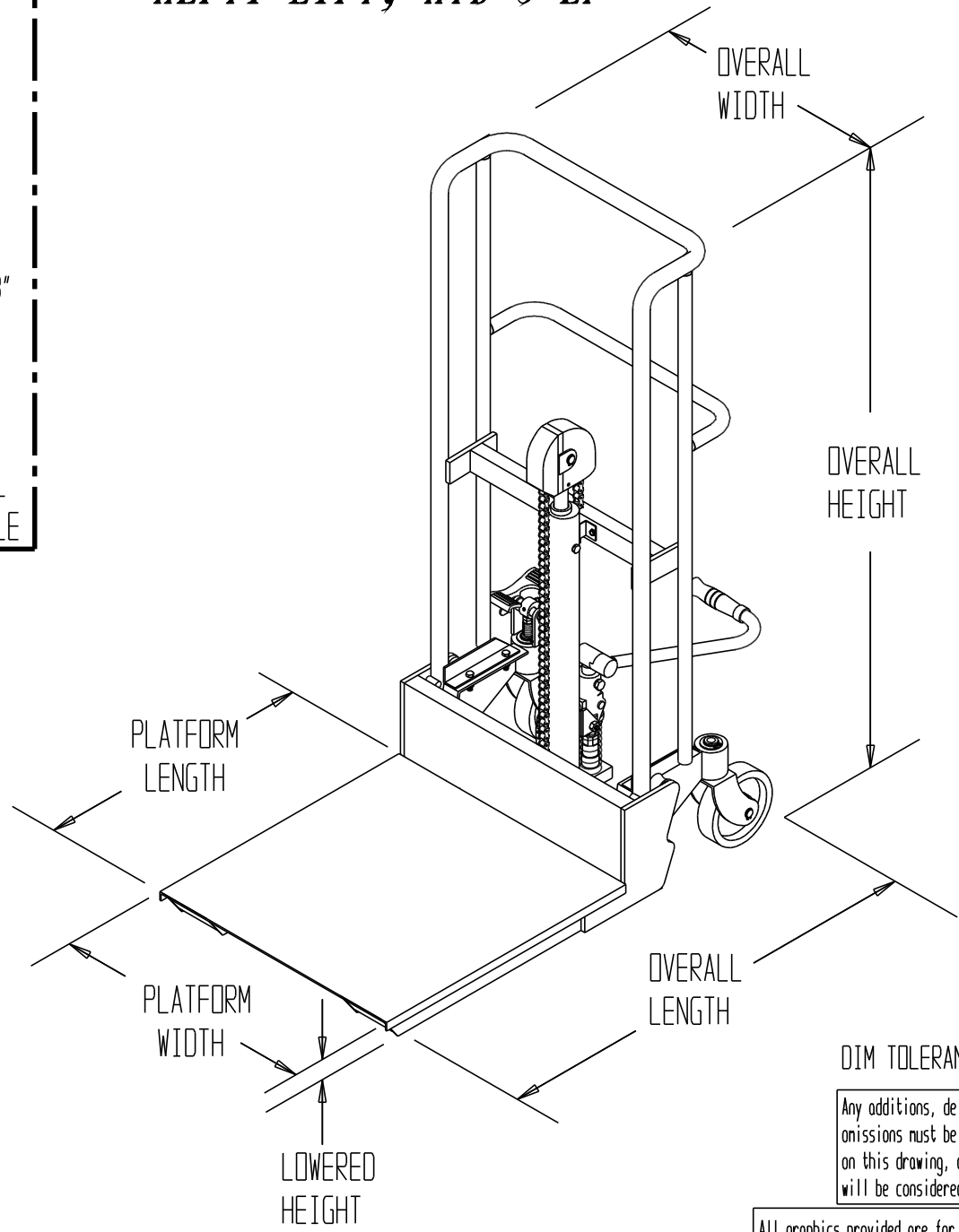
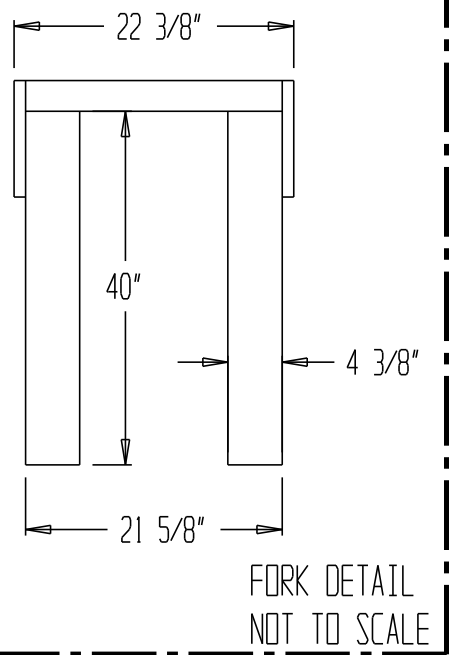


HEFTI-LIFT, HYD-5-EP



DIM TOLERANCE 1/2"

STANDARD FEATURES

- MODEL NUMBER: HYD-5-EP
- CAPACITY: 400 LBS
- DECK SIZE: 23" W x 40" L
- OVERALL HEIGHT: 55"
- OVERALL LENGTH: 36"
- OVERALL WIDTH: 23"
- LOWERED HEIGHT: 4 1/2"
- RAISED HEIGHT: 44"
- HANDLE HEIGHT: 42"
- OUTRIGGERS: ID-14" / OD-18 1/4"
- CASTERS:
 - 2- BACK 6" x 2"
 - 2- FRONT 3" x 2"
- FOOT PUMP OPERATION

SPECIAL FEATURES

NONE

Any additions, deletions or omissions must be corrected on this drawing, as this drawing will be considered all inclusive.

All graphics provided are for reference only. If certain dimensions are critical please verify those dimensions with your salesperson

A P P R O V A L	I, THE UNDERSIGNED, AGREE THAT THE PRODUCT AS REPRESENTED SATISFIES DESIGN & DIMENSION REQUIREMENTS. I ALSO ACKNOWLEDGE MY DUTY TO CONFIRM PRODUCT & INSTALLATION COMPLIANCE WITH ALL APPLICABLE FEDERAL, STATE AND LOCAL REGULATIONS & STANDARDS.	
	ANY MODIFIED UNITS ARE NON-RETURNABLE	
	[] As drawn [] As marked	
	Signed: _____	Date: _____
Printed Name: _____		LEAD TIME WILL START UPON RECEIPT OF SIGNED APPROVAL DRAWING

DISTRIBUTOR'S NAME: VESTIL MFG		P.O.#: _
		W.O.#: _
DRAWN BY: _____	DATE: 5/5/16	SALES: _
REFERENCE: _	SCALE: NONE	DRWG./FILE NAME:
QUOTED LEADTIME: _	QUOTE #: _	HYD-5-EP

FOR INTERNAL USE ONLY	PROJECT SIGN OFF
SALES	
ENG	
FAB.	
POWER	