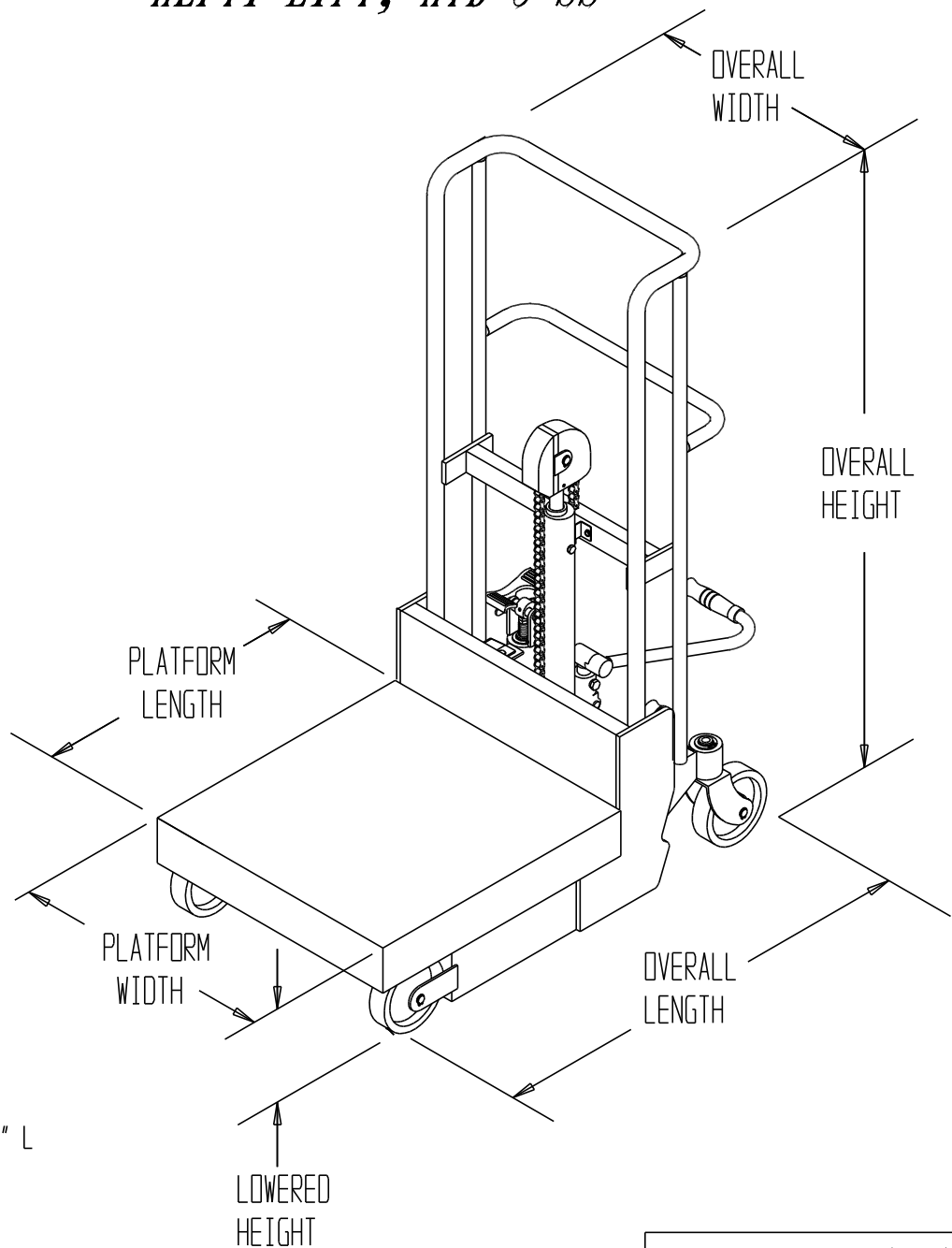


HEFTI-LIFT, HYD-5-SS



STANDARD FEATURES

MODEL NUMBER: HYD-5-SS
 CAPACITY: 450 LBS
 DECK SIZE: 21 1/4" W x 23 5/8" L
 OVERALL HEIGHT: 52 1/8"
 OVERALL LENGTH: 35 13/16"
 OVERALL WIDTH: 21 1/4"
 LOWERED HEIGHT: 6 1/4"
 RAISED HEIGHT: 45 1/4"
 HANDLE HEIGHT: 37 3/4"
 CASTERS:
 2- $\varnothing 5"$ x 1 1/2"
 2- $\varnothing 5"$ x 1 9/16"
 FOOT PUMP OPERATION

SPECIAL FEATURES

NONE

PRODUCTION WILL START UPON
 RECEIPT OF SIGNED APPROVAL
 DRAWING

**SPECIAL UNITS ARE NON-RETURNABLE
 *AVAILABLE AT ADDITIONAL COSTS

All graphics provided are for reference only.
 If certain dimensions are critical please
 verify those dimensions with your salesperson

**A
P
P
R
O
V
A
L**

I, THE UNDERSIGNED, AGREE THAT THE PRODUCT AS REPRESENTED SATISFIES DESIGN & DIMENSION REQUIREMENTS. I ALSO ACKNOWLEDGE MY DUTY TO CONFIRM PRODUCT & INSTALLATION COMPLIANCE WITH ALL APPLICABLE FEDERAL, STATE AND LOCAL REGULATIONS & STANDARDS.

UNITS REQUIRING APPROVAL DRAWINGS OR MODIFIED ARE NON-RETURNABLE
 As drawn As marked

Signed: _____ Date: _____
 Printed Name _____

LEAD TIME WILL START UPON RECEIPT OF SIGNED APPROVAL DRAWING

DISTRIBUTOR'S NAME: VESTIL MANUFACTURING		P.O.#: -
DRAWN BY: -		W.O.#: -
DATE: 2/18/13	SCALE: -	SALES: -
REFERENCE: -	QUOTE #: -	DRWG./FILE NAME: HYD-5-SS
QUOTED LEADTIME: -	QUOTE #: -	