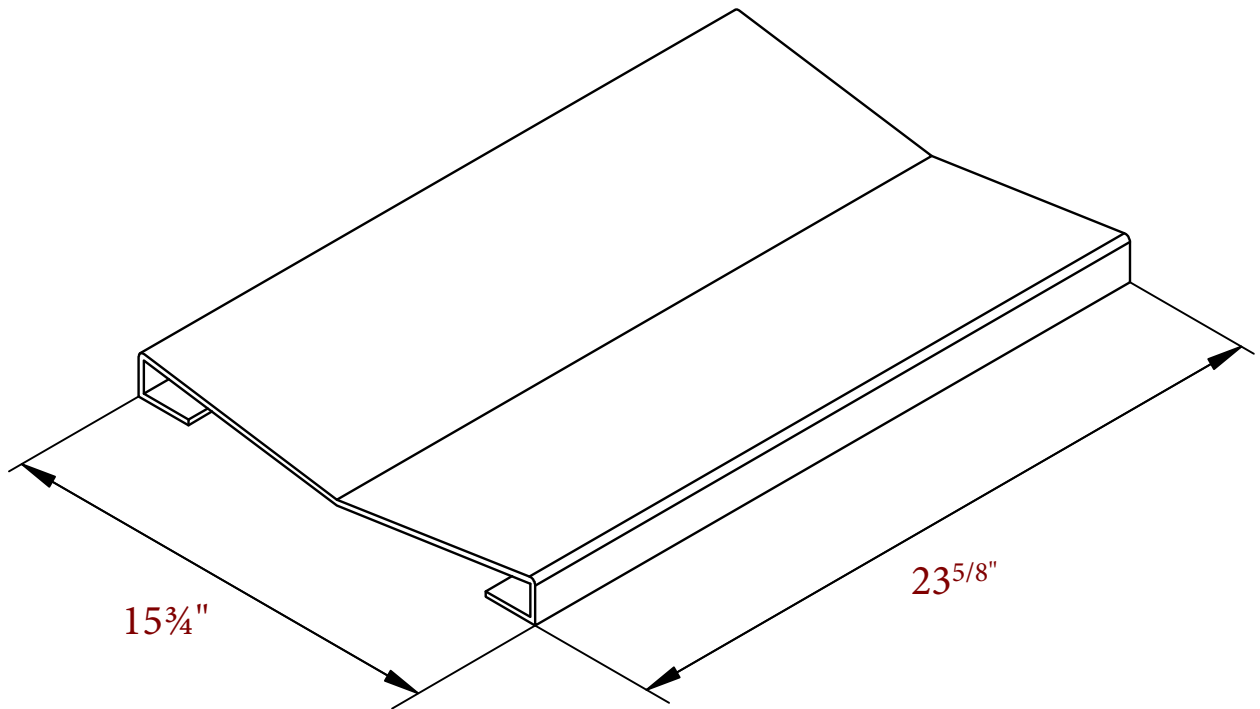


HYDC-VBLK



Overall Dimensions: $15\frac{3}{4}$ " W x $23\frac{5}{8}$ " L x $3\frac{1}{8}$ " H