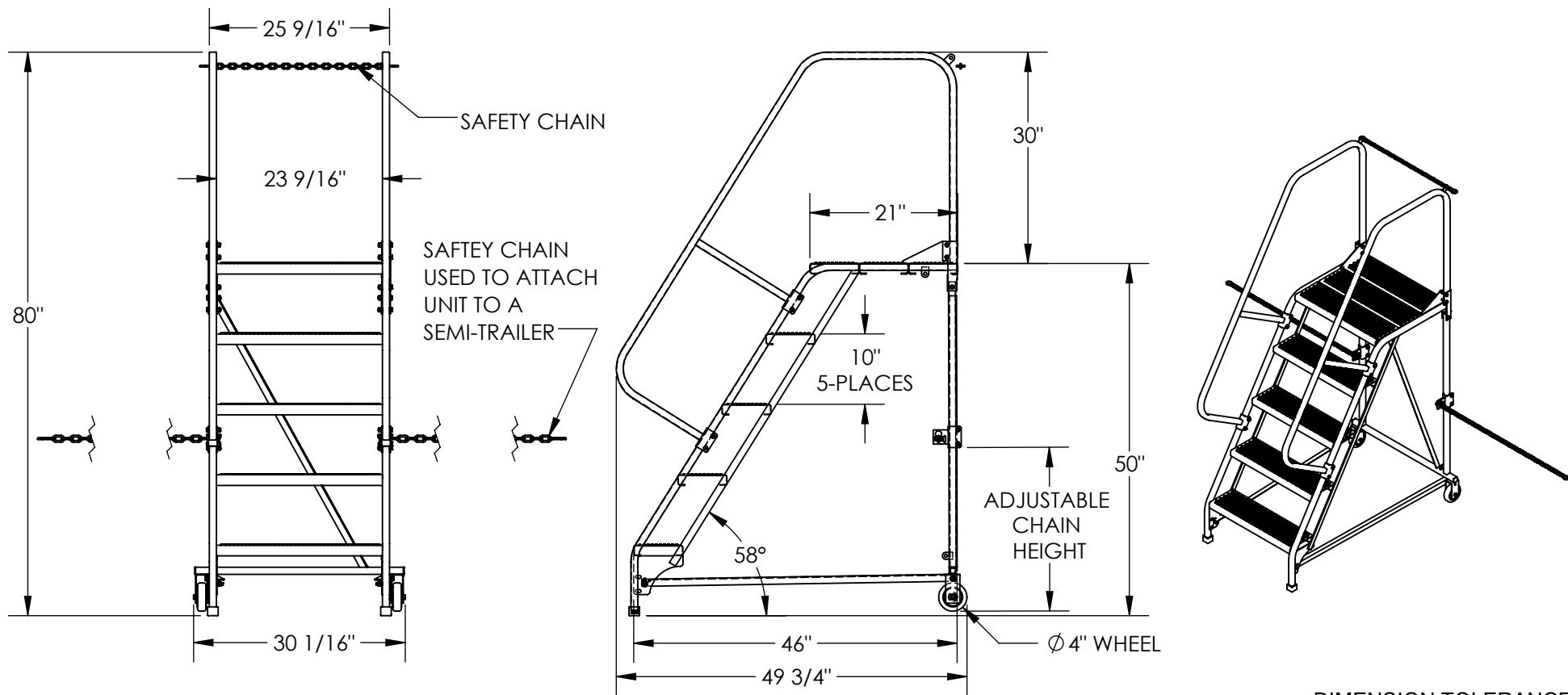


# SEMI-TRAILER ACCESS LADDER - LAD-STAL-5-P-YL

APPROX WEIGHT: 130 lbs.  
DOES NOT INCLUDE WEIGHT OF POWER OR PACKAGING!!!

\*\*\* ANY ADDITIONS, DELETIONS, OR OMISSIONS MUST BE CORRECTED ON THIS DRAWING AS THIS DRAWING WILL BE CONSIDERED ALL INCLUSIVE \*\*\*  
ALL GRAPHICS PROVIDED ARE FOR REFERENCE ONLY. IF CERTAIN DIMENSIONS ARE CRITICAL PLEASE VERIFY THOSE DIMENSIONS WITH YOUR SALESPERSON



DIMENSION TOLERANCE ± 1/4"

## STANDARD FEATURES

- MODEL NUMBER IS LAD-STAL-5-P-YL
- OVERALL WIDTH IS 30 1/16"
- USABLE WIDTH IS 23 9/16"
- OVERALL LENGTH IS 49 3/4"
- USABLE LENGTH IS 46"
- OVERALL HEIGHT IS 80"
- PLATFORM HEIGHT IS 50"
- TOUGH BAKED IN POWDER COAT YELLOW FINISH
- STEP TYPE IS PERFORATED STEPS
- CLIMB ANGLE IS 58°
- STEP DIM. IS 24" X 7"
- MAX CAPACITY IS 350 LBS

## SPECIAL FEATURES

NONE

## NOTE

-SOME ASSEMBLY REQUIRED

<b>APPROVAL</b>	I, THE UNDERSIGNED, AGREE THAT THE PRODUCT AS REPRESENTED SATISFIES DESIGN AND DIMENSION REQUIREMENTS. I ALSO ACKNOWLEDGE MY DUTY TO CONFIRM PRODUCT AND INSTALLATION COMPLIANCE WITH ALL APPLICABLE FEDERAL, STATE AND LOCAL REGULATIONS AND STANDARDS.	
	<b>ANY MODIFIED UNITS ARE NON-RETURNABLE</b>	
	[ ] As drawn      [ ] As marked	
	Signed: _____ Date: _____	
Printed Name: _____		
<b>LEAD TIME WILL START UPON RECEIPT OF SIGNED APPROVAL DRAWING</b>		

FOR INTERNAL USE ONLY PROJECT SIGN OFF	
SALES	
ENG.	
FAB.	
POWER	

DISTRIBUTOR'S NAME:		P.O.#
VESTIL MANUFACTURING		X
DRAWN BY: TAL		W.O.#
DATE: 7/10/2019		X
REFERENCE: X	SCALE: 1:22	SALES: X
QUOTED LEAD TIME: X	QUOTE #	FILE NAME:
	X	44-007-691-001