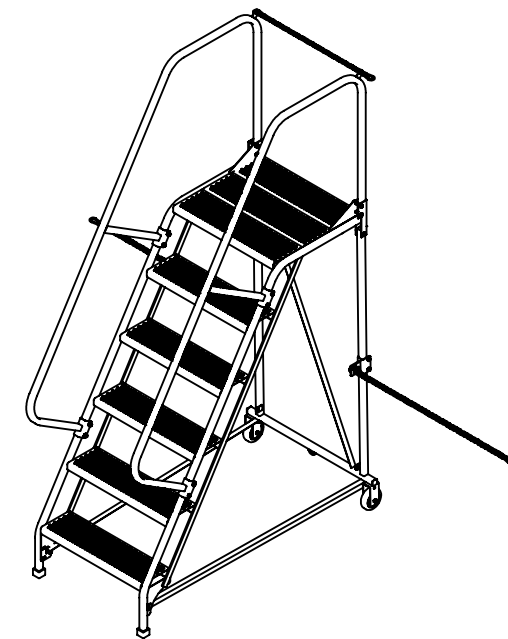
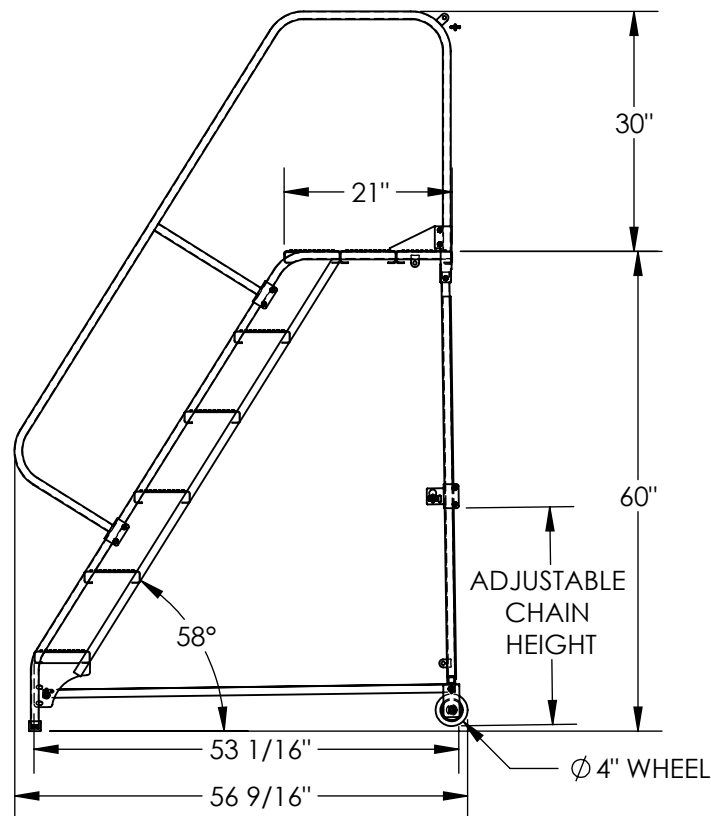
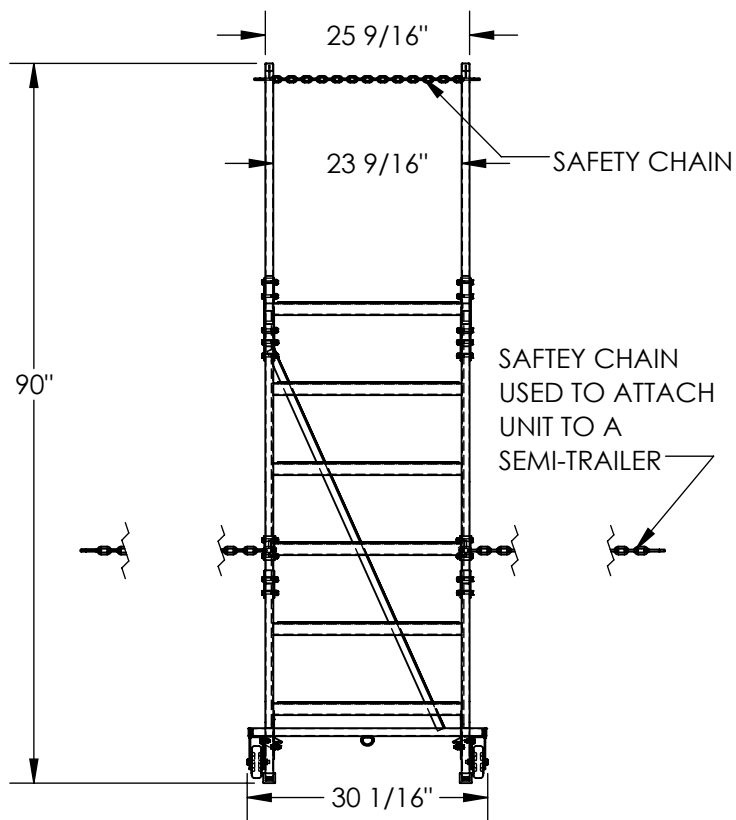


# SEMI-TRAILER ACCESS LADDER - LAD-STAL-6-P

APPROX WEIGHT: 146 lbs.  
DOES NOT INCLUDE WEIGHT OF POWER OR PACKAGING!!!

\*\*\* ANY ADDITIONS, DELETIONS, OR OMISSIONS MUST BE CORRECTED ON THIS DRAWING AS THIS DRAWING WILL BE CONSIDERED ALL INCLUSIVE \*\*\*  
ALL GRAPHICS PROVIDED ARE FOR REFERENCE ONLY. IF CERTAIN DIMENSIONS ARE CRITICAL PLEASE VERIFY THOSE DIMENSIONS WITH YOUR SALESPERSON



DIMENSION TOLERANCE ± 1/4"

## STANDARD FEATURES

- MODEL NUMBER IS LAD-STAL-6-P
- OVERALL WIDTH IS 30 1/16"
- USABLE WIDTH IS 23 9/16"
- OVERALL LENGTH IS 56 9/16"
- USABLE LENGTH IS 53 1/16"
- OVERALL HEIGHT IS 90"
- PLATFORM HEIGHT IS 60"
- TOUGH BAKED IN POWDER COAT BLUE FINISH
- STEP TYPE IS PERFORATED STEPS
- CLIMB ANGLE IS 58°
- STEP DIM. IS 24" X 7"
- MAX CAPACITY IS 350 LBS

## SPECIAL FEATURES

- NONE
- NOTE**  
-SOME ASSEMBLY REQUIRED

<b>APPROVAL</b>	I, THE UNDERSIGNED, AGREE THAT THE PRODUCT AS REPRESENTED SATISFIES DESIGN AND DIMENSION REQUIREMENTS. I ALSO ACKNOWLEDGE MY DUTY TO CONFIRM PRODUCT AND INSTALLATION COMPLIANCE WITH ALL APPLICABLE FEDERAL, STATE AND LOCAL REGULATIONS AND STANDARDS.	
	<b>ANY MODIFIED UNITS ARE NON-RETURNABLE</b>	
	[ ] As drawn      [ ] As marked	
	Signed: _____	Date: _____
Printed Name: _____		
<b>LEAD TIME WILL START UPON RECEIPT OF SIGNED APPROVAL DRAWING</b>		

FOR INTERNAL USE ONLY PROJECT SIGN OFF	
SALES	
ENG.	
FAB.	
POWER	

DISTRIBUTOR'S NAME:		P.O.#
VESTIL MANUFACTURING		X
W.O.#		X
DRAWN BY: TAL	DATE: 7/11/2019	SALES: X
REFERENCE: X	SCALE: 1:24	FILE NAME:
QUOTED LEAD TIME: X	QUOTE # X	44-007-692