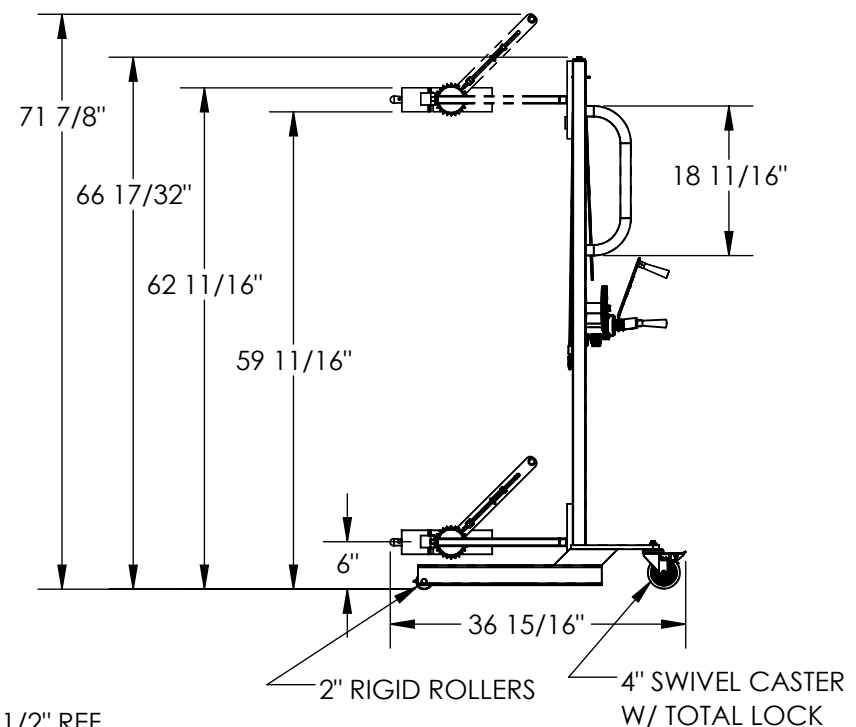
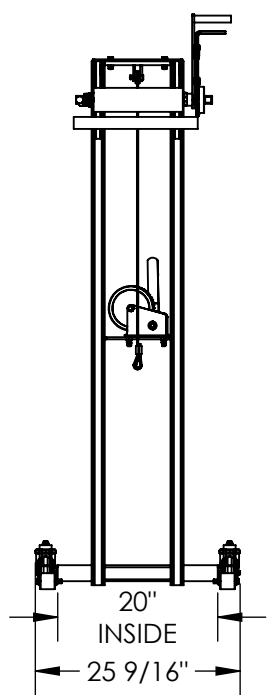
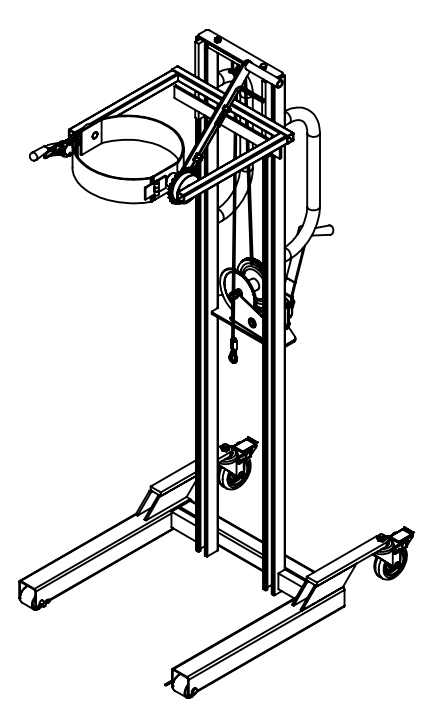


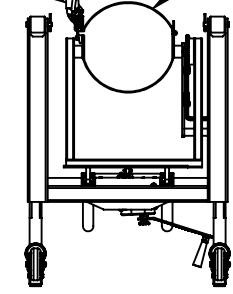
STAINLESS STEEL VARIABLE HEIGHT PAIL DISPENSER - LLW-PAILD-100-PSS

APPROX WEIGHT: 112.30 lbs.
DOES NOT INCLUDE WEIGHT OF POWER OR PACKAGING!!!

*** ANY ADDITIONS, DELETIONS, OR OMISSIONS MUST BE CORRECTED ON THIS DRAWING AS THIS DRAWING WILL BE CONSIDERED ALL INCLUSIVE ***
ALL GRAPHICS PROVIDED ARE FOR REFERENCE ONLY. IF CERTAIN DIMENSIONS ARE CRITICAL PLEASE VERIFY THOSE DIMENSIONS WITH YOUR SALESPERSON



PULL-ACTION CLAMP
Ø11 1/2" REF.
(MAX. PAIL Ø IS 11")



STANDARD FEATURES

- MODEL NUMBER IS LLW-PAILD-100-PSS
- OVERALL WIDTH IS 25 9/16"
- OVERALL LENGTH IS 36 15/16"
- OVERALL HEIGHT IS 71 7/8"
- Ø4" POLYURETHANE REAR SWIVEL CASTER WITH TOTAL LOCK
- STANDARD Ø2" STEEL FRONT ROLLERS
- CARRIAGE HAS SOLID FRONT STRAP AND PULL-ACTION CLAM LATCH
- STANDARD CAPACITY: 125 LBS.
- 304 STAINLESS STEEL CONSTRUCTION (BUSHINGS, POLY CASTERS AND RIGGINGS, AND SOME HARDWARE MAY NOT BE STAINLESS)
- STAINLESS STEEL WINCH AND 18-8 STAINLESS STEEL CABLE
- STAINLESS STEEL COMPONENTS HAVE AN UNPOLISHED (MILL) FINISH

SPECIAL FEATURES

NONE

DIMENSION TOLERANCE ± 1/4"

I, THE UNDERSIGNED, AGREE THAT THE PRODUCT AS REPRESENTED SATISFIES DESIGN AND DIMENSION REQUIREMENTS. I ALSO ACKNOWLEDGE MY DUTY TO CONFIRM PRODUCT AND INSTALLATION COMPLIANCE WITH ALL APPLICABLE FEDERAL, STATE AND LOCAL REGULATIONS AND STANDARDS.

ANY MODIFIED UNITS ARE NON-RETURNABLE

[] As drawn [] As marked

Signed: _____ Date: _____

Printed Name: _____

LEAD TIME WILL START UPON RECEIPT OF SIGNED APPROVAL DRAWING

DISTRIBUTOR'S NAME:		P.O.#
VESTIL MANUFACTURING		X
DRAWN BY: C.CLEMENS		DATE: 7/10/18
REFERENCE: X		SCALE: 1:24
QUOTED LEAD TIME: X		QUOTE # X
		W.O.# X
		SALES: X
		FILE NAME: 21-007-136

FOR INTERNAL USE ONLY PROJECT SIGN OFF	
SALES	
ENG.	
FAB.	
POWER	