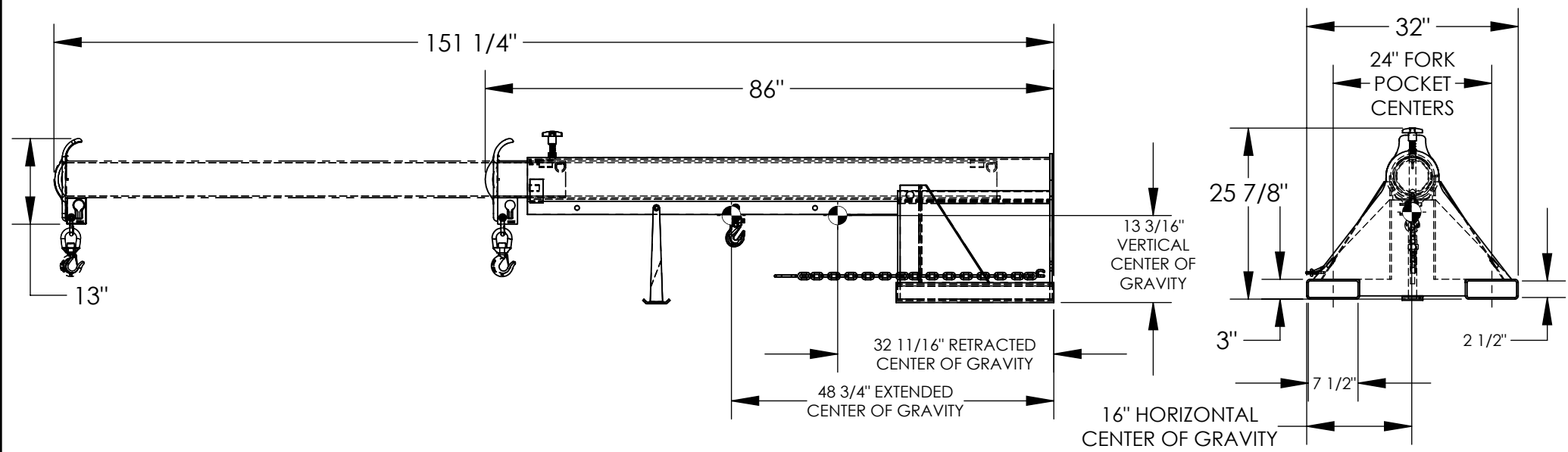


# LIFT MASTER BOOM, LIFT MASTER ONE, TELESCOPING BOOM - LM-1T-4-24

APPROX WEIGHT: 434.29 lbs.  
 DOES NOT INCLUDE WEIGHT OF POWER OR PACKAGING!!!

\*\*\* ANY ADDITIONS, DELETIONS, OR OMISSIONS MUST BE CORRECTED ON THIS DRAWING AS THIS DRAWING WILL BE CONSIDERED ALL INCLUSIVE \*\*\*

ALL GRAPHICS PROVIDED ARE FOR REFERENCE ONLY. IF CERTAIN DIMENSIONS ARE CRITICAL PLEASE VERIFY THOSE DIMENSIONS WITH YOUR SALESPERSON



## \*--MAXIMUM SINGLE HOOK CAPACITIES

DISTANCE	36"	48"	60"	72"	84"	96"	108"	120"	132"	144"
CAPACITY	4000	3750	3500	3250	3000	2750	2500	2250	2000	1750

## STANDARD FEATURES

- MODEL NUMBER: LM-1T-4-24
- CAPACITY: 4,000 LBS
- LOST LOAD - 435 LBS
- OVERALL HEIGHT - 25 7/8"
- LENGTH (RETRACTED) - 86"
- LENGTH (EXTENDED) - 151 1/4"
- OVERALL WIDTH - 32"
- USABLE FORK POCKET - 2 1/2" X 7 1/2"
- 24" FORK POCKET CENTERS
- 36" MINIMUM HOOK POINT
- 144" MAXIMUM HOOK POINT
- EFFECTIVE THICKNESS: LESS THAN 1"
- TOUGH BAKED IN POWDER COATED
- BLUE BASE FRAME W/ YELLOW EXTENSION

## SPECIAL FEATURES

NONE

DIMENSION TOLERANCE ± 1/4"

**A P P R O V A L**

I, THE UNDERSIGNED, AGREE THAT THE PRODUCT AS REPRESENTED SATISFIES DESIGN AND DIMENSION REQUIREMENTS. I ALSO ACKNOWLEDGE MY DUTY TO CONFIRM PRODUCT AND INSTALLATION COMPLIANCE WITH ALL APPLICABLE FEDERAL, STATE AND LOCAL REGULATIONS AND STANDARDS.

**UNITS REQUIRING APPROVAL DRAWINGS OR MODIFIED ARE NON-RETURNABLE**

[ ] As drawn [ ] As marked

Signed: \_\_\_\_\_ Date: \_\_\_\_\_

Printed Name: \_\_\_\_\_

*LEAD TIME WILL START UPON RECEIPT OF SIGNED APPROVAL DRAWING*

DISTRIBUTOR'S NAME: VESTIL MANUFACTURING

P.O.# X

W.O.# X

DRAWN BY: BCN DATE: 6/1/2016 SALES: X

REFERENCE: X SCALE: 1:22 FILE NAME: 08-007-128

QUOTED LEAD TIME: X QUOTE # X

NEVER EXCEED LOAD CENTER RATING PER FORK TRUCK MANUFACTURER'S GUIDELINES. DO NOT USE THIS FORK TRUCK ATTACHEMENT IF LOAD WILL EXCEED FORK TRUCK MANUFACTURER'S LOAD CENTER RATING.