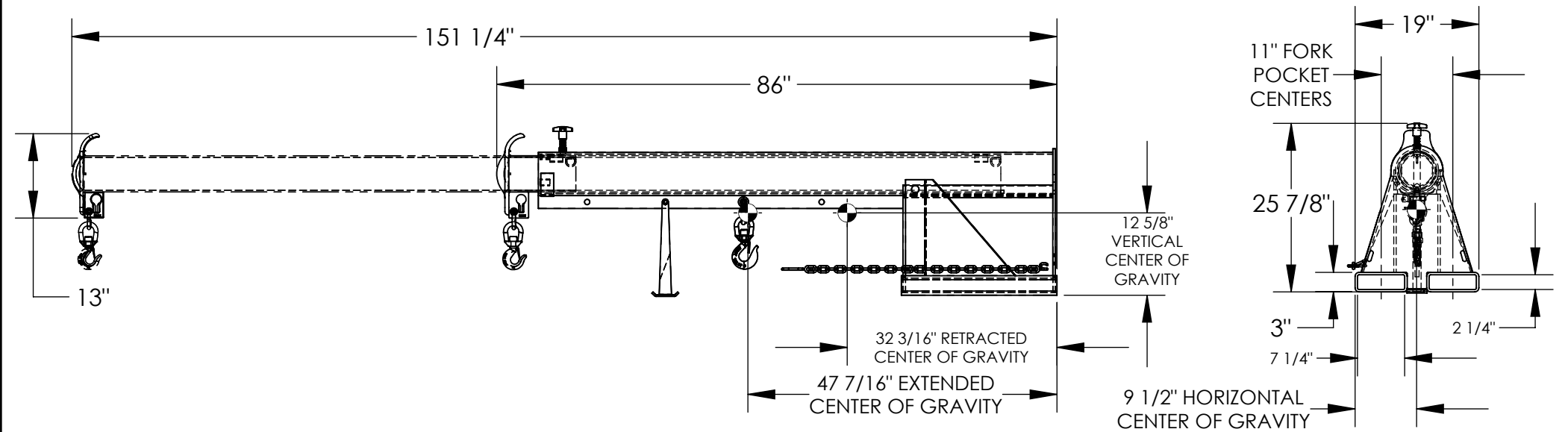


LIFT MASTER BOOM, LIFT MASTER ONE, TELESCOPING BOOM - LM-1T-6-11

APPROX WEIGHT: 458.18 lbs.
 DOES NOT INCLUDE WEIGHT OF POWER OR PACKAGING!!!

*** ANY ADDITIONS, DELETIONS, OR OMISSIONS MUST BE CORRECTED ON THIS DRAWING AS THIS DRAWING WILL BE CONSIDERED ALL INCLUSIVE ***
 ALL GRAPHICS PROVIDED ARE FOR REFERENCE ONLY. IF CERTAIN DIMENSIONS ARE CRITICAL PLEASE VERIFY THOSE DIMENSIONS WITH YOUR SALESPERSON



*--MAXIMUM SINGLE HOOK CAPACITIES

DISTANCE	36"	48"	60"	72"	84"	96"	108"	120"	132"	144"
CAPACITY	6000	5000	4500	4000	3500	3000	2600	2300	2000	1800

STANDARD FEATURES

- MODEL NUMBER: LM-1T-6-11
- CAPACITY: 6,000 LBS
- LOST LOAD - 460 LBS
- OVERALL HEIGHT - 25 7/8"
- LENGTH (RETRACTED) - 86"
- LENGTH (EXTENDED) - 151 1/4"
- OVERALL WIDTH - 19"
- USABLE FORK POCKET - 2 1/4" X 7 1/4"
- 11" FORK POCKET CENTERS
- 36" MINIMUM HOOK POINT
- 144" MAXIMUM HOOK POINT
- EFFECTIVE THICKNESS: LESS THAN 1"
- TOUGH BAKED IN POWDER COATED
- BLUE BASE FRAME W/ YELLOW EXTENSION

SPECIAL FEATURES

NONE

DIMENSION TOLERANCE ± 1/4"

NEVER EXCEED LOAD CENTER RATING PER FORK TRUCK MANUFACTURER'S GUIDELINES.
 DO NOT USE THIS FORK TRUCK ATTACHEMENT IF LOAD WILL EXCEED FORK TRUCK MANUFACTURER'S LOAD CENTER RATING.

APPROVAL

I, THE UNDERSIGNED, AGREE THAT THE PRODUCT AS REPRESENTED SATISFIES DESIGN AND DIMENSION REQUIREMENTS. I ALSO ACKNOWLEDGE MY DUTY TO CONFIRM PRODUCT AND INSTALLATION COMPLIANCE WITH ALL APPLICABLE FEDERAL, STATE AND LOCAL REGULATIONS AND STANDARDS.

UNITS REQUIRING APPROVAL DRAWINGS OR MODIFIED ARE NON-RETURNABLE

As drawn As marked

Signed: _____ Date: _____

Printed Name: _____

LEAD TIME WILL START UPON RECEIPT OF SIGNED APPROVAL DRAWING

DISTRIBUTOR'S NAME:		P.O.#
VESTIL MANUFACTURING		X
DRAWN BY: BCN		W.O.#
DATE: 6/1/2016		X
REFERENCE: X	SCALE: 1:22	SALES: X
QUOTED LEAD TIME: X	QUOTE # X	FILE NAME:
		08-007-204