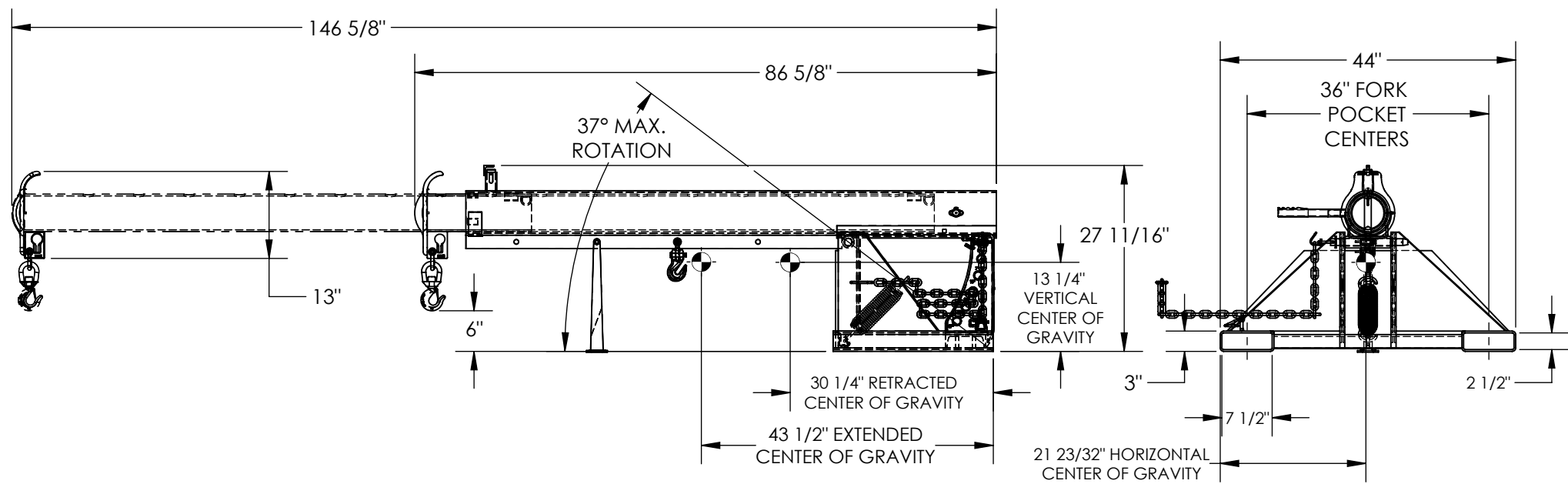


LIFT MASTER BOOM, ORBIT TELESCOPING BOOM-LM-OBT-4-36

APPROX WEIGHT: 491.12 lbs.
 DOES NOT INCLUDE WEIGHT OF POWER OR PACKAGING!!!

*** ANY ADDITIONS, DELETIONS, OR OMISSIONS MUST BE CORRECTED ON THIS DRAWING AS THIS DRAWING WILL BE CONSIDERED ALL INCLUSIVE ***
 ALL GRAPHICS PROVIDED ARE FOR REFERENCE ONLY. IF CERTAIN DIMENSIONS ARE CRITICAL PLEASE VERIFY THOSE DIMENSIONS WITH YOUR SALESPERSON



*--MAXIMUM SINGLE HOOK CAPACITIES

DISTANCE	36"	48"	60"	72"	84"	96"	108"	120"	132"	144"
CAPACITY	4000	3750	3500	3250	3000	2750	2500	2250	2000	1750

STANDARD FEATURES

- MODEL NUMBER IS LM-OBT-4-36
- CAPACITY IS 4,000 LBS
- MAXIMUM TILT ANGLE IS 37°
- OVERALL HEIGHT - 27 11/16"
- HEIGHT (MAX TILTED) - 99 1/2"
- LENGTH RETRACTED - 86 5/8"
- LENGTH EXTENDED - 146 5/8"
- OVERALL WIDTH IS 44"
- 36" MINIMUM HOOK POINT
- 144" MAXIMUM HOOK POINT
- HOOK HEIGHT - 6"
- HOOK HEIGHT (MAX TILTED) - 78 5/16"
- USABLE FORK POCKET - 2 1/2"x7 1/2"
- 36" FORK POCKET CENTERS
- TOUGH BAKED IN POWDER COATED
- BLUE BASE FRAME W/ YELLOW EXTENSION

SPECIAL FEATURES

NONE

APPROX. WEIGHT / LOST LOAD = 491.12
 MINIMUM EFFECTIVE THICKNESS = LESS THAN 1"
 NEVER EXCEED LOAD CENTER
 RATING PER FORKTRUCK
 MANUFACTURERS GUIDELINES.
 DO NOT USE THIS FORK TRUCK
 ATTACHMENT IF LOAD WILL
 EXCEED FORK TRUCK MANUFACTURER'S
 LOAD CENTER RATING

DIMENSION TOLERANCE ± 1/4"

APPROVAL

I, THE UNDERSIGNED, AGREE THAT THE PRODUCT AS REPRESENTED SATISFIES DESIGN AND DIMENSION REQUIREMENTS. I ALSO ACKNOWLEDGE MY DUTY TO CONFIRM PRODUCT AND INSTALLATION COMPLIANCE WITH ALL APPLICABLE FEDERAL, STATE AND LOCAL REGULATIONS AND STANDARDS.

UNITS REQUIRING APPROVAL DRAWINGS OR MODIFIED ARE NON-RETURNABLE

[] As drawn [] As marked

Signed: _____ Date: _____

Printed Name: _____

LEAD TIME WILL START UPON RECEIPT OF SIGNED APPROVAL DRAWING

DISTRIBUTOR'S NAME:		P.O.#
VESTIL MANUFACTURING		X
DRAWN BY: B.NOTHNAGEL		DATE: 7/1/2015
REFERENCE: X		SCALE: 1:22
QUOTED LEAD TIME: X	QUOTE # X	SALES: X
		FILE NAME: 08-007-304