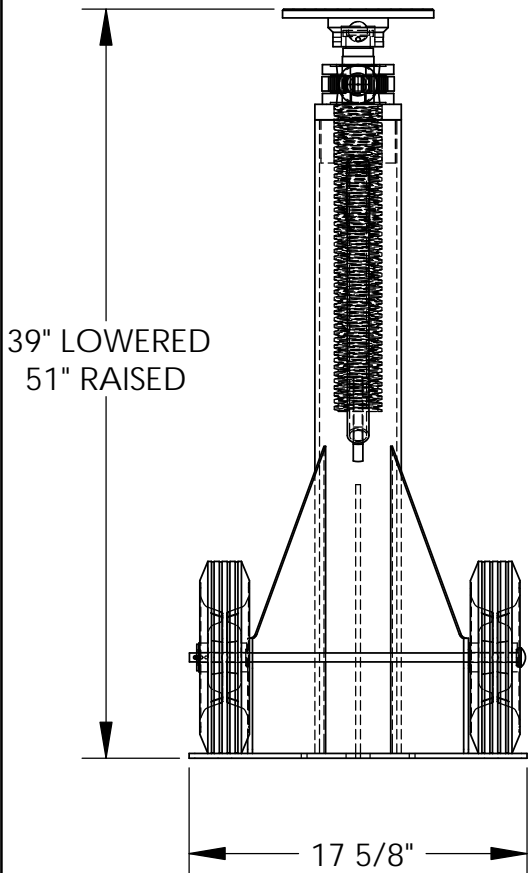


RATCHET TRAILER STABILIZING JACK - LO-J-100

APPROX WEIGHT: 119.90 lbs.
DOES NOT INCLUDE WEIGHT OF POWER OR PACKAGING!!!

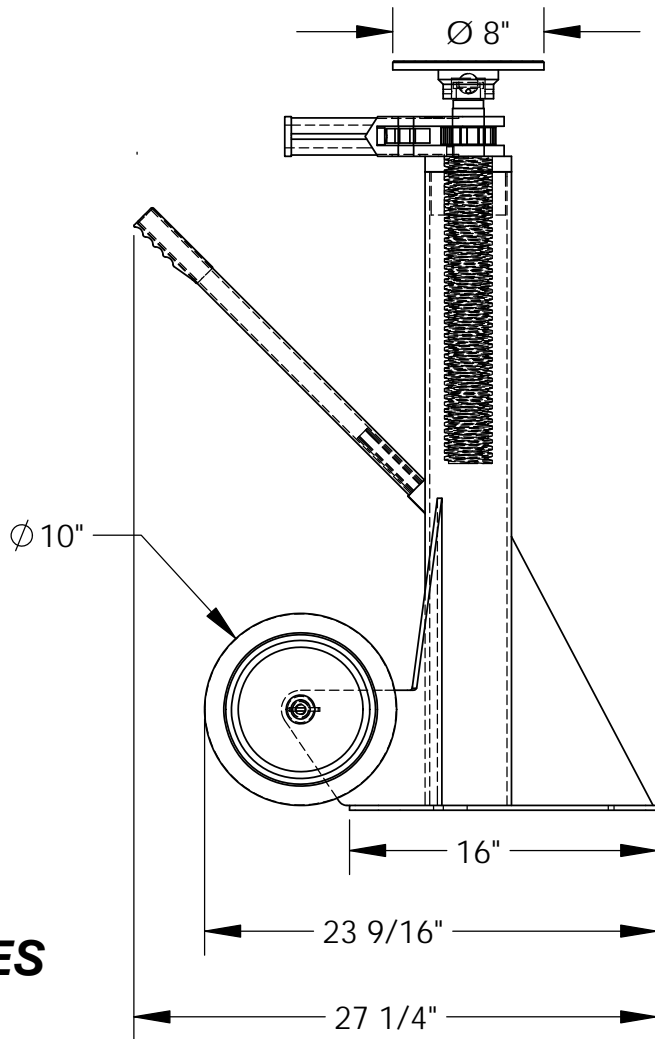
*** ANY ADDITIONS, DELETIONS, OR OMISSIONS MUST BE CORRECTED ON THIS DRAWING AS THIS DRAWING WILL BE CONSIDERED ALL INCLUSIVE ***

ALL GRAPHICS PROVIDED ARE FOR REFERENCE ONLY. IF CERTAIN DIMENSIONS ARE CRITICAL PLEASE VERIFY THOSE DIMENSIONS WITH YOUR SALESPERSON



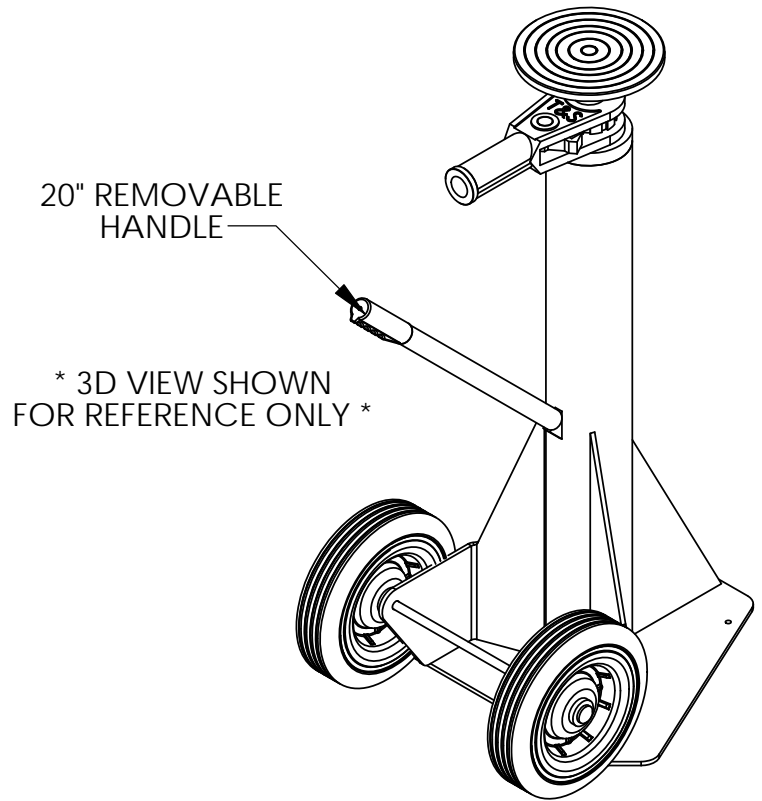
STANDARD FEATURES

MODEL NUMBER: LO-J-100
 OVERALL WIDTH: 17 5/8"
 OVERALL LENGTH: 27 1/4"
 SERVICE RANGE: 39" TO 51"
 STATIC CAPACITY: 100,000 LBS.
 LIFTING CAPACITY: 50,000 LBS.
 TOP CAP: 8" DIAMETER
 WHEEL SIZE IS Ø10"
 HANDLE LENGTH IS 20"



SPECIAL FEATURES

NONE



20" REMOVABLE HANDLE

* 3D VIEW SHOWN FOR REFERENCE ONLY *

DIMENSION TOLERANCE ± 1/4"

APPROVAL

I, THE UNDERSIGNED, AGREE THAT THE PRODUCT AS REPRESENTED SATISFIES DESIGN AND DIMENSION REQUIREMENTS. I ALSO ACKNOWLEDGE MY DUTY TO CONFIRM PRODUCT AND INSTALLATION COMPLIANCE WITH ALL APPLICABLE FEDERAL, STATE AND LOCAL REGULATIONS AND STANDARDS.

ANY MODIFIED UNITS ARE NON-RETURNABLE

As drawn As marked

Signed: _____ Date: _____

Printed Name: _____

LEAD TIME WILL START UPON RECEIPT OF SIGNED APPROVAL DRAWING

FOR INTERNAL USE ONLY
PROJECT SIGN OFF

SALES	
ENG.	
FAB.	
POWER	

DISTRIBUTOR'S NAME:		P.O.#	
VESTIL MANUFACTURING		X	
DRAWN BY: B.NOTHNAGEL		W.O.#	
DATE: 11/19/2015		X	
REFERENCE: X		SALES: X	
QUOTED LEAD TIME: X		SCALE: 1:10	
QUOTE #		FILE NAME:	
X		13-007-034	

MAXIMUM WORKING CAPACITY AT GRADE (%)

0.00%	0.50%	1.00%	1.50%	2.00%	2.50%	3.00%	3.50%	4.00%
100,000	80,000	66,000	55,000	46,000	41,000	37,000	33,000	29,000