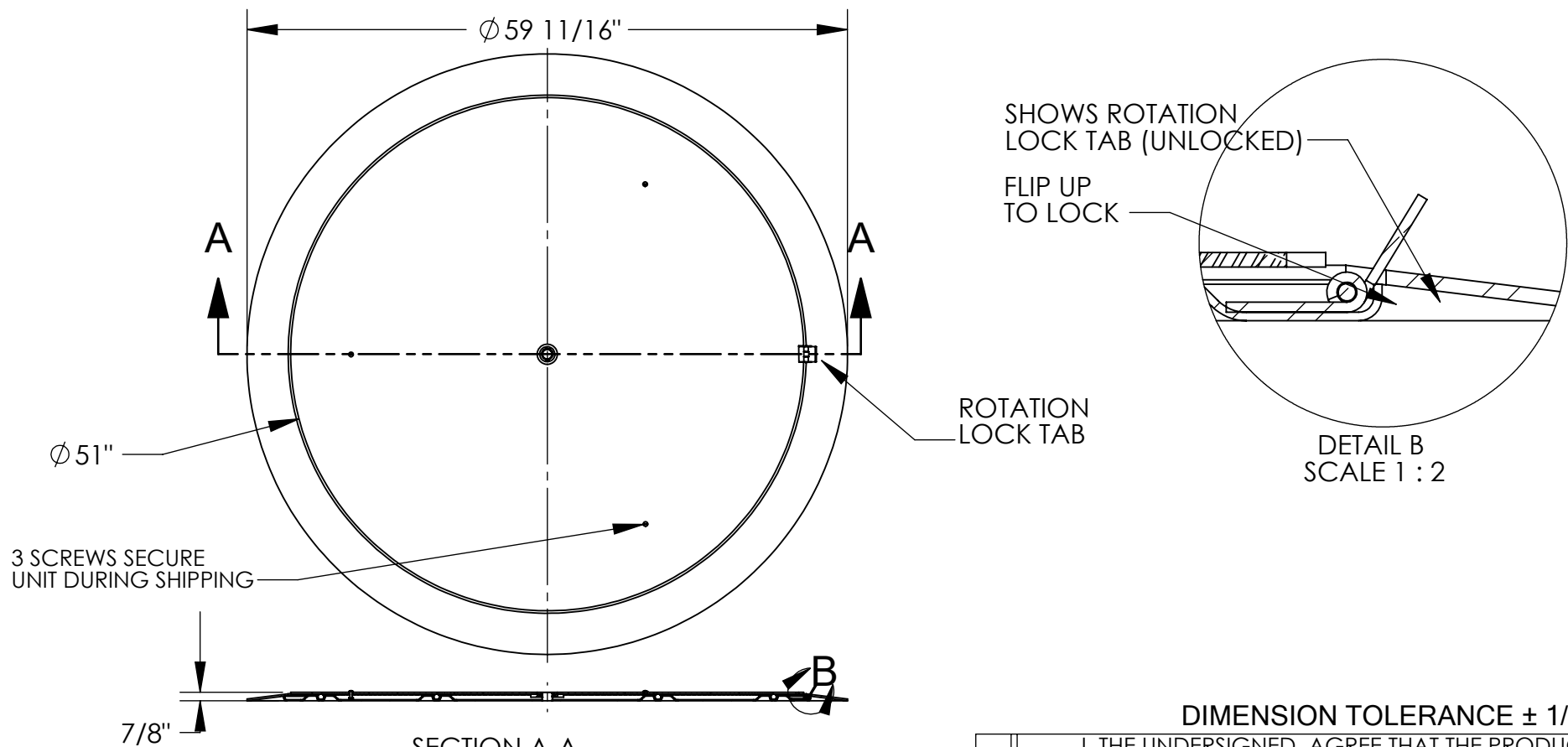


# THIN SPIN - PALLET TRUCK LOADABLE CAROUSEL - LP-4000T

APPROX WEIGHT: 219.76 lbs.  
 DOES NOT INCLUDE WEIGHT OF POWER OR PACKAGING!!!

\*\*\* ANY ADDITIONS, DELETIONS, OR OMISSIONS MUST BE CORRECTED ON THIS DRAWING AS THIS DRAWING WILL BE CONSIDERED ALL INCLUSIVE \*\*\*

ALL GRAPHICS PROVIDED ARE FOR REFERENCE ONLY. IF CERTAIN DIMENSIONS ARE CRITICAL PLEASE VERIFY THOSE DIMENSIONS WITH YOUR SALESPERSON



SECTION A-A  
 SCALE 1 : 16

## STANDARD FEATURES

- MODEL NUMBER IS LP-4000T
- CAPACITY IS 4,000 LBS
- USEABLE DIAMETER IS 51"
- OVERALL DIAMETER IS 59 11/16"
- OVERALL HEIGHT IS 7/8"
- STARTING FORCE: 35 LBS @ 4,000 LBS
- MAINTAIN FORCE : 25 LBS @ 4,000 LBS
- DURABLE LIQUID PAINT BLUE FINISH

## SPECIAL FEATURES

NONE

**DIMENSION TOLERANCE ± 1/4"**

A P P R O V A L	I, THE UNDERSIGNED, AGREE THAT THE PRODUCT AS REPRESENTED SATISFIES DESIGN AND DIMENSION REQUIREMENTS. I ALSO ACKNOWLEDGE MY DUTY TO CONFIRM PRODUCT AND INSTALLATION COMPLIANCE WITH ALL APPLICABLE FEDERAL, STATE AND LOCAL REGULATIONS AND STANDARDS.	
	<b>ANY MODIFIED UNITS ARE NON-RETURNABLE</b>	
	[ ] As drawn      [ ] As marked	
	Signed: _____	Date: _____
Printed Name: _____		
<i>LEAD TIME WILL START UPON RECEIPT OF SIGNED APPROVAL DRAWING</i>		

FOR INTERNAL USE ONLY PROJECT SIGN OFF	
SALES	
ENG.	
FAB.	
POWER	

DISTRIBUTOR'S NAME:		P.O.#
VESTIL MANUFACTURING		X
DRAWN BY: MSC		W.O.#
DATE: 09/20/2009		X
REFERENCE: X	SCALE: 1:12	SALES: X
QUOTED LEAD TIME: X	QUOTE #	FILE NAME:
	X	20-007-002