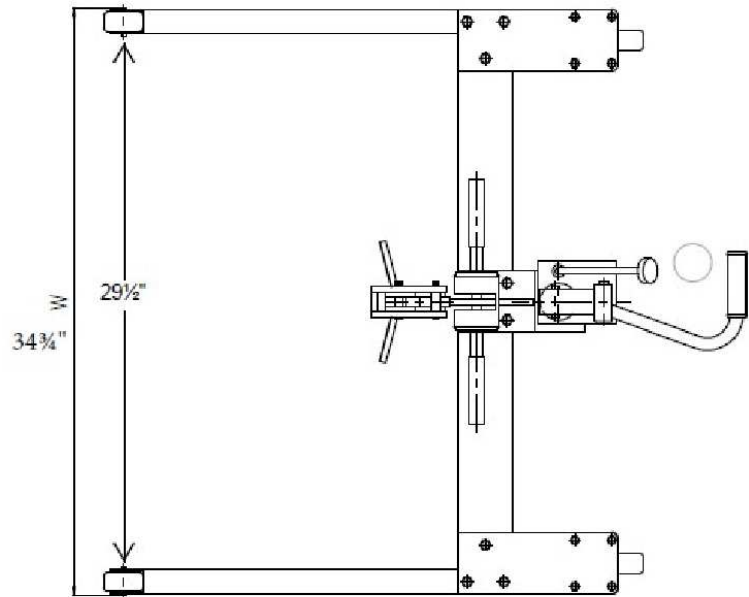
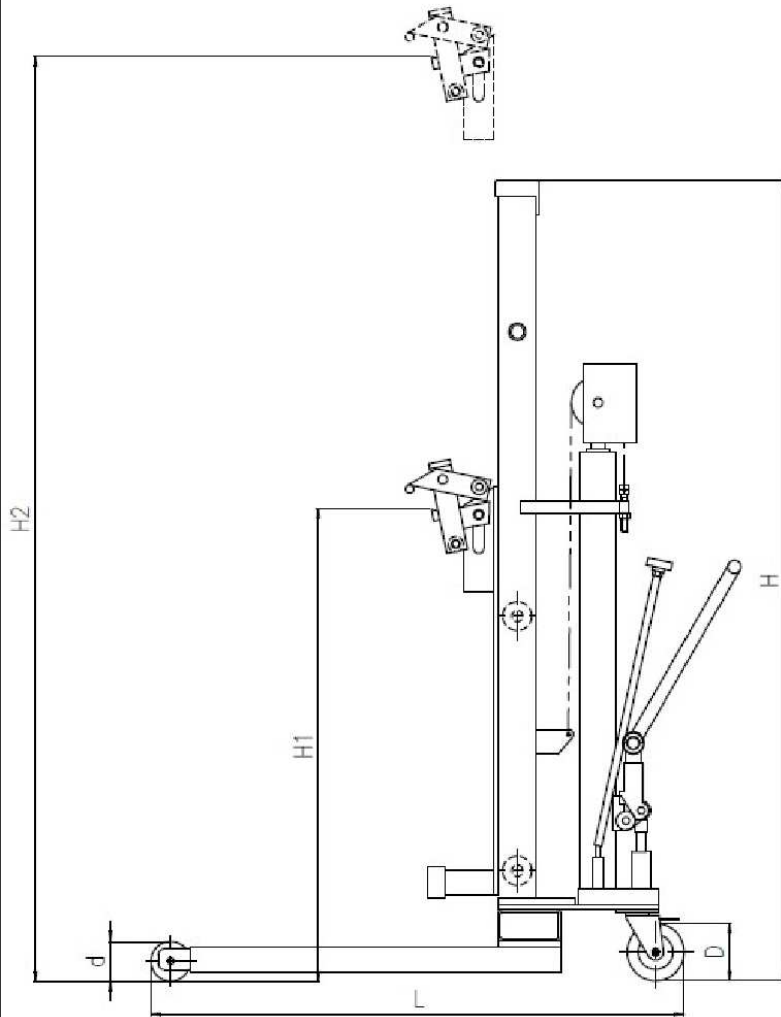


# Manual Low Profile Hydraulic Drum Truck - LPDT

APPROX WEIGHT: 150 lbs.  
DOES NOT INCLUDE WEIGHT OF POWER OR PACKAGING!!!

\*\*\*ANY ADDITIONS, DELETIONS, OR OMISSIONS MUST BE CORRECTED ON THIS DRAWING AS THIS DRAWING WILL BE CONSIDERED ALL INCLUSIVE\*\*\*



## STANDARD FEATURES

MODEL NUMBER IS LPDT  
CAPACITY IS 600 LBS

DIMENSION TOLERANCE  $\pm 1/2"$

Drum Diameter	$\emptyset$ (inch)	22 1/2
Capacity	lbs	600
Loading wheel	d(inch)	2 1/2
Steering Wheel	D(inch)	3-3/16
Minimum Height	H1(inch)	32-7/8
Maximum Height	H2(inch)	64 1/2
Most Height	H(inch)	60
Overall Length	L(inch)	34
Overall Width	W(inch)	34 3/4
Net Weight	lbs	150

ALL GRAPHICS PROVIDED ARE FOR REFERENCE ONLY. IF CERTAIN DIMENSIONS ARE CRITICAL PLEASE VERIFY THOSE DIMENSIONS WITH YOUR SALESPERSON

APPROVAL

I, THE UNDERSIGNED, AGREE THAT THE PRODUCT AS REPRESENTED SATISFIES DESIGN AND DIMENSION REQUIREMENTS. I ALSO ACKNOWLEDGE MY DUTY TO CONFIRM PRODUCT AND INSTALLATION COMPLIANCE WITH ALL APPLICABLE FEDERAL, STATE AND LOCAL REGULATIONS AND STANDARDS.  
**UNITS REQUIRING APPROVAL DRAWINGS OR MODIFIED ARE NON-RETURNABLE**  
[ ] As drawn [ ] As marked

Signed: \_\_\_\_\_ Date: \_\_\_\_\_

Printed Name: \_\_\_\_\_

LEAD TIME WILL START UPON RECEIPT OF SIGNED APPROVAL DRAWING

DISTRIBUTOR'S NAME:		P.O.#
VESTIL MANUFACTURING		X
DRAWN BY: TAL		W.O.#
DATE: 5/5/2023		X
REFERENCE: X	SCALE: 1:48	SALES: X
QUOTED LEAD TIME: X	QUOTE #	FILE NAME:
	X	LPDT