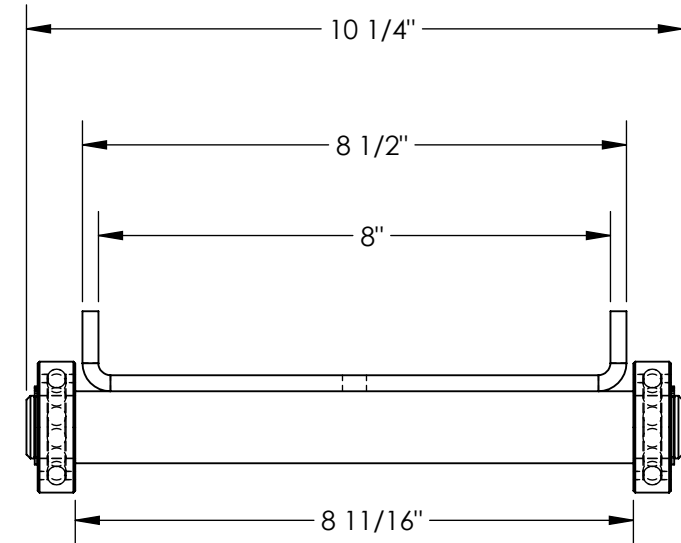
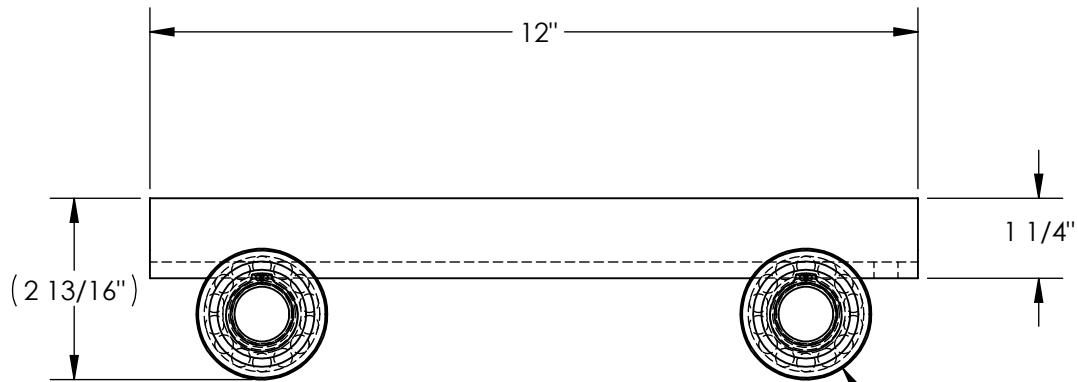


LOW PROFILE MACHINERY DOLLY - MCD-10

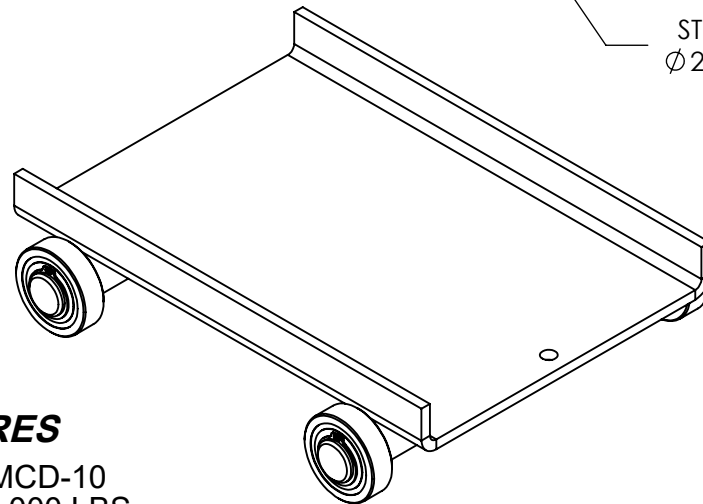
APPROX WEIGHT: 15.78 lbs.
DOES NOT INCLUDE WEIGHT OF POWER OR PACKAGING!!!

*** ANY ADDITIONS, DELETIONS, OR OMISSIONS MUST BE CORRECTED ON THIS DRAWING AS THIS DRAWING WILL BE CONSIDERED ALL INCLUSIVE ***

ALL GRAPHICS PROVIDED ARE FOR REFERENCE ONLY. IF CERTAIN DIMENSIONS ARE CRITICAL PLEASE VERIFY THOSE DIMENSIONS WITH YOUR SALESPERSON



STEEL ROLLER
Ø2 1/16" x 9/16"



DIMENSION TOLERANCE ± 1/4"

STANDARD FEATURES

- MODEL NUMBER IS MCD-10
- MAX CAPACITY IS 10,000 LBS
- DECK HEIGHT IS 1 3/4"
- OVERALL HEIGHT IS 2 13/16"
- USABLE DECK IS 8" W x 12" L
- ROLLER SIZE IS Ø2 1/16" x 9/16"
- TOUGH BAKED IN POWDER COAT BLUE FINISH

SPECIAL FEATURES

NONE

| | | |
|---|--|--|
| APPROVAL | I, THE UNDERSIGNED, AGREE THAT THE PRODUCT AS REPRESENTED SATISFIES DESIGN AND DIMENSION REQUIREMENTS. I ALSO ACKNOWLEDGE MY DUTY TO CONFIRM PRODUCT AND INSTALLATION COMPLIANCE WITH ALL APPLICABLE FEDERAL, STATE AND LOCAL REGULATIONS AND STANDARDS. | |
| | UNITS REQUIRING APPROVAL DRAWINGS OR MODIFIED ARE NON-RETURNABLE | |
| | [] As drawn [] As marked | |
| | Signed: _____ Date: _____ | |
| | Printed Name: _____ | |
| <i>LEAD TIME WILL START UPON RECEIPT OF SIGNED APPROVAL DRAWING</i> | | |

| | | |
|----------------------|------------|-----------------------|
| DISTRIBUTOR'S NAME: | | P.O.# |
| VESTIL MANUFACTURING | | X |
| DRAWN BY: M.PELPHREY | | W.O.# |
| DATE: 05/03/2018 | | X |
| REFERENCE: X | SCALE: 1:3 | SALES: X |
| QUOTED LEAD TIME: X | QUOTE # X | FILE NAME: 16-007-054 |