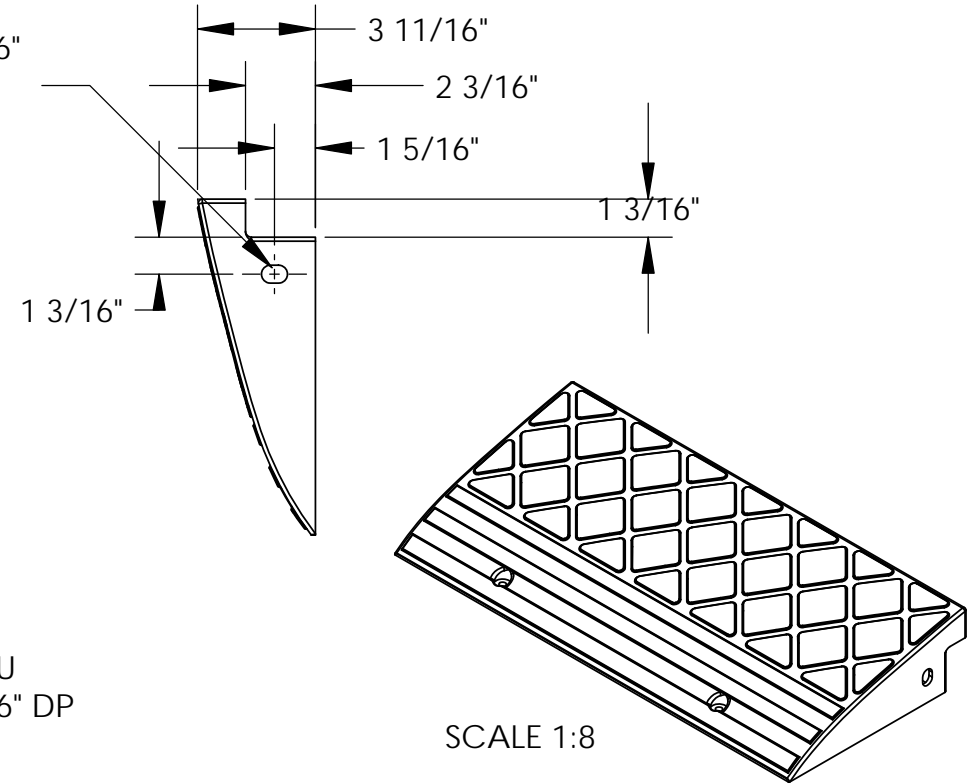
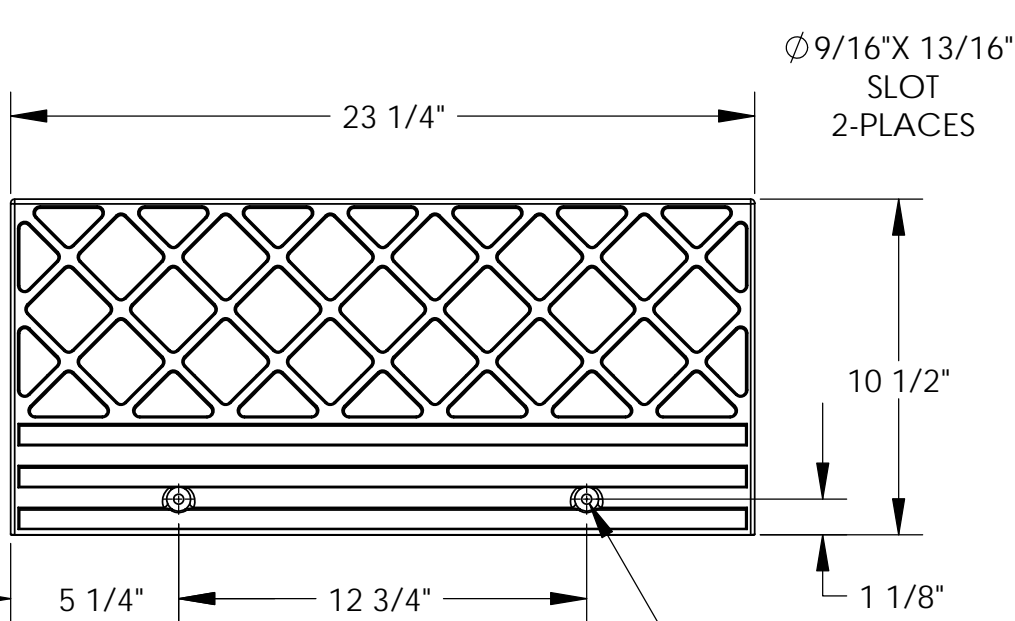


MULTI-PURPOSE RAMP - MPR-2310-G

APPROX WEIGHT: 4.77 lbs.
DOES NOT INCLUDE WEIGHT OF POWER OR PACKAGING!!!

*** ANY ADDITIONS, DELETIONS, OR OMISSIONS MUST BE CORRECTED ON THIS DRAWING AS THIS DRAWING WILL BE CONSIDERED ALL INCLUSIVE ***

ALL GRAPHICS PROVIDED ARE FOR REFERENCE ONLY. IF CERTAIN DIMENSIONS ARE CRITICAL PLEASE VERIFY THOSE DIMENSIONS WITH YOUR SALESPERSON



NOTE: HIDDEN LINES REMOVED FOR CLARITY

Ø5/16" THRU
3/4" X 9/16" DP
2-PLACES

STANDARD FEATURES

MODEL NUMBER: MPR-2310-G
OVERALL WIDTH: 23 1/4"
OVERALL LENGTH: 10 1/2"
OVERALL HEIGHT: 3 11/16"
CAPACITY: 5,000 LBS PER RAMP
MATERIAL: UV POLYPROPYLENE

SPECIAL FEATURES

NONE

DIMENSION TOLERANCE ± 1/4"

APPROVAL

I, THE UNDERSIGNED, AGREE THAT THE PRODUCT AS REPRESENTED SATISFIES DESIGN AND DIMENSION REQUIREMENTS. I ALSO ACKNOWLEDGE MY DUTY TO CONFIRM PRODUCT AND INSTALLATION COMPLIANCE WITH ALL APPLICABLE FEDERAL, STATE AND LOCAL REGULATIONS AND STANDARDS.

ALL SPECIAL UNITS ARE NON-RETURNABLE
[] As drawn [] As marked

Signed: _____ Date: _____

LEAD TIME WILL START UPON RECEIPT OF SIGNED APPROVAL DRAWING

FOR INTERNAL USE ONLY PROJECT SIGN OFF	
SALES	
ENG.	
FAB.	
POWER	

DISTRIBUTOR'S NAME:		P.O.#
VESTIL MANUFACTURING		X
DRAWN BY:	DATE:	W.O.#
ADL	01/06/16	X
REFERENCE:	SCALE:	SALES:
X	1:6	X
QUOTED LEAD TIME:	QUOTE #	FILE NAME:
X	X	30-007-071