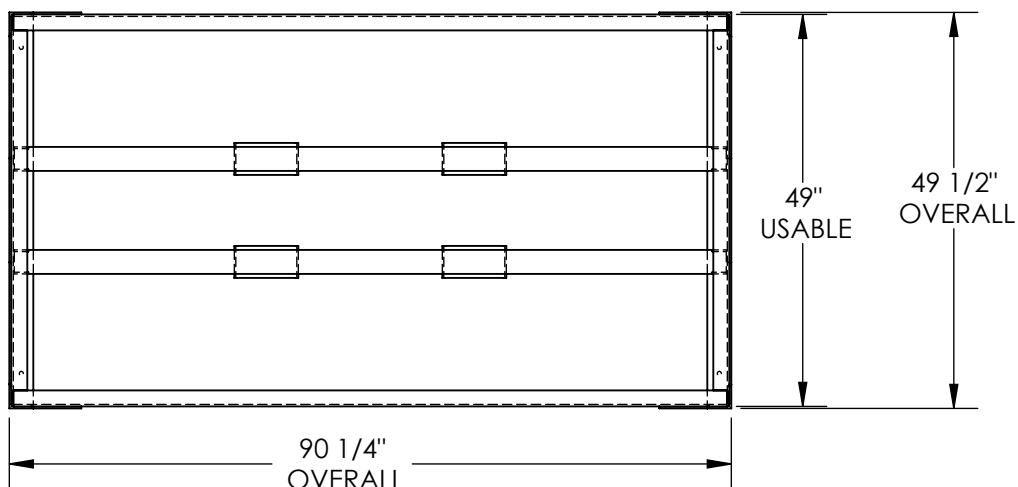


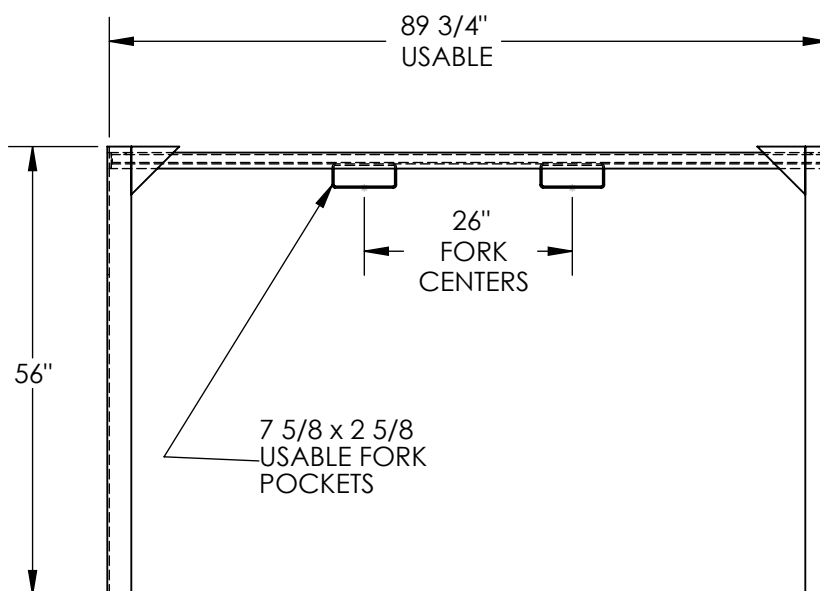
# PALLET CARGO DECKER MODEL - PCD-92

APPROX WEIGHT: 301.30 lbs.  
 DOES NOT INCLUDE WEIGHT OF POWER OR PACKAGING!!!

\*\*\*ANY ADDITIONS, DELETIONS, OR OMISSIONS MUST BE CORRECTED ON THIS DRAWING AS THIS DRAWING WILL BE CONSIDERED ALL INCLUSIVE\*\*\*



NOTE: WOODEN DECK NOT INCLUDED



ALL GRAPHICS PROVIDED ARE FOR REFERENCE ONLY. IF CERTAIN DIMENSIONS ARE CRITICAL PLEASE VERIFY THOSE DIMENSIONS WITH YOUR SALESPERSON

## STANDARD FEATURES

- MODEL NUMBER IS PCD-92
- CAPACITY IS 5000 LBS.
- OVERALL WIDTH IS 49 1/2"
- USABLE WIDTH IS 49"
- OVERALL LENGTH IS 90 1/4"
- USABLE LENGTH IS 89 3/4"
- OVERALL HEIGHT IS 56"
- USABLE FORK POCKETS ARE 7 5/8" x 2 5/8"

## SPECIAL FEATURES

NONE

<b>A P P R O V A L</b>	I, THE UNDERSIGNED, AGREE THAT THE PRODUCT AS REPRESENTED SATISFIES DESIGN AND DIMENSION REQUIREMENTS. I ALSO ACKNOWLEDGE MY DUTY TO CONFIRM PRODUCT AND INSTALLATION COMPLIANCE WITH ALL APPLICABLE FEDERAL, STATE AND LOCAL REGULATIONS AND STANDARDS.	
	<b>ALL SPECIAL UNITS ARE NON-RETURNABLE</b> <input type="checkbox"/> As drawn <input type="checkbox"/> As marked	
Signed: _____		Date: _____
<b>LEAD TIME WILL START UPON RECEIPT OF SIGNED APPROVAL DRAWING</b>		

DISTRIBUTOR'S NAME: <b>VESTIL MANUFACTURING</b>		P.O.# X
DRAWN BY: JDB		W.O.# X
DATE: 6/3/09	SCALE: 1:24	SALES: X
REFERENCE: X	QUOTE # X	FILE NAME: 31-007-032