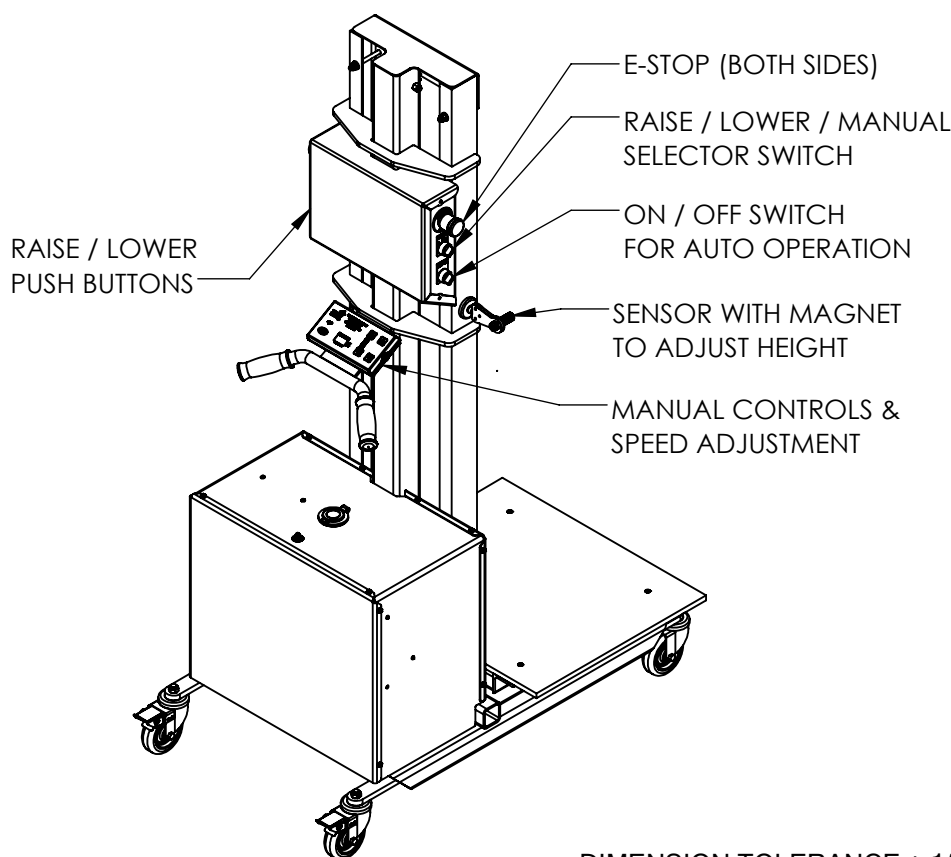
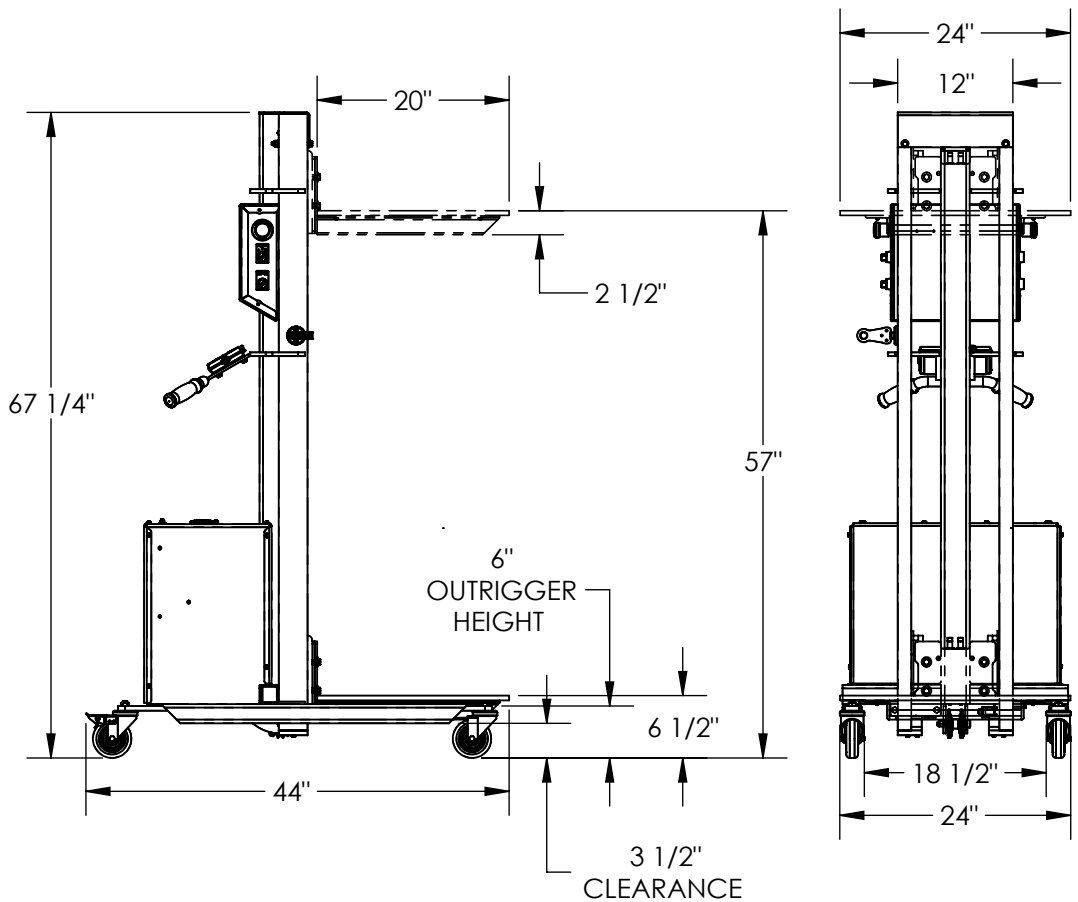


# POWERED QUICK LIFT - PEL-400S-57-D3-AHI

APPROX WEIGHT: 370.25 lbs.  
DOES NOT INCLUDE WEIGHT OF POWER OR PACKAGING!!!

\*\*\* ANY ADDITIONS, DELETIONS, OR OMISSIONS MUST BE CORRECTED ON THIS DRAWING AS THIS DRAWING WILL BE CONSIDERED ALL INCLUSIVE \*\*\*

ALL GRAPHICS PROVIDED ARE FOR REFERENCE ONLY. IF CERTAIN DIMENSIONS ARE CRITICAL PLEASE VERIFY THOSE DIMENSIONS WITH YOUR SALESPERSON



DIMENSION TOLERANCE ± 1/4"

## STANDARD FEATURES

- MODEL NUMBER: PEL-400S-57-D3-AHI
- STEEL CONSTRUCTION
- CAPACITY: 400 LBS
- PLATFORM WIDTH: 24"
- PLATFORM LENGTH: 20"
- LOWERED PLATFORM HEIGHT: 6 1/2"
- RAISED PLATFORM HEIGHT: 57"
- OVERALL SIZE 24"W x 44"L x 67 1/4"H
- AUTO-HEIGHT INDEXING WITH ADJUSTABLE HEIGHT SENSOR
- 3-POSITION SELECTOR SWITCH (AUTO RAISE / AUTO LOWER / MANUAL MODE)
  - AUTO RAISE (LOAD WILL RAISE TO SENSOR HEIGHT)
  - AUTO LOWER (LOAD WILL LOWER TO SENSOR HEIGHT)
  - MANUAL (CONTINUOUS PUSH OPERATION RAISE AND LOWER)
- Ø 4" POLY-ON-POLY STEM CASTERS (2 SWIVEL W/ BRAKES & 2 RIGID)
- DURABLE BAKED IN POWDER COATED BLUE FINISH

## 24V DC POWER

ON-BOARD BATTERY INDICATOR & CHARGER  
CONTACT FACTORY FOR OTHER POWER OPTIONS

## SPECIAL FEATURES

NONE

**APPROVAL**

I, THE UNDERSIGNED, AGREE THAT THE PRODUCT AS REPRESENTED SATISFIES DESIGN AND DIMENSION REQUIREMENTS. I ALSO ACKNOWLEDGE MY DUTY TO CONFIRM PRODUCT AND INSTALLATION COMPLIANCE WITH ALL APPLICABLE FEDERAL, STATE AND LOCAL REGULATIONS AND STANDARDS.

**UNITS REQUIRING APPROVAL DRAWINGS OR MODIFIED ARE NON-RETURNABLE**

[ ] As drawn [ ] As marked

Signed: \_\_\_\_\_ Date: \_\_\_\_\_

Printed Name: \_\_\_\_\_

LEAD TIME WILL START UPON RECEIPT OF SIGNED APPROVAL DRAWING

DISTRIBUTOR'S NAME:		P.O.#
VESTIL MANUFACTURING		X
DRAWN BY: TEN		W.O.#
DATE: 5/20/2024		X
REFERENCE: X	SCALE: 1:20	SALES: X
QUOTED LEAD TIME: X	QUOTE # X	FILE NAME:
		21-007-059-001