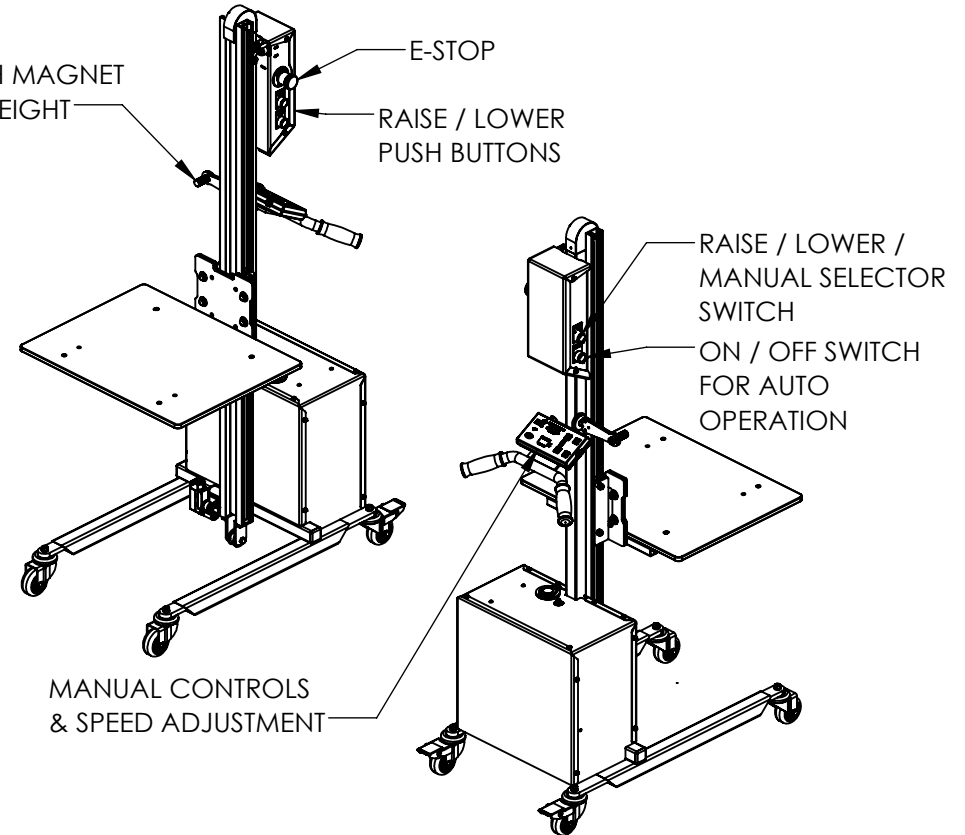
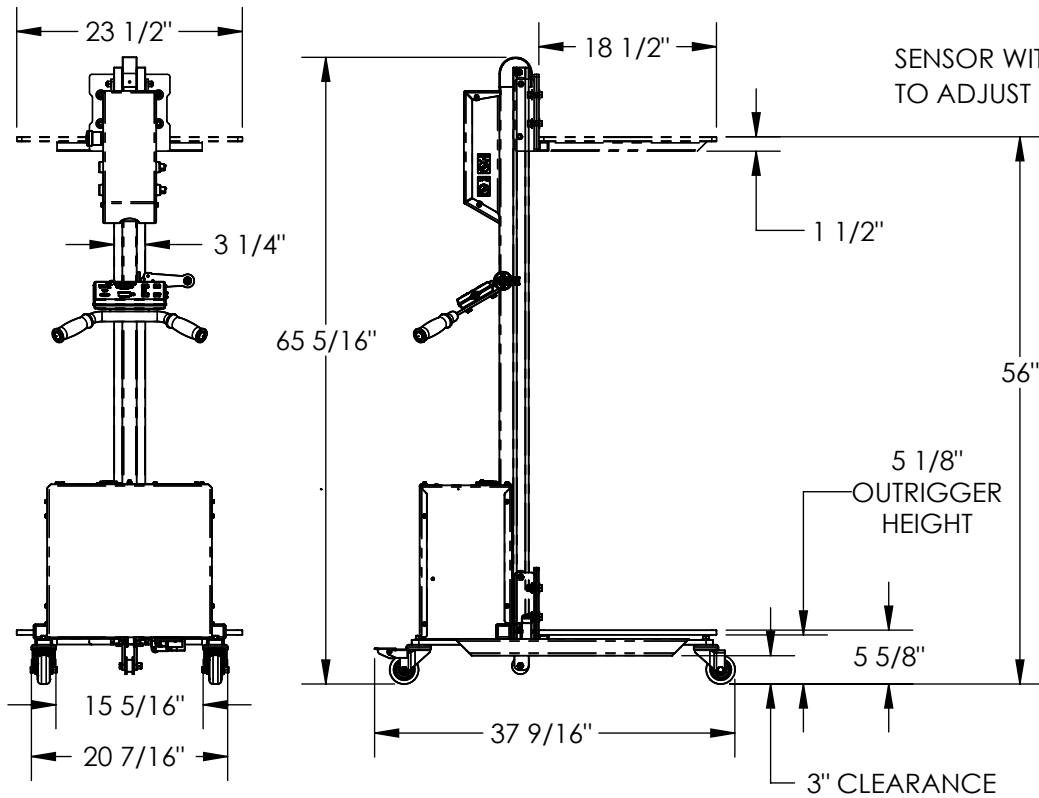


# DC POWERED QUICK LIFT- PEL-88S-D3-AHI

APPROX WEIGHT: 185.42 lbs.  
DOES NOT INCLUDE WEIGHT OF POWER OR PACKAGING!!!

\*\*\* ANY ADDITIONS, DELETIONS, OR OMISSIONS MUST BE CORRECTED ON THIS DRAWING AS THIS DRAWING WILL BE CONSIDERED ALL INCLUSIVE \*\*\*

ALL GRAPHICS PROVIDED ARE FOR REFERENCE ONLY. IF CERTAIN DIMENSIONS ARE CRITICAL PLEASE VERIFY THOSE DIMENSIONS WITH YOUR SALESPERSON



DIMENSION TOLERANCE  $\pm 1/4"$

## STANDARD FEATURES

- MODEL NUMBER: PEL-88S-D3-AHI
- STEEL CONSTRUCTION
- CAPACITY: 175 LBS
- PLATFORM WIDTH: 23 1/2"
- PLATFORM LENGTH: 18 1/2"
- LOWERED PLATFORM HEIGHT: 5 5/8"
- RAISED PLATFORM HEIGHT: 56"
- OVERALL SIZE 23 1/2"W x 37 9/16"L x 65 5/16"H
- AUTO-HEIGHT INDEXING WITH ADJUSTABLE HEIGHT SENSOR
- 3-POSITION SELECTOR SWITCH (AUTO RAISE / AUTO LOWER / MANUAL MODE)
- AUTO RAISE (LOAD WILL RAISE TO SENSOR HEIGHT)
- AUTO LOWER (LOAD WILL LOWER TO SENSOR HEIGHT)
- MANUAL (CONTINUOUS PUSH OPERATION RAISE AND LOWER)
- Ø 3" POLY-ON-POLY STEM CASTERS (2 SWIVEL W/ BRAKES & 2 SWIVEL)
- DURABLE BAKED IN POWDER COATED BLUE FINISH

## SPECIAL FEATURES

NONE

## 24V DC POWER

ON-BOARD BATTERY  
INDICATOR & CHARGER  
CONTACT FACTORY FOR  
OTHER POWER OPTIONS

APPROVAL	I, THE UNDERSIGNED, AGREE THAT THE PRODUCT AS REPRESENTED SATISFIES DESIGN AND DIMENSION REQUIREMENTS. I ALSO ACKNOWLEDGE MY DUTY TO CONFIRM PRODUCT AND INSTALLATION COMPLIANCE WITH ALL APPLICABLE FEDERAL, STATE AND LOCAL REGULATIONS AND STANDARDS.	
	<b>UNITS REQUIRING APPROVAL DRAWINGS OR MODIFIED ARE NON-RETURNABLE</b>	
	[ ] As drawn      [ ] As marked	
	Signed: _____	Date: _____
Printed Name: _____		
<i>LEAD TIME WILL START UPON RECEIPT OF SIGNED APPROVAL DRAWING</i>		

DISTRIBUTOR'S NAME:		P.O.#
VESTIL MANUFACTURING		X
DRAWN BY: TEN		W.O.#
DATE: 6/11/2024		X
REFERENCE: X	SCALE: 1:20	SALES: X
QUOTED LEAD TIME: X		FILE NAME:
QUOTE # X		21-007-037-001