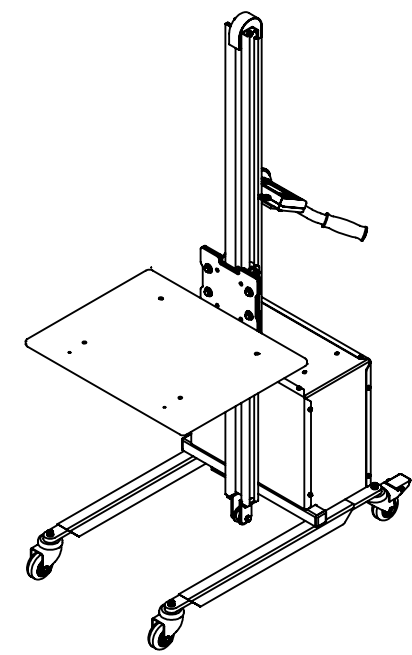
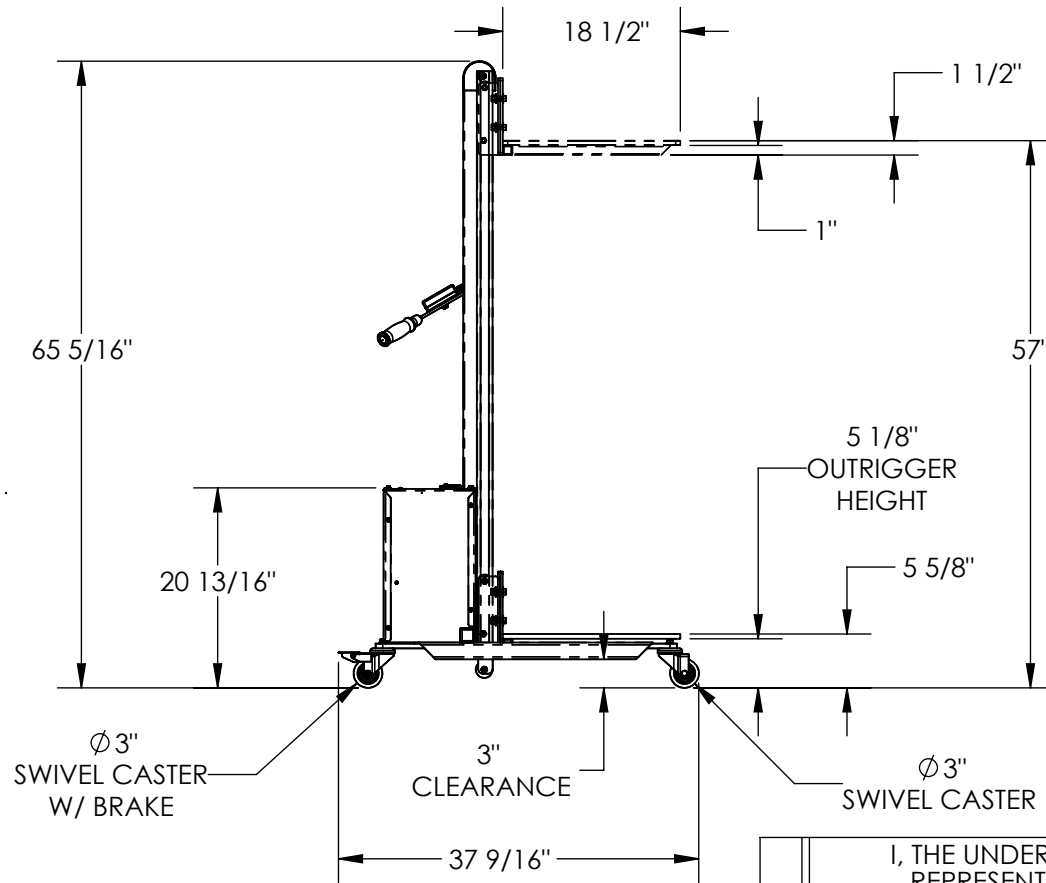
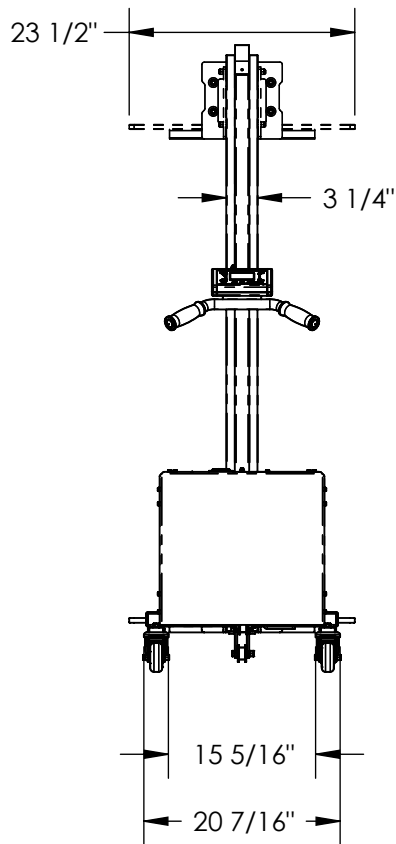


# DC POWERED QUICK LIFT- PEL-88S-D3

APPROX WEIGHT: 167.93 lbs.  
 DOES NOT INCLUDE WEIGHT OF POWER OR PACKAGING!!!

\*\*\* ANY ADDITIONS, DELETIONS, OR OMISSIONS MUST BE CORRECTED ON THIS DRAWING AS THIS DRAWING WILL BE CONSIDERED ALL INCLUSIVE \*\*\*

ALL GRAPHICS PROVIDED ARE FOR REFERENCE ONLY. IF CERTAIN DIMENSIONS ARE CRITICAL PLEASE VERIFY THOSE DIMENSIONS WITH YOUR SALESPERSON



DIMENSION TOLERANCE ± 1/4"

## STANDARD FEATURES

- MODEL NUMBER: PEL-88S-D3
- STEEL CONSTRUCTION
- CAPACITY: 175 LBS
- OVERALL HEIGHT: 65 5/16"
- OVERALL WIDTH: 23 1/2"
- OVERALL LENGTH: 37 9/16"
- PLATFORM WIDTH: 23 1/2"
- PLATFORM LENGTH: 18 1/2"
- LOWERED PLATFORM HEIGHT: 5 5/8"
- RAISED PLATFORM HEIGHT: 57"
- Ø 3" POLY ON POLY STEM CASTERS
- 2 SWIVEL W/ BRAKES & 2 SWIVEL
- DURABLE BAKED IN POWDER COATED BLUE FINISH

## SPECIAL FEATURES

NONE

## 24V DC POWER

ON-BOARD BATTERY  
 INDICATOR & CHARGER  
 CONTACT FACTORY FOR  
 OTHER POWER OPTIONS

**APPROVAL**

I, THE UNDERSIGNED, AGREE THAT THE PRODUCT AS REPRESENTED SATISFIES DESIGN AND DIMENSION REQUIREMENTS. I ALSO ACKNOWLEDGE MY DUTY TO CONFIRM PRODUCT AND INSTALLATION COMPLIANCE WITH ALL APPLICABLE FEDERAL, STATE AND LOCAL REGULATIONS AND STANDARDS.

**UNITS REQUIRING APPROVAL DRAWINGS OR MODIFIED ARE NON-RETURNABLE**

[ ] As drawn      [ ] As marked

Signed: \_\_\_\_\_ Date: \_\_\_\_\_

Printed Name: \_\_\_\_\_

**LEAD TIME WILL START UPON RECEIPT OF SIGNED APPROVAL DRAWING**

DISTRIBUTOR'S NAME:		P.O.#
VESTIL MANUFACTURING		X
DRAWN BY: QW		W.O.#
DATE: 08/24/10		X
REFERENCE: X	SCALE: 1:20	SALES: X
QUOTED LEAD TIME: X	QUOTE #	FILE NAME:
	X	21-007-037