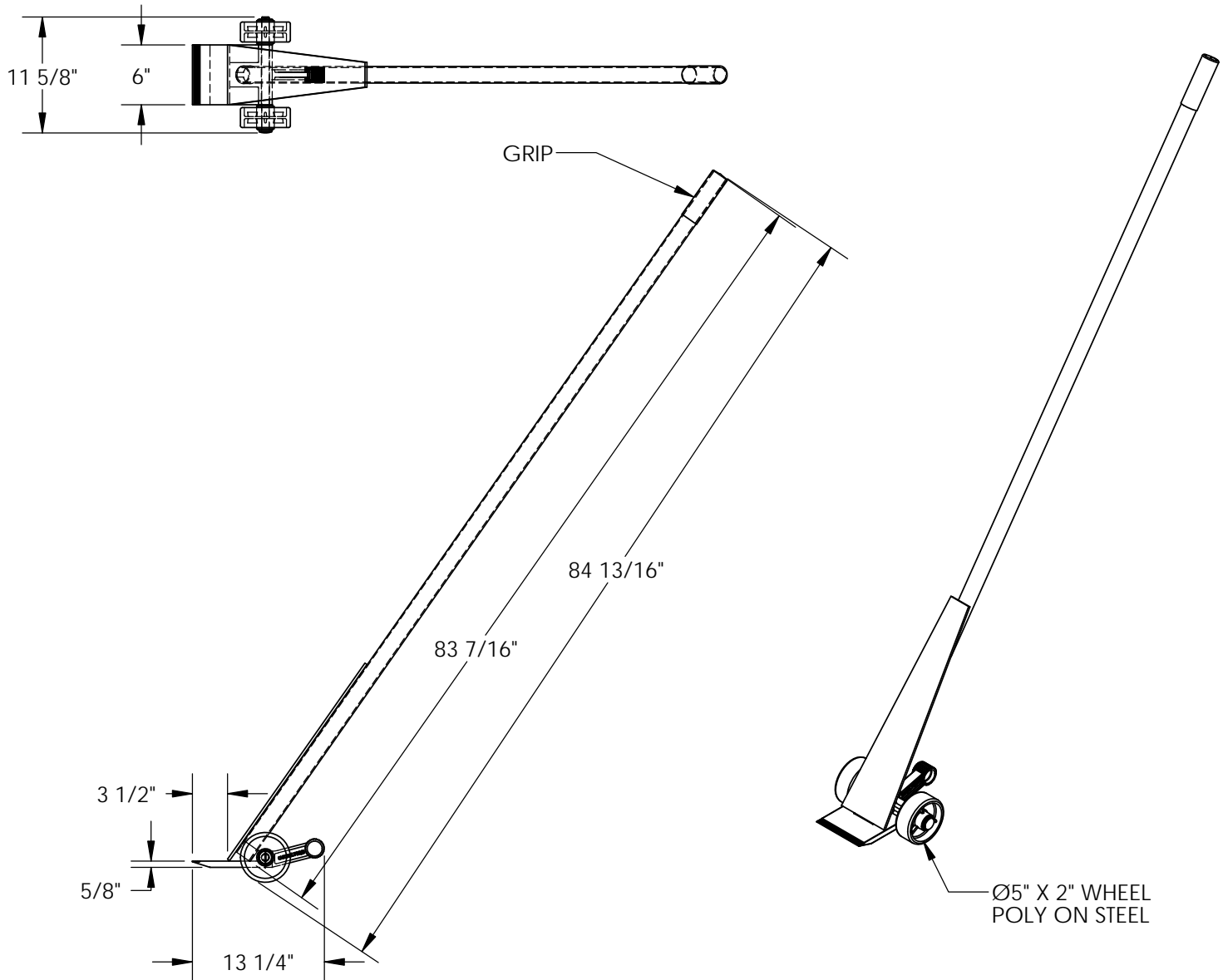


STEEL PRYLEVER BAR, PLB/S-7

APPROX WEIGHT: 44.62 lbs.
DOES NOT INCLUDE WEIGHT OF POWER OR PACKAGING!!!

ANY ADDITIONS, DELETIONS, OR OMISSIONS MUST BE CORRECTED ON THIS DRAWING AS THIS DRAWING WILL BE CONSIDERED ALL INCLUSIVE



ALL GRAPHICS PROVIDED ARE FOR REFERENCE ONLY. IF CERTAIN DIMENSIONS ARE CRITICAL PLEASE VERIFY THOSE DIMENSIONS WITH YOUR SALESPERSON

STANDARD FEATURES

- MODEL NUMBER IS PLB/S-7
- CAPACITY IS 5,000 LBS.
- USABLE LIP IS 3 1/2"
- OVERALL LENGTH IS 13 1/4"
- OVERALL WIDTH IS 11 5/8"
- OVERALL HEIGHT IS 84 13/16"
- BAR LENGTH IS 83 7/16"
- ALL STEEL CONSTRUCTION
- (2) - Ø5" X 2" POLY ON STEEL

DIMENSION TOLERANCE ± 1/4"

APPROVAL	I, THE UNDERSIGNED, AGREE THAT THE PRODUCT AS REPRESENTED SATISFIES DESIGN AND DIMENSION REQUIREMENTS. I ALSO ACKNOWLEDGE MY DUTY TO CONFIRM PRODUCT AND INSTALLATION COMPLIANCE WITH ALL APPLICABLE FEDERAL, STATE AND LOCAL REGULATIONS AND STANDARDS.	
	ANY MODIFIED UNITS ARE NON-RETURNABLE	
	[] As drawn [] As marked	
	Signed: _____	Date: _____
Printed Name: _____		
<i>LEAD TIME WILL START UPON RECEIPT OF SIGNED APPROVAL DRAWING</i>		

SPECIAL FEATURES

NONE

FOR INTERNAL USE ONLY PROJECT SIGN OFF		DISTRIBUTOR'S NAME:		P.O.#
		VESTIL MANUFACTURING		X
SALES		DRAWN BY: SR	DATE: 4/20/09	W.O.#
ENG.		REFERENCE:	SCALE: 1:16	X
FAB.		QUOTED LEAD TIME: X	QUOTE # X	SALES: X
POWER				FILE NAME: 33-007-006