

PMI-1532-MINI (MINI HAND PALLET TRUCK)

SPECIFICATIONS

Model: PMI-1532-MINI

Capacity: 1,100 lbs

Overall Fork Size: 15x32"

Individual Fork: 4"

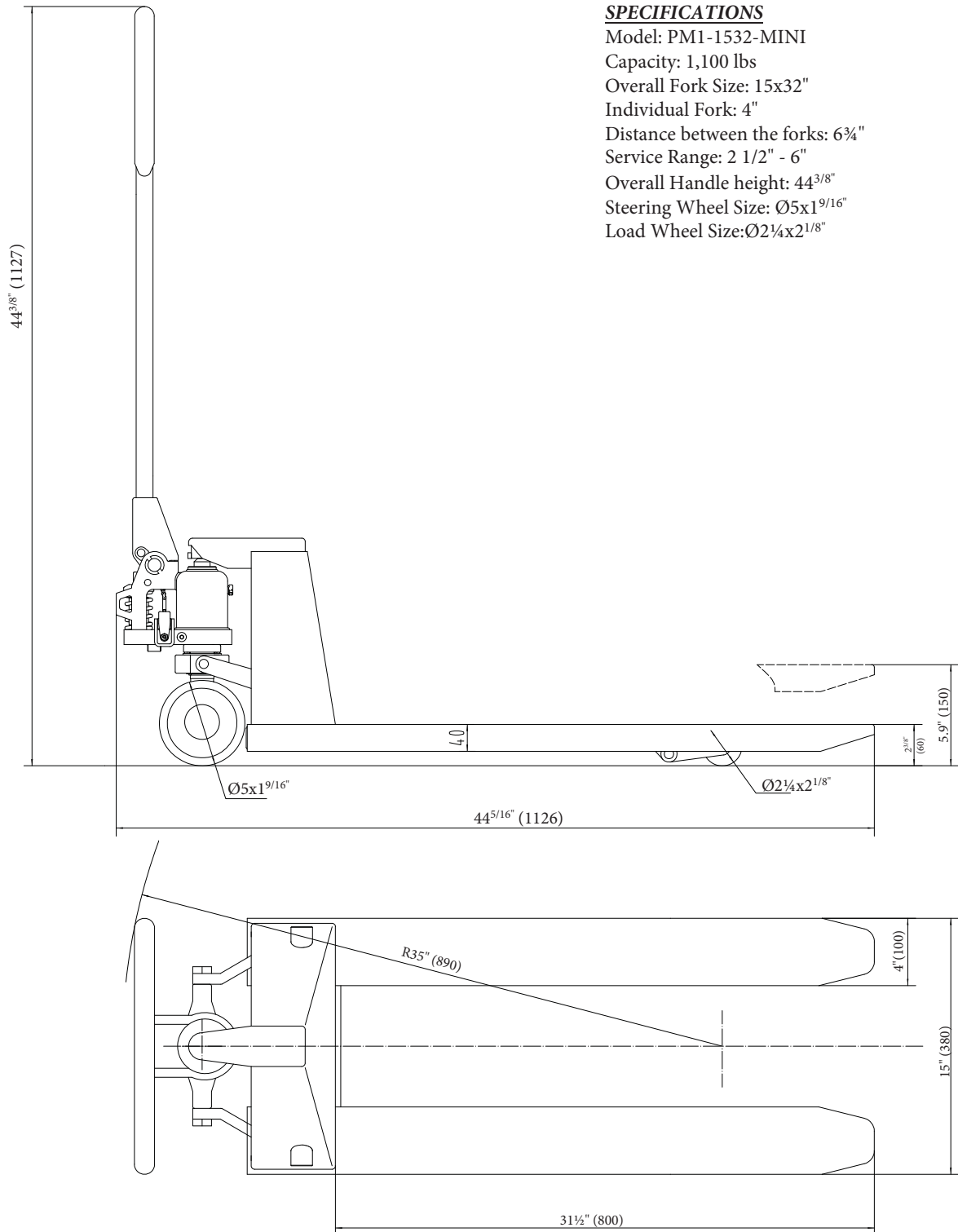
Distance between the forks: 6³/₄"

Service Range: 2 1/2" - 6"

Overall Handle height: 44³/₈"

Steering Wheel Size: Ø5x1⁹/₁₆"

Load Wheel Size: Ø2¹/₄x2¹/₈"



VESTIL MANUFACTURING CORP.	
Model:	PM1-1532-MINI
Description:	Mini Hand Pallet Truck
Design: T.M	Date: 09/13/18