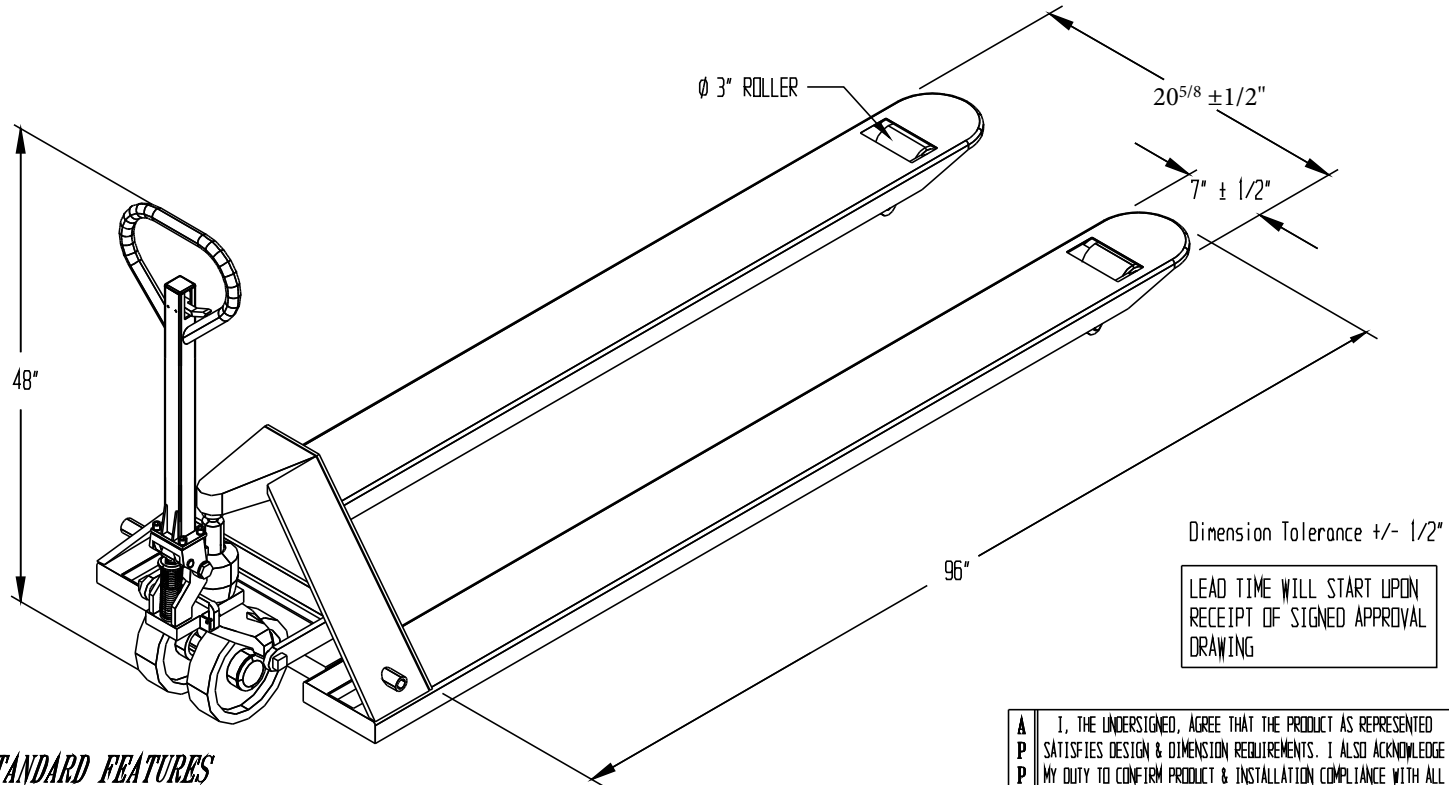


FULL FEATURED PALLET TRUCK, PM4-2096



Dimension Tolerance +/- 1/2"

LEAD TIME WILL START UPON RECEIPT OF SIGNED APPROVAL DRAWING

STANDARD FEATURES

MODEL NUMBER: PM4-2096
 OVERALL FORK WIDTH IS 20 INCHES
 OVERALL FORK LENGTH IS 96 INCHES
 CAPACITY IS 4,000 LBS
 LOWERED HEIGHT IS 2 7/8 INCHES
 RAISED HEIGHT IS 7 3/4 INCHES

**SPECIAL UNITS ARE NON-RETURNABLE
 *AVAILABLE AT ADDITIONAL COSTS

SPECIAL FEATURES

NONE

A I, THE UNDERSIGNED, AGREE THAT THE PRODUCT AS REPRESENTED
P SATISFIES DESIGN & DIMENSION REQUIREMENTS. I ALSO ACKNOWLEDGE
P MY DUTY TO CONFIRM PRODUCT & INSTALLATION COMPLIANCE WITH ALL
R APPLICABLE FEDERAL, STATE AND LOCAL REGULATIONS & STANDARDS.
O **ALL SPECIAL UNITS ARE NON-RETURNABLE**
V [] As drawn [] As marked
A Signed: _____ Date: _____
L LEAD TIME WILL START UPON RECEIPT OF SIGNED APPROVAL DRAWING

| | | |
|---|--|------------------------------|
| FOR INTERNAL USE ONLY PROJECT SIGN OFF | DISTRIBUTOR'S NAME: VESTIL MFG | P. O. #: - |
| SALES | DRAWN BY: _____ DATE: - | W. O. #: - |
| ENG | REFERENCE: - | SCALE: - |
| FAB. | QUOTED LEADTIME: - | QUOTE #: - |
| POWER | | DRWG. FILE NAME: PM4-2096 |