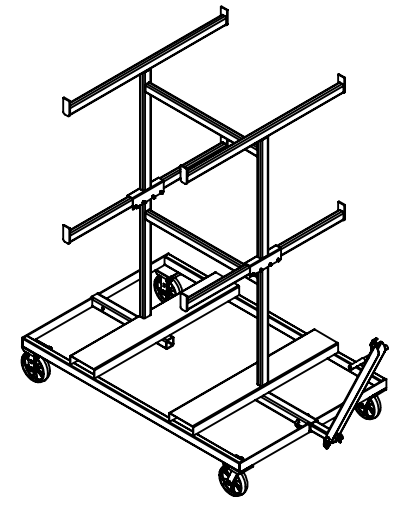
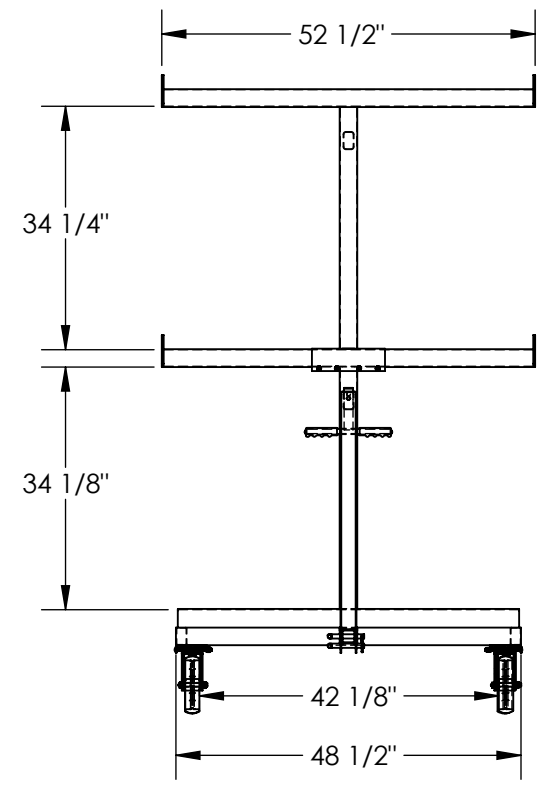
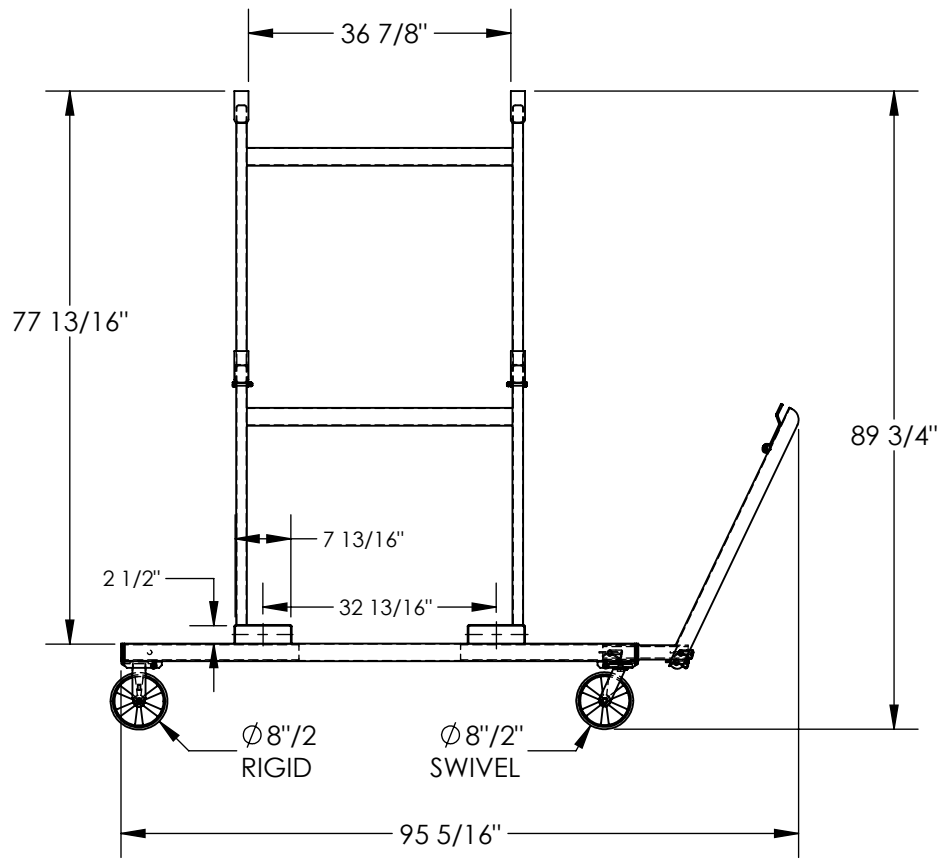


# PORTABLE RAIL CART - PRAIL-CT-1

APPROX WEIGHT: 265.05 lbs.  
DOES NOT INCLUDE WEIGHT OF POWER OR PACKAGING!!!

\*\*\* ANY ADDITIONS, DELETIONS, OR OMISSIONS MUST BE CORRECTED ON THIS DRAWING AS THIS DRAWING WILL BE CONSIDERED ALL INCLUSIVE \*\*\*

ALL GRAPHICS PROVIDED ARE FOR REFERENCE ONLY. IF CERTAIN DIMENSIONS ARE CRITICAL PLEASE VERIFY THOSE DIMENSIONS WITH YOUR SALESPERSON



DIMENSION TOLERANCE ± 1/4"

## STANDARD FEATURES

- MODEL NUMBER IS PRAIL-CT-1
- OVERALL WIDTH IS 52 1/2"
- USABLE WIDTH IS 48 1/2"
- USABLE HEIGHT IS 77 13/16"
- OVERALL HEIGHT IS 89 3/4"
- USEABLE FORK POCKET 2 1/2" x 7 13/16"
- 32 13/16" FORK POCKET CENTERS
- OVERALL UNIFORM CAPACITY IS 3,500 LB
- CAPACITY PER ARM PAIR IS 875 LB
- REMOVABLE HITCH CAN BE MOUNTED TO EITHER END
- CASTER SIZE = 8" X 2"

## SPECIAL FEATURES

NONE

**APPROVAL**

I, THE UNDERSIGNED, AGREE THAT THE PRODUCT AS REPRESENTED SATISFIES DESIGN AND DIMENSION REQUIREMENTS. I ALSO ACKNOWLEDGE MY DUTY TO CONFIRM PRODUCT AND INSTALLATION COMPLIANCE WITH ALL APPLICABLE FEDERAL, STATE AND LOCAL REGULATIONS AND STANDARDS.

**UNITS REQUIRING APPROVAL DRAWINGS OR MODIFIED ARE NON-RETURNABLE**

As drawn       As marked

Signed: \_\_\_\_\_ Date: \_\_\_\_\_

Printed Name: \_\_\_\_\_

*LEAD TIME WILL START UPON RECEIPT OF SIGNED APPROVAL DRAWING*

DISTRIBUTOR'S NAME:		P.O.#
VESTIL MANUFACTURING		X
DRAWN BY: BLH		W.O.#
DATE: 4/28/2015		X
REFERENCE: X	SCALE: 1:27	SALES: X
QUOTED LEAD TIME: X	QUOTE #	FILE NAME:
	X	16-007-413