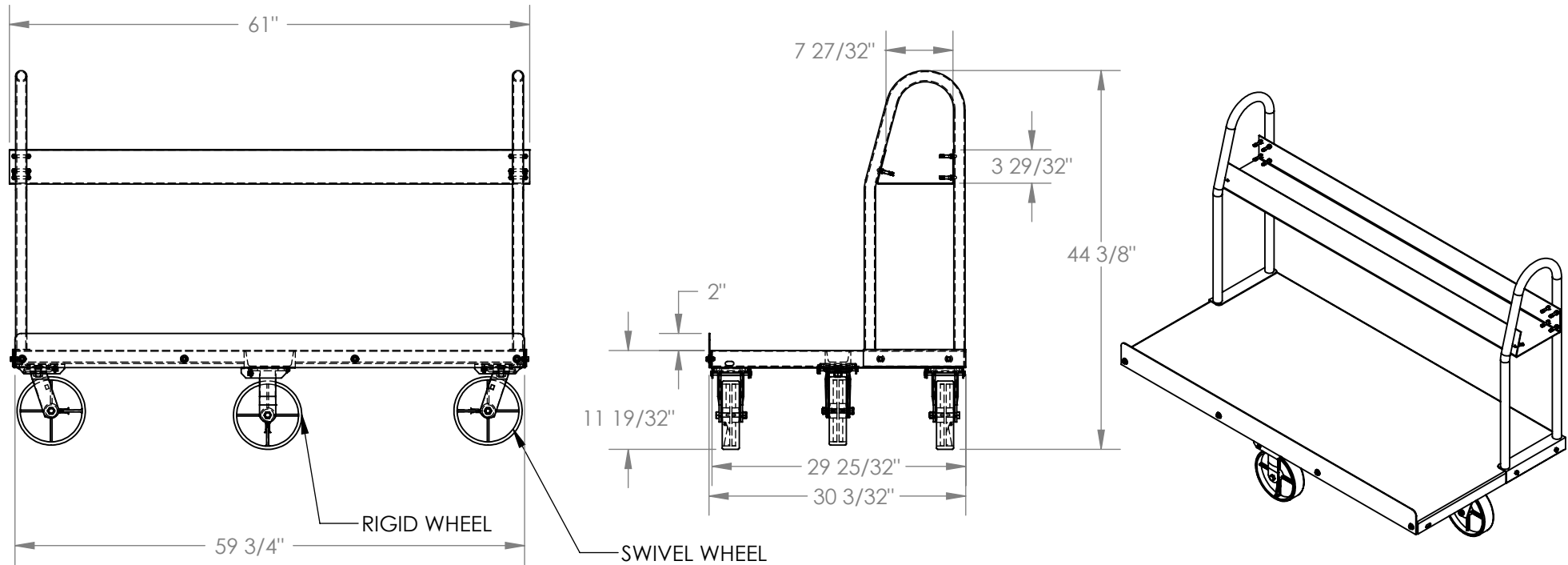


PANEL TRUCK W/STORAGE TRAY - PRCT-T-3060-PU

APPROX WEIGHT: 214.09 lbs.
DOES NOT INCLUDE WEIGHT OF POWER OR PACKAGING!!!

*** ANY ADDITIONS, DELETIONS, OR OMISSIONS MUST BE CORRECTED ON THIS DRAWING AS THIS DRAWING WILL BE CONSIDERED ALL INCLUSIVE ***

ALL GRAPHICS PROVIDED ARE FOR REFERENCE ONLY. IF CERTAIN DIMENSIONS ARE CRITICAL PLEASE VERIFY THOSE DIMENSIONS WITH YOUR SALESPERSON



STANDARD FEATURES

- MODEL NUMBER IS PRCT-T-3060-PU
- CAPACITY IS: 1,500 LBS.
- OVERALL WIDTH IS: 30 3/32"
- OVERAL (DECK) WIDTH IS: 29 25/32"
- OVERAL LENGTH IS: 61"
- OVERALL (DECK) LENGTH IS: 59 3/4"
- OVERALL HEIGHT IS: 44 3/8"
- DECK HEIGHT IS: 11 19/32"
- USABLE STORAGE TRAY WIDTH IS: 7 27/32"
- MIN. USABLE STORAGE TRAY LENGTH IS: 61"
- USABLE STORAGE TRAY HEIGHT IS: 3 29/32"
- DECK INCLUDES 2" HIGH LIP FOR HOLDING SHEET GOODS
- DECK OPENING CAN HOLD PANELS UP TO 11" THICK
- TWO RIGID AND TWO SWIVEL 8" DIA. POLY-ON STEEL CASTERS IN DIAMOND PATTERN
- STEEL CONSTRUCTION WITH POWDER COAT BLUE FINISH

SPECIAL FEATURES

NONE

DIMENSION TOLERANCE ± 1/4"

A P P R O V A L

I, THE UNDERSIGNED, AGREE THAT THE PRODUCT AS REPRESENTED SATISFIES DESIGN AND DIMENSION REQUIREMENTS. I ALSO ACKNOWLEDGE MY DUTY TO CONFIRM PRODUCT AND INSTALLATION COMPLIANCE WITH ALL APPLICABLE FEDERAL, STATE AND LOCAL REGULATIONS AND STANDARDS.

ALL SPECIAL UNITS ARE NON-RETURNABLE

[] As drawn [] As marked

Signed: _____ Date: _____

LEAD TIME WILL START UPON RECEIPT OF SIGNED APPROVAL DRAWING

FOR INTERNAL USE ONLY PROJECT SIGN OFF	
SALES	
ENG.	
FAB.	
POWER	

DISTRIBUTOR'S NAME:		P.O.#
VESTIL MANUFACTURING		X
W.O.#		X
DRAWN BY:	C.CLEMENS	DATE: 5/27/15
SALES:		X
REFERENCE:	X	SCALE: 1:18
FILE NAME:		16-007-200
QUOTED LEAD TIME:	X	QUOTE # X