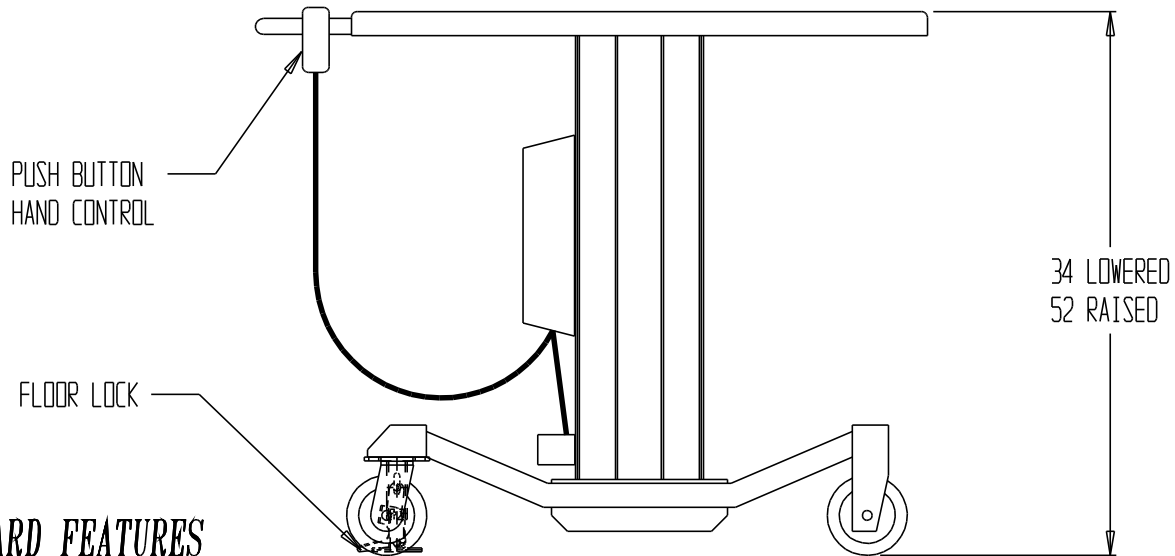
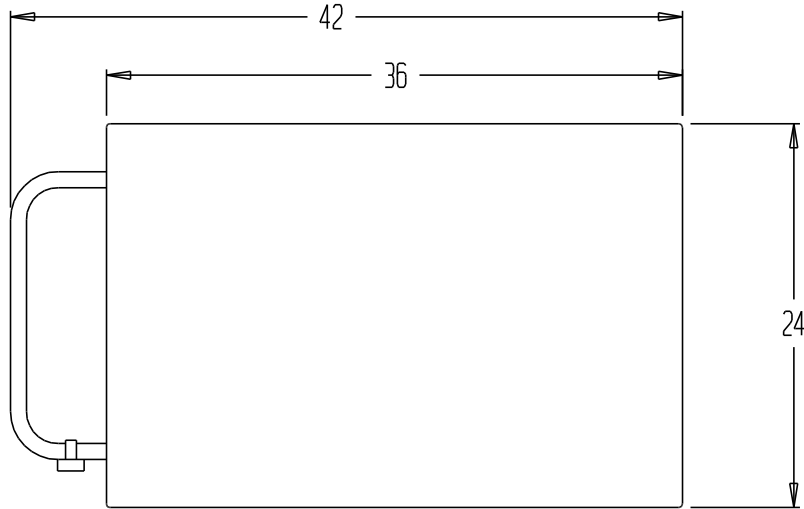


LINEAR ACTUATED LIFT TABLE



DO NOT DUPLICATE © 2016 VESTIL MANUFACTURING

STANDARD FEATURES

- MODEL NUMBER: PT2436E
- CAPACITY: 1,000 LBS.
- DECK SIZE: 24"W x 36"L
- SERVICE RANGE:
 - 34" LOWERED HEIGHT
 - 52" RAISED HEIGHT
- 5 x 1 1/2 POLY-ON-STEEL CASTERS
- 2 RIGID,
- 2 SWIVEL
- FOOT OPERATED FLOOR LOCK

Any additions, deletions or omissions must be corrected on this drawing, as this drawing will be considered all inclusive.

All graphics provided are for reference only. If certain dimensions are critical please verify those dimensions with your salesperson

I, THE UNDERSIGNED, AGREE THAT THE PRODUCT AS REPRESENTED SATISFIES DESIGN & DIMENSION REQUIREMENTS. I ALSO ACKNOWLEDGE MY DUTY TO CONFIRM PRODUCT & INSTALLATION COMPLIANCE WITH ALL APPLICABLE FEDERAL, STATE AND LOCAL REGULATIONS & STANDARDS.

ALL SPECIAL UNITS ARE NON-RETURNABLE
 [] As drawn [] As marked

Signed: _____ Date: _____

Printed Name: _____

LEAD TIME WILL START UPON RECEIPT OF SIGNED APPROVAL DRAWING

FOR INTERNAL USE ONLY PROJECT SIGN OFF	
SALES	
ENG.	
FAB.	
POWER	

DISTRIBUTOR'S NAME: VESTIL MFG		P.O.#: _
		W.O.#: _
DRAWN BY: _____	DATE: _	SALES: _
REFERENCE: _	SCALE: 1:12	DRWG./FILE NAME: PT2436E
QUOTED LEADTIME: _	QUOTE #: _	