

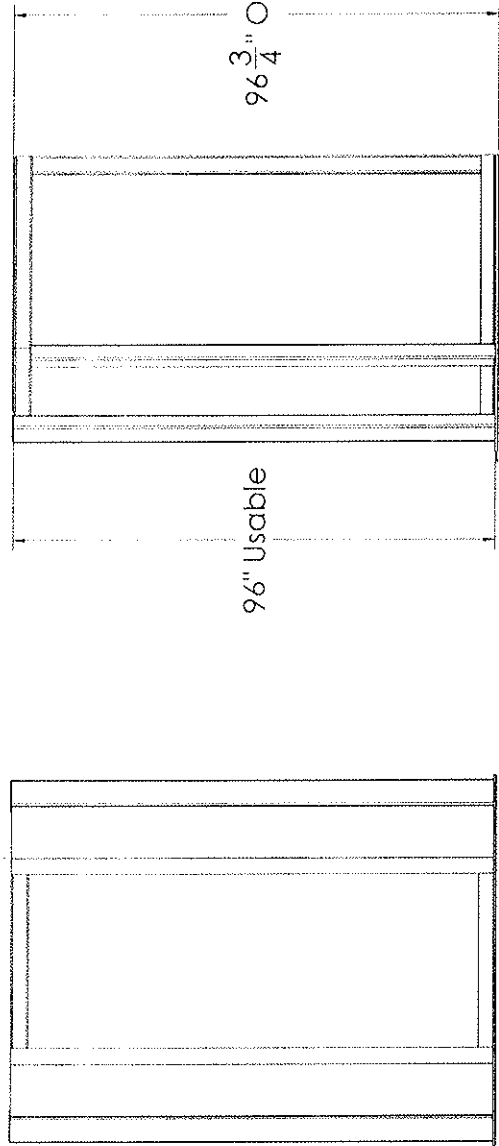
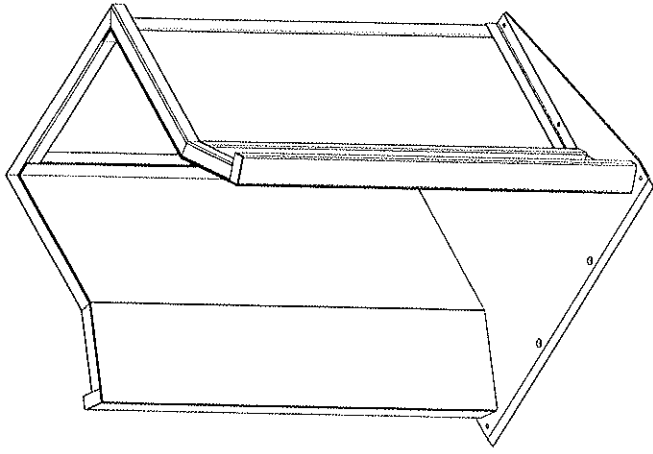
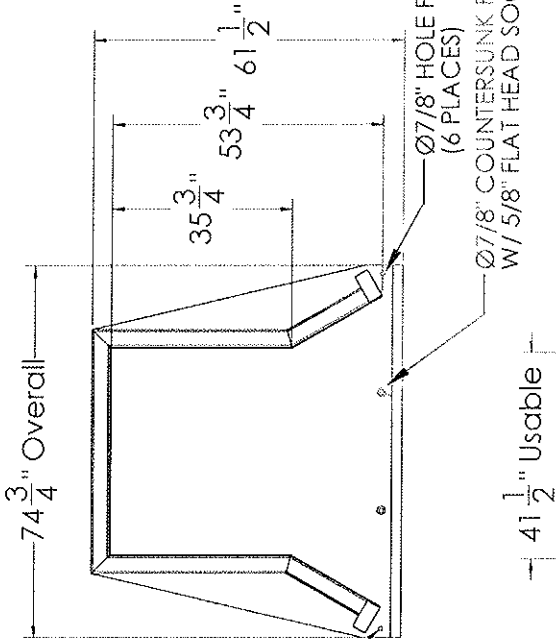
PALLET WEDGE - PW-9200

APPROX WEIGHT: lbs.

DOES NOT INCLUDE WEIGHT OF POWER OR PACKAGING!!!

*** ANY ADDITIONS, DELETIONS, OR OMISSIONS MUST BE CORRECTED ON THIS DRAWING AS THIS DRAWING WILL BE CONSIDERED ALL INCLUSIVE ***

ALL GRAPHICS PROVIDED ARE FOR REFERENCE ONLY. IF CERTAIN DIMENSIONS ARE CRITICAL PLEASE VERIFY THOSE DIMENSIONS WITH YOUR SALESPERSON



DIMENSION TOLERANCE ± 1/4"

I, THE UNDERSIGNED, AGREE THAT THE PRODUCT AS REPRESENTED SATISFIES DESIGN AND DIMENSION REQUIREMENTS. I ALSO ACKNOWLEDGE MY DUTY TO CONFIRM PRODUCT AND INSTALLATION COMPLIANCE WITH ALL APPLICABLE FEDERAL, STATE AND LOCAL REGULATIONS AND STANDARDS.

ALL SPECIAL UNITS ARE NON-RETURNABLE
 As drawn As marked

APPROVAL

Signed: _____

Date: _____

LEAD TIME WILL START UPON RECEIPT OF SIGNED APPROVAL DRAWING

DISTRIBUTOR'S NAME:

VESTIL MANUFACTURING

P.O.# X

W.O.# X

DRAWN BY: CA DATE: 2/18/2014 SALES: X

REFERENCE: X FILE NAME: SCALE: 1:48

QUOTED LEAD TIME: X QUOTE # X PW-9200

STANDARD FEATURES

- MODEL NUMBER IS PW-9200
- OVERALL WIDTH IS 74 3/4"
- USABLE WIDTH IS 41 1/2"
- OVERALL DEPTH IS 61 1/2"
- USABLE HEIGHT IS 96 3/4"
- PALLET CAPACITY IS 16-18 PALLETS

SPECIAL FEATURES

NONE