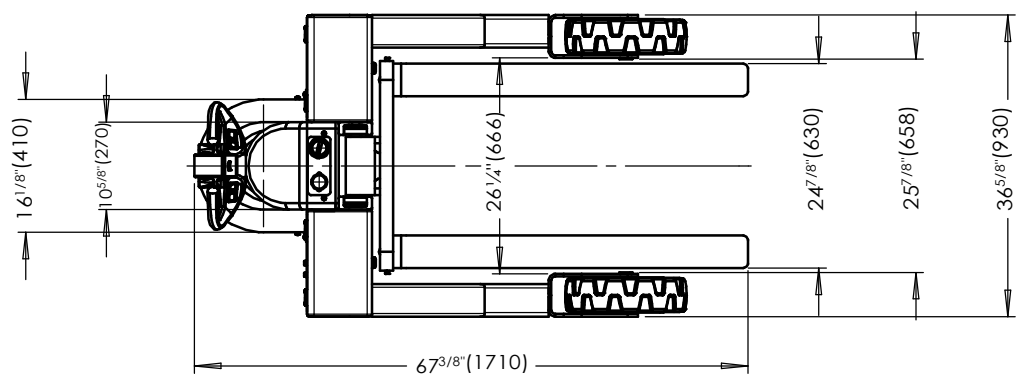
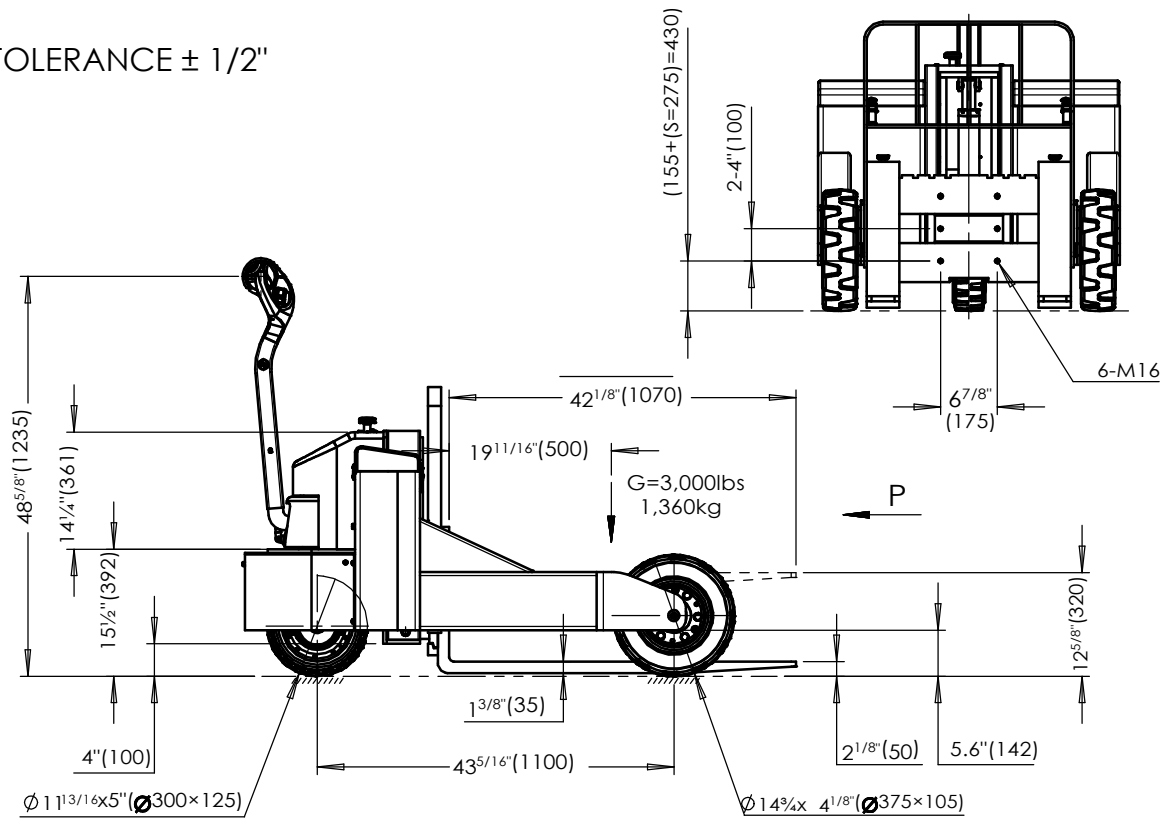


ELECTRIC POWERED ROUGH TERRAIN PALLET TRUCK - RT-EPT-3-24

ANY ADDITIONS, DELETIONS, OR OMISSIONS MUST BE CORRECTED ON THIS DRAWING AS THIS DRAWING WILL BE CONSIDERED ALL INCLUSIVE

DIMENSION TOLERANCE $\pm 1/2''$



ALL GRAPHICS PROVIDED ARE FOR REFERENCE ONLY. IF CERTAIN DIMENSIONS ARE CRITICAL PLEASE VERIFY THOSE DIMENSIONS WITH YOUR SALESPERSON

SPECIFICATIONS

- MODEL NUMBER: RT-EPT-3-24
- CAPACITY: 3,000 LBS
- OVERALL WIDTH: 36 5/8"
- OVERALL LENGTH: 67 3/8"
- OVERALL HEIGHT: 48 5/8"
- FORK LENGTH: 42 1/8"
- FORK WIDTH: 4"
- LIFT HEIGHT: 12 5/8"
- LOWERED HEIGHT: 2 1/8"
- DRIVE MOTOR: AC16/1.5kW
- BATTERY: 2x12V/85-95Ah
- CHARGER: 24V/12amp
- TRAVEL SPEED W/O LOAD: 2.3m/h
- TRAVEL SPEED W/ LOAD: 1.8m/h
- TOUGH BAKED IN POWDER COAT
BLACK & YELLOW FINISH

A P P R O V A L	I, THE UNDERSIGNED, AGREE THAT THE PRODUCT AS REPRESENTED SATISFIES DESIGN AND DIMENSION REQUIREMENTS. I ALSO ACKNOWLEDGE MY DUTY TO CONFIRM PRODUCT AND INSTALLATION COMPLIANCE WITH ALL APPLICABLE FEDERAL, STATE AND LOCAL REGULATIONS AND STANDARDS.	
	UNITS REQUIRING APPROVAL DRAWINGS OR MODIFIED ARE NON-RETURNABLE <input type="checkbox"/> As drawn <input type="checkbox"/> As marked	
	Signed: _____	Date: _____
	Printed Name: _____	
	LEAD TIME WILL START UPON RECEIPT OF SIGNED APPROVAL DRAWING	

DISTRIBUTOR'S NAME:		P.O.#
VESTIL MANUFACTURING		X
		W.O.#
DRAWN BY: TM	DATE: 7/17/2020	SALES: X
REFERENCE: X	SCALE: 1:2	FILE NAME:
QUOTED LEAD TIME: X	QUOTE # X	RT-EPT-3-24