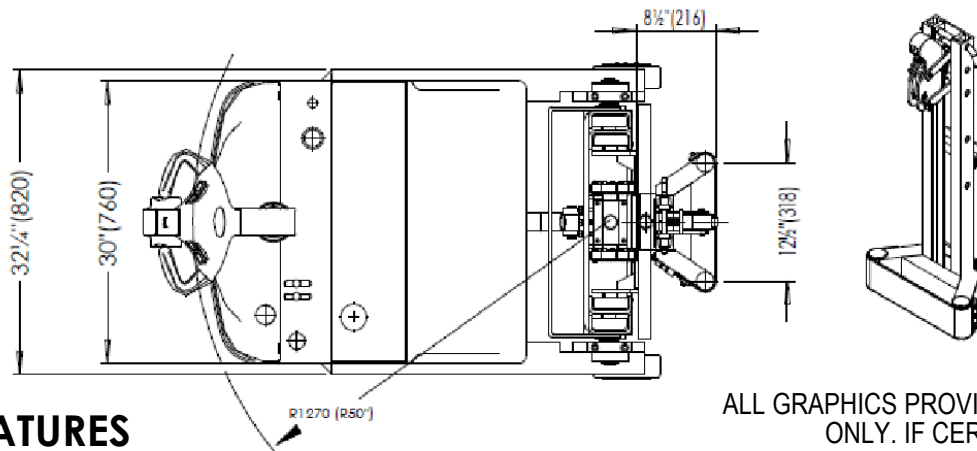
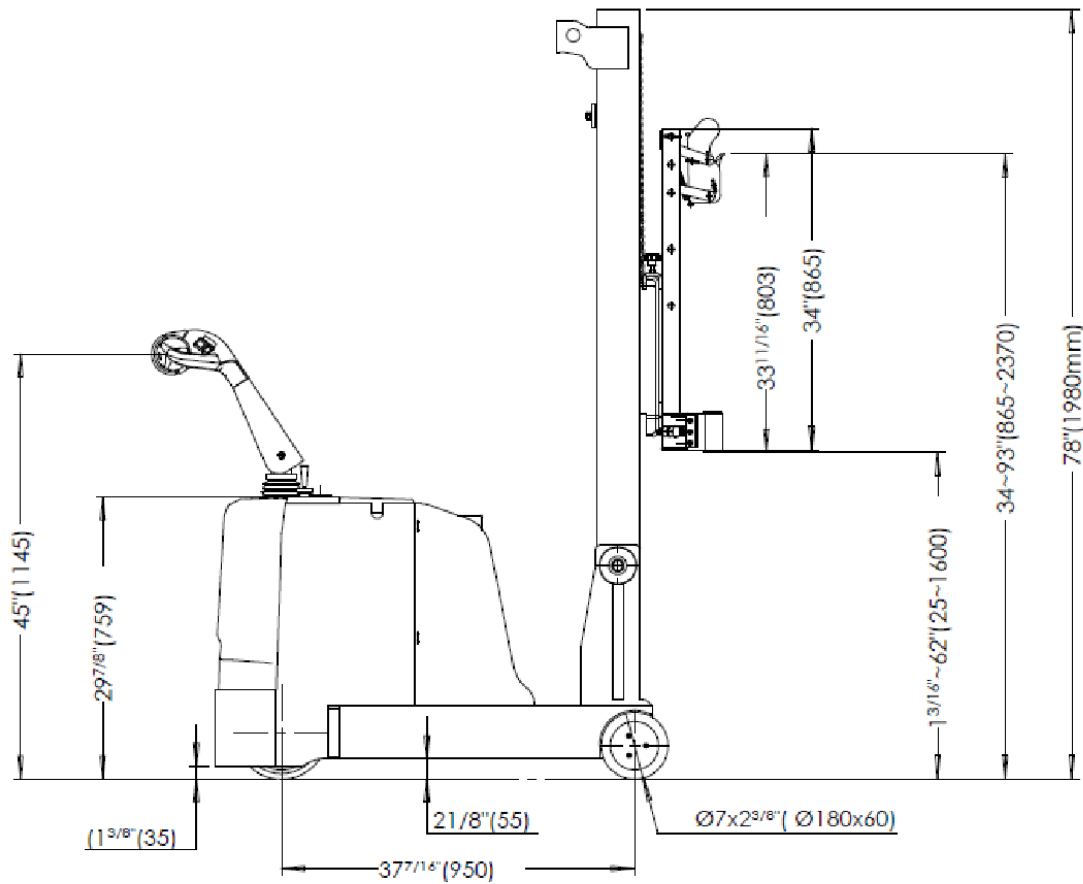


# COUNTER BALANCE STACKER WITH SINGLE DRUM ATTACHMENT- S-CB-62-SDC

APPROX WEIGHT: 1823 lbs.

DOES NOT INCLUDE WEIGHT OF POWER OR PACKAGING!!!

\*\*\*ANY ADDITIONS, DELETIONS, OR OMISSIONS MUST BE CORRECTED ON THIS DRAWING AS THIS DRAWING WILL BE CONSIDERED ALL INCLUSIVE\*\*\*



ALL GRAPHICS PROVIDED ARE FOR REFERENCE ONLY. IF CERTAIN DIMENSIONS ARE CRITICAL PLEASE VERIFY THOSE DIMENSIONS WITH YOUR SALESPERSON

## STANDARD FEATURES

- MODEL NUMBER: S-CB-62-SDC
- CAPACITY (UDL): 1,000 LBS.
- LIFT HEIGHT: 62"
- LOWERED HEIGHT: 1 3/16"
- ADJUSTABLE FORKS
- WIDTH OF EACH FORK: 3 1/8"
- SIZE OF EACH FORK (WXTXL): 3 1/8 X 1 3/16 X 30"
- MAST: SINGLE
- SAFETY SHIELD: YES
- OVERALL MAST HEIGHT: 78 ± 1/4"
- DRIVE WHEEL: Ø10 X 3 1/8"
- FRONT WHEEL: Ø7 X 2 3/8"
- HANDLE: CH-2
- DRIVE MOTOR: 0.7 KW
- LIFT MOTOR: 2.0 KW

## SPECIAL FEATURES

NONE

APPROVAL

I, THE UNDERSIGNED, AGREE THAT THE PRODUCT AS REPRESENTED SATISFIES DESIGN AND DIMENSION REQUIREMENTS. I ALSO ACKNOWLEDGE MY DUTY TO CONFIRM PRODUCT AND INSTALLATION COMPLIANCE WITH ALL APPLICABLE FEDERAL, STATE AND LOCAL REGULATIONS AND STANDARDS.

**UNITS REQUIRING APPROVAL DRAWINGS OR MODIFIED ARE NON-RETURNABLE**

As drawn     As marked

Signed: \_\_\_\_\_ Date: \_\_\_\_\_

Printed Name: \_\_\_\_\_

LEAD TIME WILL START UPON RECEIPT OF SIGNED APPROVAL DRAWING

DISTRIBUTOR'S NAME:		P.O.#
VESTIL MANUFACTURING		X
		W.O.#
DRAWN BY: TAL		X
DATE: 11/20/2023		SALES: X
REFERENCE: X	SCALE: 1:4	FILE NAME:
QUOTED LEAD TIME: X	QUOTE # X	S-CB-62-SDC