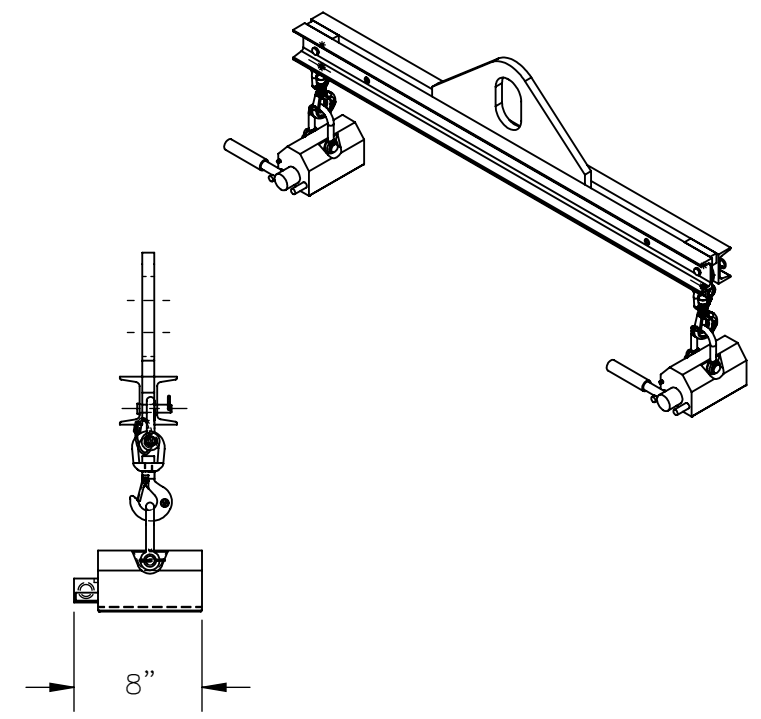
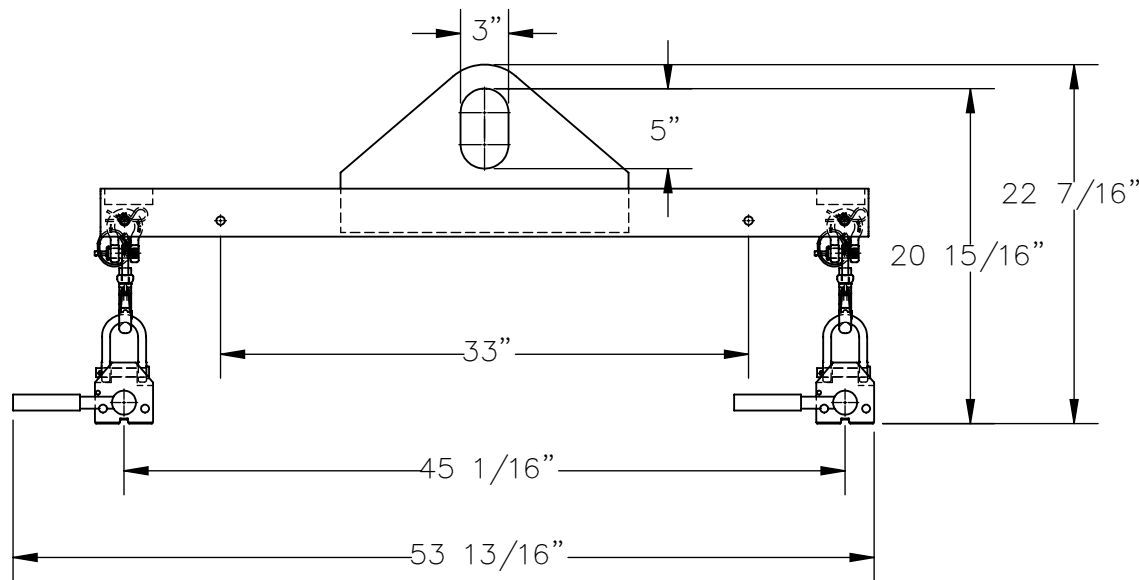


# ECONOMY SPREADER BEAM W/ MAGNETIC LIFTERS - SBM-10-4-ML

APPROX WEIGHT: 113.82 lbs.  
 DOES NOT INCLUDE WEIGHT OF POWER OR PACKAGING!!!

\*\*\* ANY ADDITIONS, DELETIONS, OR OMISSIONS MUST BE CORRECTED ON THIS DRAWING AS THIS DRAWING WILL BE CONSIDERED ALL INCLUSIVE \*\*\*

ALL GRAPHICS PROVIDED ARE FOR REFERENCE ONLY. IF CERTAIN DIMENSIONS ARE CRITICAL PLEASE VERIFY THOSE DIMENSIONS WITH YOUR SALESPERSON



DIMENSION TOLERANCE ± 1/4"

## STANDARD FEATURES

- MODEL NUMBER IS SBM-10-4-ML
- OVERALL WIDTH IS 8"
- OVERALL HEIGHT IS 22 7/16"
- OVERALL LENGTH IS 53 13/16"
- USABLE BAIL IS 3"x5"
- MINIMUM SPREAD IS 33"
- MAXIMUM SPREAD IS 45 1/16"
- HEADROOM IS 20 15/16"
- MAX UNIFORM FLAT CAPACITY IS 1000 LBS.
- MAX UNIFORM ROUND CAPACITY IS 400 LBS.
- SPREADER BEAM TOUGH BAKED IN POWDER COAT BLUE FINISH
- MAGNET LIFTERS TOUGH BAKED IN POWDER COAT YELLOW FINISH

## SPECIAL FEATURES

NONE

<b>APPROVAL</b>	I, THE UNDERSIGNED, AGREE THAT THE PRODUCT AS REPRESENTED SATISFIES DESIGN AND DIMENSION REQUIREMENTS. I ALSO ACKNOWLEDGE MY DUTY TO CONFIRM PRODUCT AND INSTALLATION COMPLIANCE WITH ALL APPLICABLE FEDERAL, STATE AND LOCAL REGULATIONS AND STANDARDS.	
	<b>ANY MODIFIED UNITS ARE NON-RETURNABLE</b>	
	[ ] As drawn      [ ] As marked	
	Signed: _____ Date: _____	
Printed Name: _____		
<b>LEAD TIME WILL START UPON RECEIPT OF SIGNED APPROVAL DRAWING</b>		

FOR INTERNAL USE ONLY PROJECT SIGN OFF	
SALES	
ENG.	
FAB.	
POWER	

DISTRIBUTOR'S NAME:		P.O.#
<b>VESTIL MANUFACTURING</b>		X
		W.O.#
DRAWN BY: JGP	DATE: 03/30/2020	X
REFERENCE: X	SCALE: 1:12	FILE NAME:
QUOTED LEAD TIME: X	QUOTE #	08-007-446
	X	