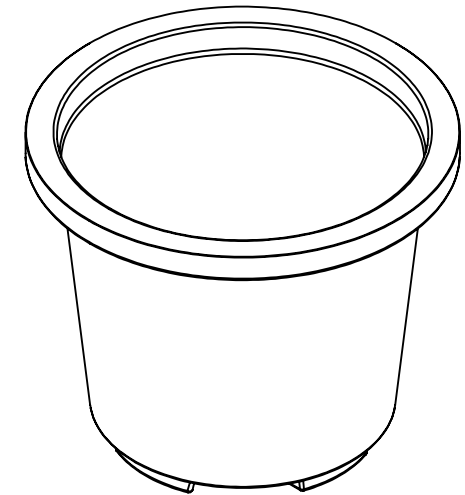
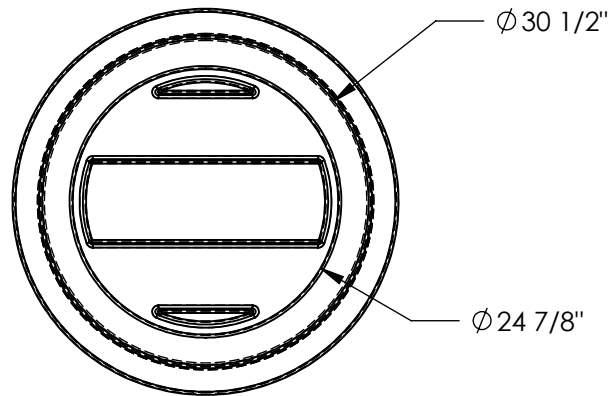
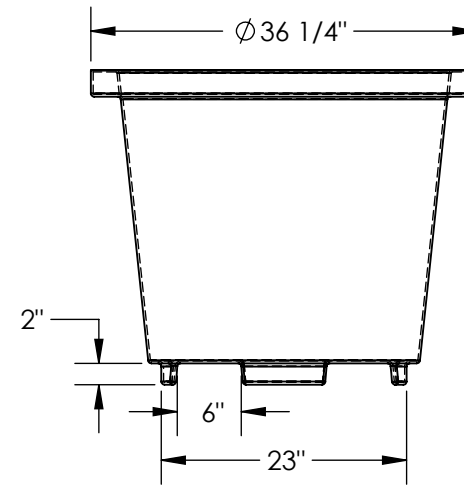
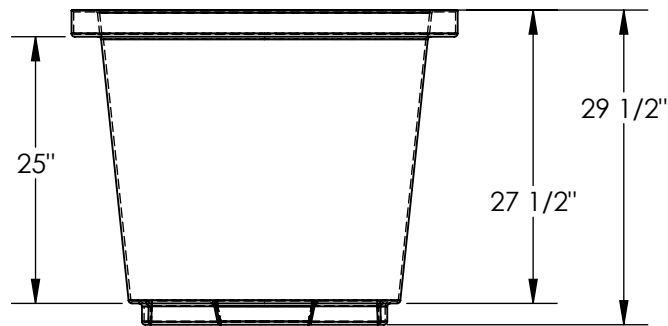


# OVERPACK CONTAINER - SCC-65-OR

APPROX WEIGHT: 25.46 lbs.  
DOES NOT INCLUDE WEIGHT OF POWER OR PACKAGING!!!

\*\*\* ANY ADDITIONS, DELETIONS, OR OMISSIONS MUST BE CORRECTED ON THIS DRAWING AS THIS DRAWING WILL BE CONSIDERED ALL INCLUSIVE \*\*\*

ALL GRAPHICS PROVIDED ARE FOR REFERENCE ONLY. IF CERTAIN DIMENSIONS ARE CRITICAL PLEASE VERIFY THOSE DIMENSIONS WITH YOUR SALESPERSON



DIMENSION TOLERANCE  $\pm 1/4$ "

## STANDARD FEATURES

- MODEL NUMBER IS SCC-65-OR
- OVERALL DIAMETER IS  $\phi 36 \frac{1}{4}$ "
- OVERALL HEIGHT IS 29  $\frac{1}{2}$ "
- MADE FROM LOW-DENSITY POLYETHYLENE
- COLOR IS SAFETY ORANGE - MUNSELL, 5.0YR 6.0/15
- FOR USE WITH 55 GALLON STEEL OR PLASTIC BARRELS
- WORKS WITH DRUM-ST, DRUM-HD, AND DRUM-X-H
- MAX WEIGHT CAPACITY IS 800 LBS
- MAX VOLUME CAPACITY IS 65 GALLONS
- SNAP-ON LID (SCC-65-CVR) SOLD SEPARATELY

## SPECIAL FEATURES

NONE

APPROVAL

I, THE UNDERSIGNED, AGREE THAT THE PRODUCT AS REPRESENTED SATISFIES DESIGN AND DIMENSION REQUIREMENTS. I ALSO ACKNOWLEDGE MY DUTY TO CONFIRM PRODUCT AND INSTALLATION COMPLIANCE WITH ALL APPLICABLE FEDERAL, STATE AND LOCAL REGULATIONS AND STANDARDS.  
**UNITS REQUIRING APPROVAL DRAWINGS OR MODIFIED ARE NON-RETURNABLE**

As drawn       As marked

Signed: \_\_\_\_\_ Date: \_\_\_\_\_

Printed Name: \_\_\_\_\_

LEAD TIME WILL START UPON RECEIPT OF SIGNED APPROVAL DRAWING

|                      |  |                           |
|----------------------|--|---------------------------|
| DISTRIBUTOR'S NAME:  |  | P.O.#                     |
| VESTIL MANUFACTURING |  | X                         |
| DRAWN BY: KGH        |  | DATE: 8/1/2016            |
| REFERENCE: X         |  | SALES: X                  |
| QUOTED LEAD TIME: X  |  | SCALE: 1:18               |
| QUOTE # X            |  | FILE NAME: 31-007-236-001 |