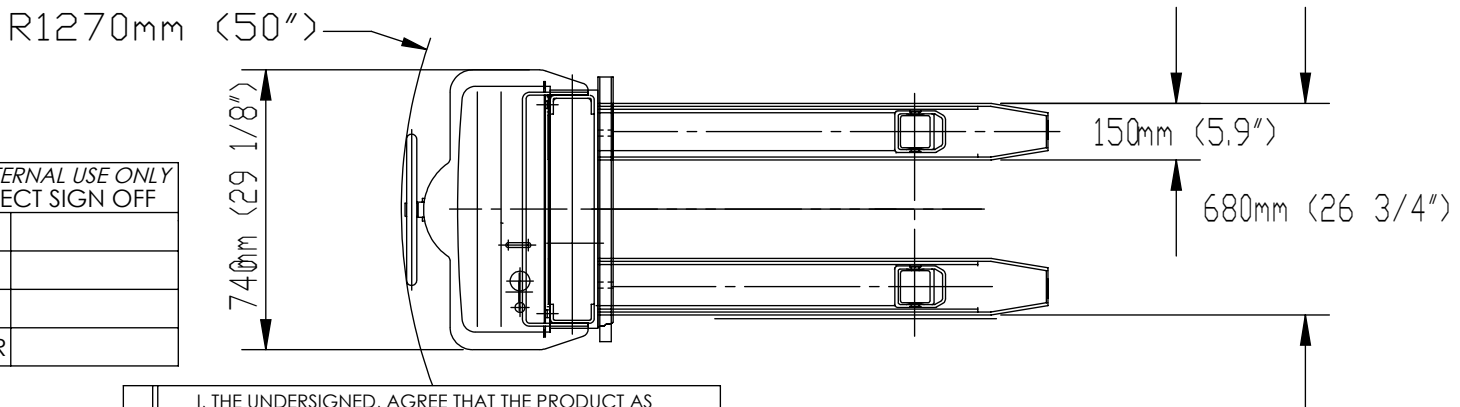
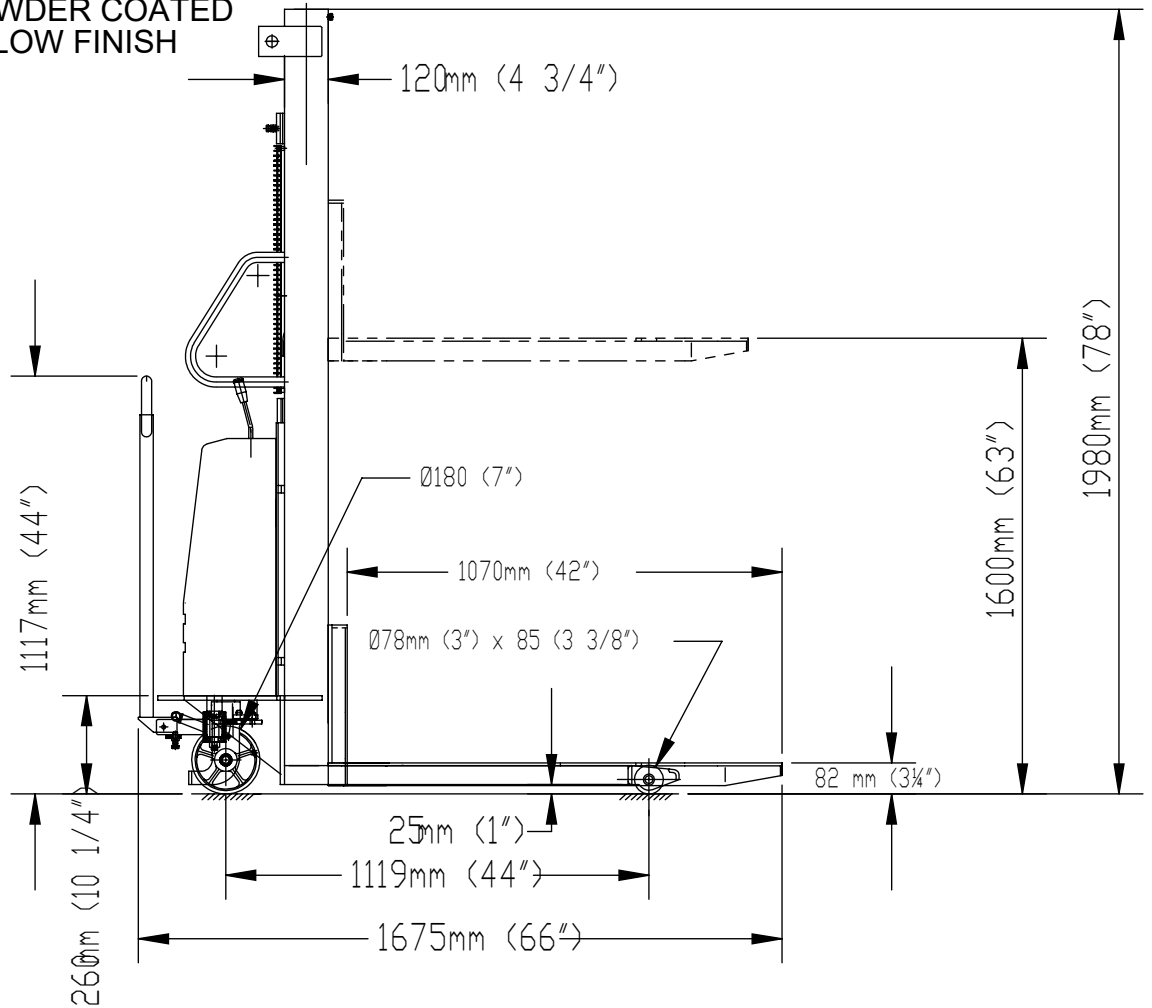


SEMI-ELECTRIC STACKER - SL-63-FF

ANY ADDITIONS, DELETIONS, OR OMISSIONS MUST BE CORRECTED ON THIS DRAWING AS THIS DRAWING WILL BE CONSIDERED ALL INCLUSIVE
 ALL GRAPHICS PROVIDED ARE FOR REFERENCE ONLY. IF CERTAIN DIMENSIONS ARE CRITICAL PLEASE VERIFY THOSE DIMENSIONS WITH YOUR SALESPERSON

STANDARD FEATURES

MODEL #: SL-63-FF
 CAPACITY (UDL): 2000 lbs (900 kg)
 LOWERED HEIGHT: 3 3/8"
 LIFT HEIGHT: 63"
 SINGLE MAST
 OVERALL MAST HEIGHT: 81 7/8"
 FIXED FORKS OVER SUPPORT LEGS
 STEERING WHEEL: Ø7x2"
 FRONT WHEEL: Ø3x3 3/8"
 TOUGH BAKED IN POWDER COATED
 BLACK AND YELLOW FINISH



FOR INTERNAL USE ONLY PROJECT SIGN OFF	
SALES	
ENG.	
FAB.	
POWER	

**A
P
P
R
O
V
A
L**

I, THE UNDERSIGNED, AGREE THAT THE PRODUCT AS REPRESENTED SATISFIES DESIGN AND DIMENSION REQUIREMENTS. I ALSO ACKNOWLEDGE MY DUTY TO CONFIRM PRODUCT AND INSTALLATION COMPLIANCE WITH ALL APPLICABLE FEDERAL, STATE AND LOCAL REGULATIONS AND STANDARDS.
UNITS REQUIRING APPROVAL DRAWINGS OR MODIFIED ARE NON-RETURNABLE
 As drawn As marked

Signed: _____ Date: _____
 Printed Name: _____
 LEAD TIME WILL START UPON RECEIPT OF SIGNED APPROVAL DRAWING

DIMENSION TOLERANCE ± 1/2"

DISTRIBUTOR'S NAME:		P.O.#	X
X		W.O.#	X
DRAWN BY: TM	DATE: 5/7/2018	SALES:	X
REFERENCE: X	SCALE: NTS	FILE NAME:	
QUOTED LEAD TIME: X	QUOTE # X	SL-63-FF	