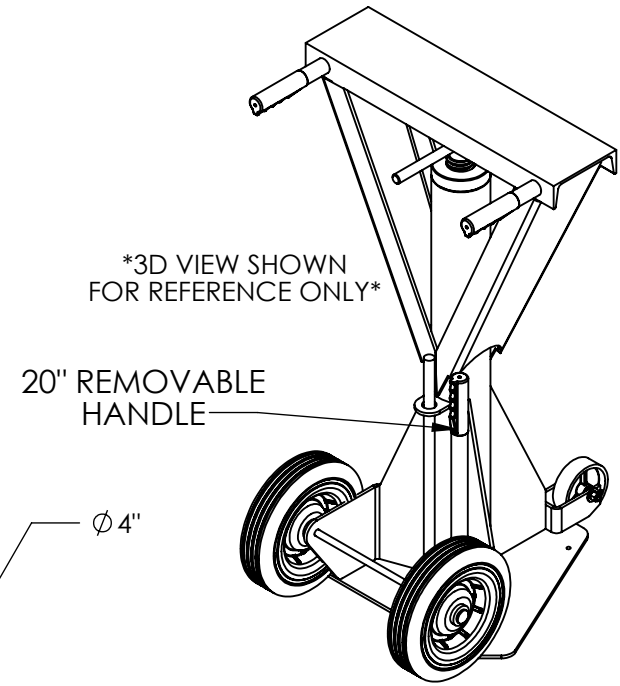
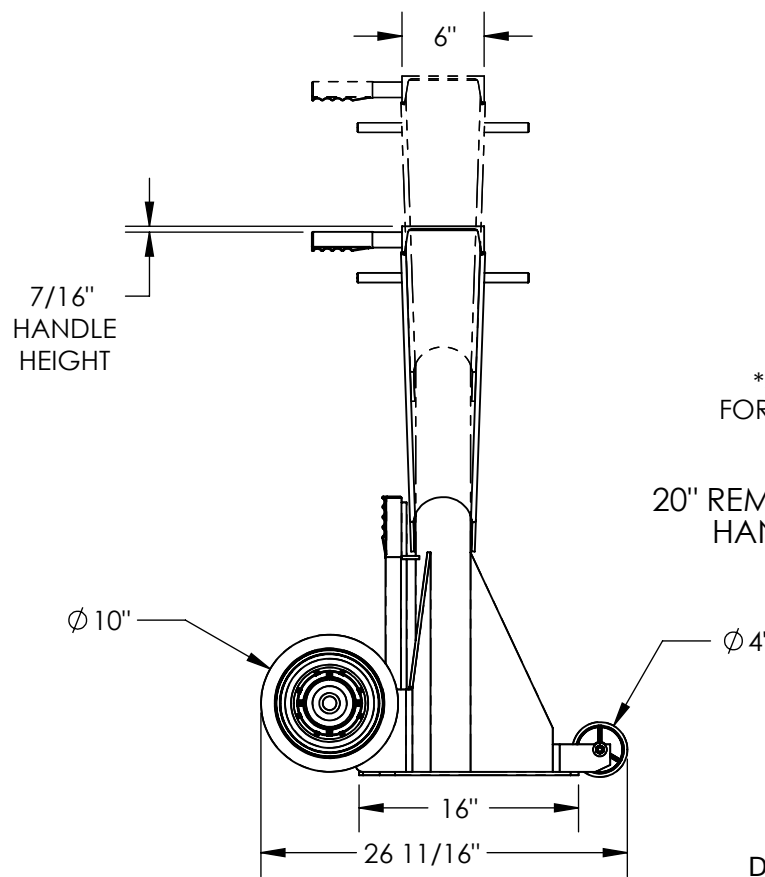
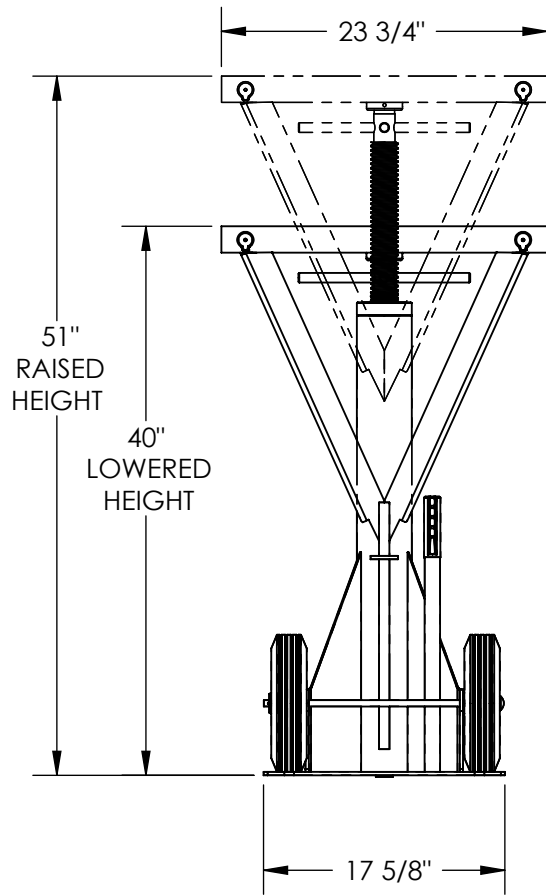


SPIN TOP BEAM JACK - SP-TOP-BEAM

APPROX WEIGHT: 146.70 lbs.
DOES NOT INCLUDE WEIGHT OF POWER OR PACKAGING!!!

*** ANY ADDITIONS, DELETIONS, OR OMISSIONS MUST BE CORRECTED ON THIS DRAWING AS THIS DRAWING WILL BE CONSIDERED ALL INCLUSIVE ***

ALL GRAPHICS PROVIDED ARE FOR REFERENCE ONLY. IF CERTAIN DIMENSIONS ARE CRITICAL PLEASE VERIFY THOSE DIMENSIONS WITH YOUR SALESPERSON



DIMENSION TOLERANCE ± 1/4"

STANDARD FEATURES

- MODEL NUMBER: SP-TOP-BEAM
- OVERALL WIDTH: 23 3/4"
- OVERALL LENGTH: 26 11/16"
- LOWERED HEIGHT: 40"
- RAISED HEIGHT: 51"
- MAX CAPACITY: 100,000 LBS.
- LIFTING CAPACITY: 40,000 LBS.
- (2) Ø10" HARD RUBBER WHEELS
- (1) Ø4" STEEL WHEEL
- HANDLE LENGTH IS 20"
- TOUGH BAKED IN POWDER COATED YELLOW FINISH

SPECIAL FEATURES

NONE

I, THE UNDERSIGNED, AGREE THAT THE PRODUCT AS REPRESENTED SATISFIES DESIGN AND DIMENSION REQUIREMENTS. I ALSO ACKNOWLEDGE MY DUTY TO CONFIRM PRODUCT AND INSTALLATION COMPLIANCE WITH ALL APPLICABLE FEDERAL, STATE AND LOCAL REGULATIONS AND STANDARDS.

ANY MODIFIED UNITS ARE NON-RETURNABLE

[] As drawn [] As marked

Signed: _____ Date: _____

Printed Name: _____

LEAD TIME WILL START UPON RECEIPT OF SIGNED APPROVAL DRAWING

FOR INTERNAL USE ONLY PROJECT SIGN OFF		DISTRIBUTOR'S NAME: VESTIL MANUFACTURING		P.O.# X
SALES		DRAWN BY: BCN DATE: 12/2/2016		W.O.# X
ENG.				SALES: X
FAB.		REFERENCE: X	SCALE: 1:14	FILE NAME: 13-007-039
POWER		QUOTED LEAD TIME: X	QUOTE # X	

MAXIMUM WORKING CAPACITY AT GRADE(%)

0.00%	0.50%	1.00%	1.50%	2.00%	2.50%	3.00%	3.50%	4.00%
100,000	80,000	66,000	55,000	46,000	41,000	37,000	33,000	29,000