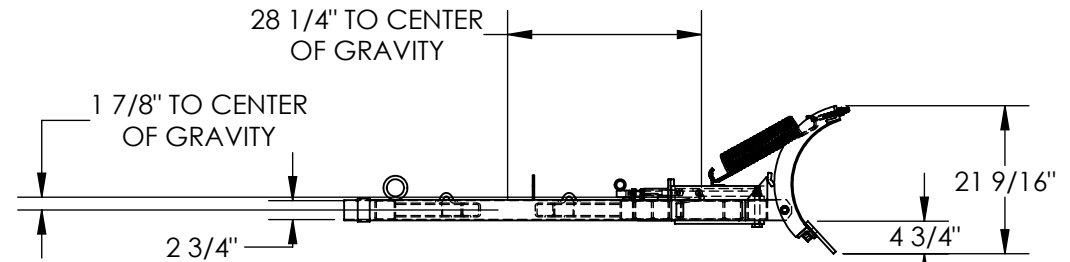
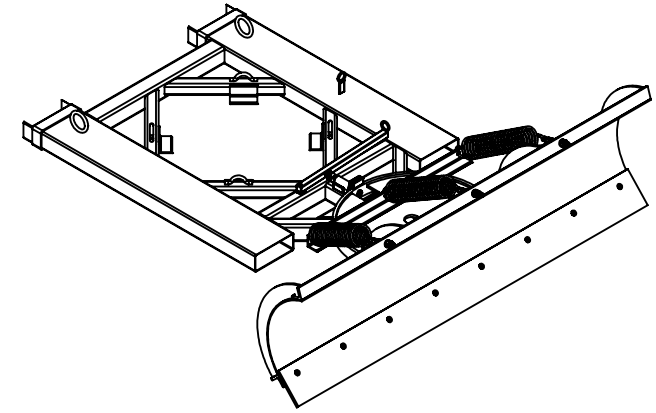
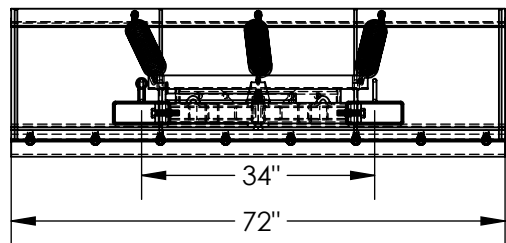
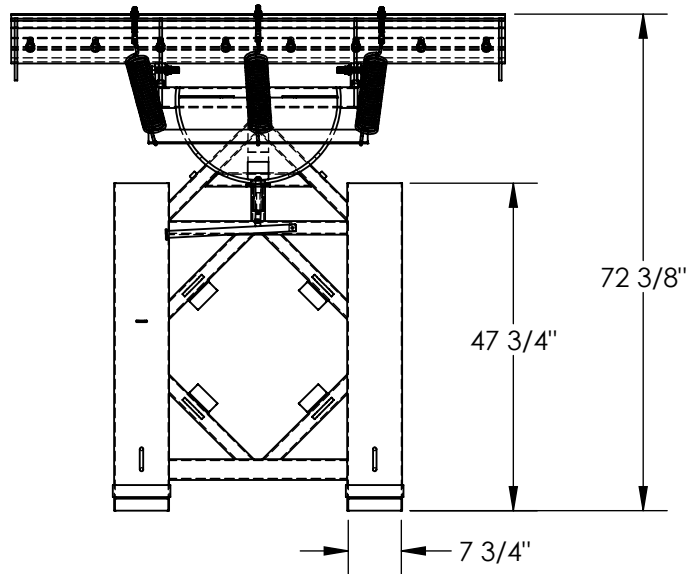


# FORK MOUNTED SNOW BLADE- SPB-748

APPROX WEIGHT: 520 lbs.  
 DOES NOT INCLUDE WEIGHT OF POWER OR PACKAGING!!!

\*\*\* ANY ADDITIONS, DELETIONS, OR OMISSIONS MUST BE CORRECTED ON THIS DRAWING AS THIS DRAWING WILL BE CONSIDERED ALL INCLUSIVE \*\*\*

ALL GRAPHICS PROVIDED ARE FOR REFERENCE ONLY. IF CERTAIN DIMENSIONS ARE CRITICAL PLEASE VERIFY THOSE DIMENSIONS WITH YOUR SALESPERSON



DIMENSION TOLERANCE  $\pm 1/4$ "

## STANDARD FEATURES

- MODEL NUMBER IS SPB-748
- OVERALL WIDTH IS 72"
- MAX FORK WIDTH IS 7 1/2"
- OVERALL LENGTH IS 72 3/8"
- MAX FORK LENGTH IS 48"
- OVERALL HEIGHT IS 21 9/16"
- PLOW WIDTH AT 24 DEGREES IS 66"
- PLOW WIDTH AT 47 DEGREES IS 48"
- FORK CENTERS AT 34" SEPARATION
- INSIDE FORK CLEARANCE IS 24 1/2"
- ROLL PLATE WITH STEEL RIGS IS 5/16"
- FRAME TOUGH BAKED IN POWDER COATED BLACK FINISH
- BLADE TOUGH BAKED IN POWDER COATED YELLOW FINISH

## SPECIAL FEATURES

NONE

APPROX. WEIGHT / LOST LOAD = 520 LBS.  
 MINIMUM EFFECTIVE THICKNESS = FORK LENGTH  
 MINUS 48". FOR FORKS LESS THAN 48" MINIMUM  
 EFFECTIVE THICKNESS = LESS THAN 1"  
 NEVER EXCEED LOAD CENTER  
 RATING PER FORKTRUCK  
 MANUFACTURERS GUIDELINES.  
 DO NOT USE THIS FORK TRUCK  
 ATTACHMENT IF LOAD WILL  
 EXCEED FORK TRUCK MANUFACTURER'S  
 LOAD CENTER RATING

APPROVAL

I, THE UNDERSIGNED, AGREE THAT THE PRODUCT AS REPRESENTED SATISFIES DESIGN AND DIMENSION REQUIREMENTS. I ALSO ACKNOWLEDGE MY DUTY TO CONFIRM PRODUCT AND INSTALLATION COMPLIANCE WITH ALL APPLICABLE FEDERAL, STATE AND LOCAL REGULATIONS AND STANDARDS.  
**UNITS REQUIRING APPROVAL DRAWINGS OR MODIFIED ARE NON-RETURNABLE**

As drawn       As marked

Signed: \_\_\_\_\_ Date: \_\_\_\_\_

Printed Name: \_\_\_\_\_

LEAD TIME WILL START UPON RECEIPT OF SIGNED APPROVAL DRAWING

|                      |             |            |
|----------------------|-------------|------------|
| DISTRIBUTOR'S NAME:  |             | P.O.#      |
| VESTIL MANUFACTURING |             | X          |
| DRAWN BY: NBE        |             | W.O.#      |
| DATE: 07/16/2020     |             | X          |
| REFERENCE: X         | SCALE: 1:28 | SALES: X   |
| QUOTED LEAD TIME: X  | QUOTE #     | FILE NAME: |
|                      | X           | 08-007-259 |